



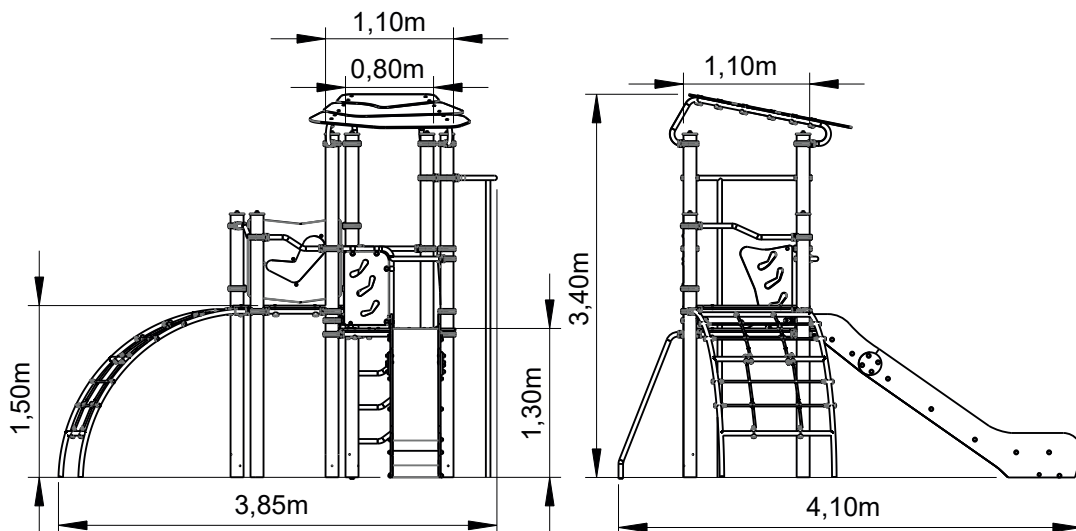
# SANDVIK PLAY

## CERES

14-ELUNIO08

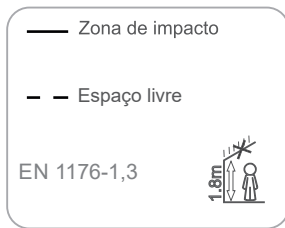


43m <sup>2</sup>	1.50m	3-14	15

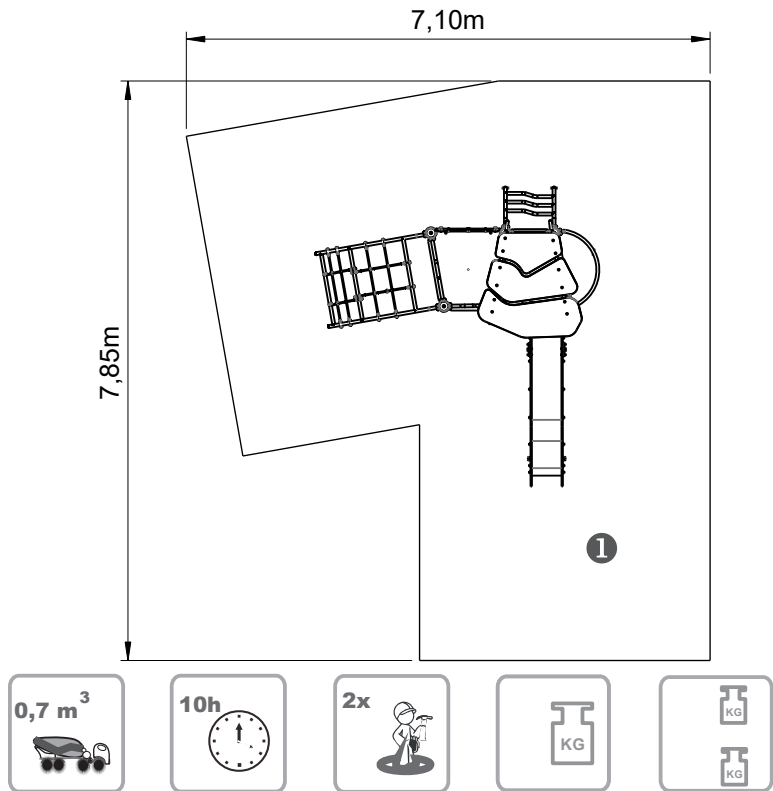


Utilização do equipamento sujeito a condições vigiadas; Zona de segurança: Área mínima requerida pela norma EN 1176-1,6  
Utilización del equipo sujeto a condiciones vigiladas; Zona de seguridad: Área mínima requerida por la norma EN 1176-1,6  
Use of equipment subject to supervised conditions; Safety zone: Minimum area required by EN 1176-1,6  
Utilisation d'équipement soumis à des conditions supervisées; Zone de sécurité: Surface minimale requise par l'EN 1176-1,6



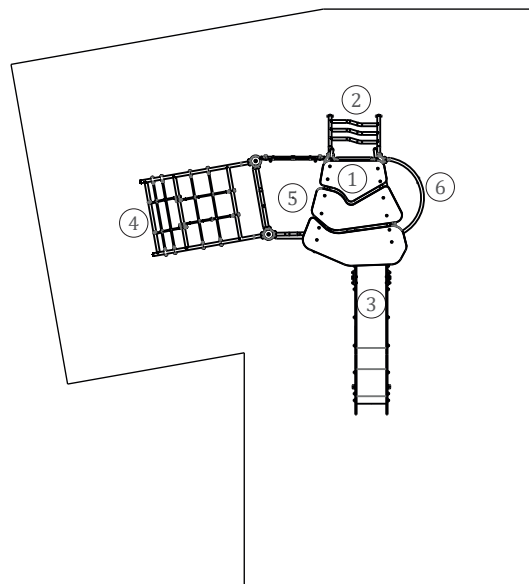


.....	①
	1,50
	43
	43



INFORMAÇÃO TÉCNICA / INFORMACIÓN TÉCNICA / TECHNICAL INFORMATION / INFORMATIONS TECHNIQUES

- 1 - Torre Solar 1.30m
- 2 - Escadote Solar 1.30m
- 3 - Escorrega Inox 1.30m
- 4 - Rede Ceres 1.50m
- 5 - Torre Ceres 1.50m
- 6 - Varão Bombeiro 1.30m





#### Panels

HDPE: High density polyethylene mono or two color. Being a polymer is characterized by its resistance to chemicals and corrosion. Due to its elasticity and lightness, it offers high impact resistance and is very difficult to break. The non-slip surface provides safety for children and its synthetic base prevents the growth of bacteria and fungi. It does not require any maintenance;

#### Acrylic

composed of 70% coniferous fibers and 30% thermosetting resin, weather resistant (sun, rain, humidity, etc.);

#### Net

ropes Ø16mm reinforced in steel covered by polypropylene fibers, fittings and connection in HDPE plastic with U.V. protection, fastening elements in hot galvanized steel;

#### Metal parts

Sliding surface: AISI 304 stainless steel plate, folded and rolled in one piece;

Tubes: Stainless steel AISI 304 of Ø40mm and Ø114mm;

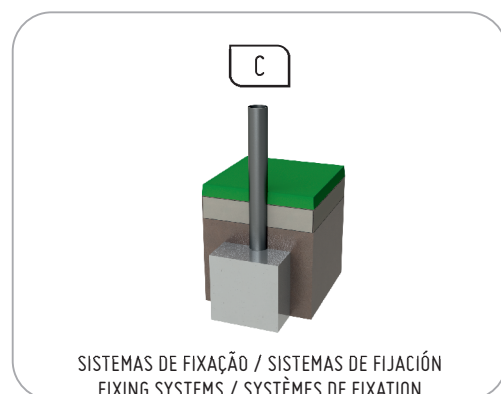
#### Fixation System

Type C – Standard composed of plumbing applied directly to the ground and cast with concrete;

#### Screws and accessories

Screws: Zinc-plated steel or optionally AISI 304 stainless steel;

Capsules: PP polypropylene plastic;





Fun: While having fun, children acquire immense abilities, from physical abilities to social interactions.



Socializing: Socialization and imagination are necessary throughout the game. All this creates a relationship between children and awakens the sense of coexistence and solidarity.



Play: Develops patience, sharing and sporting spirit.



Sliding: The sloping surface allows the child to slide at high speed. The sensation of speed makes you feel alive and learn to control your movements by exercising reflexes and motor skills.



Climb: It develops children's motor skills, body control, balance and coordination, stimulating motor ability and strength in movements.



Glide: This activity provides a fascinating feeling which in turn helps to develop balance and coordination by stimulating the nervous system.