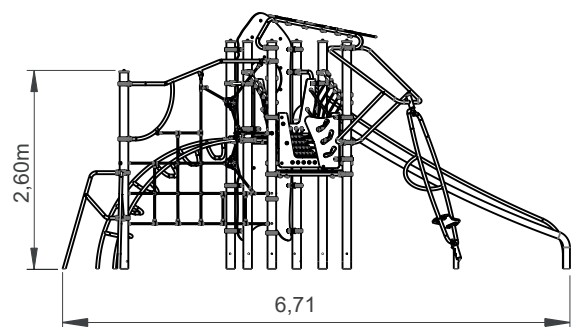
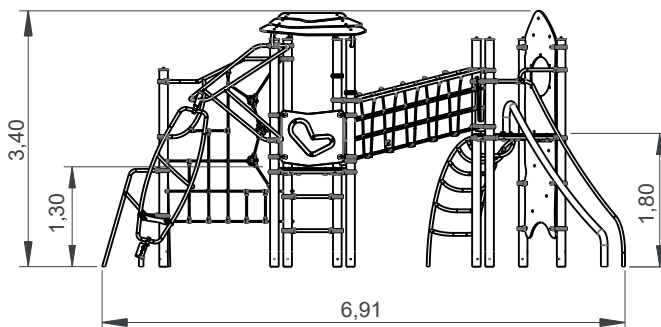
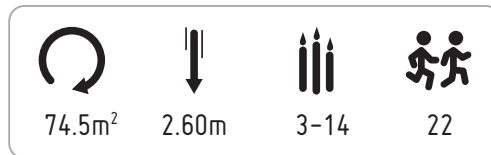




# SANDVIK PLAY

## LUNA

14-ELUNIO13



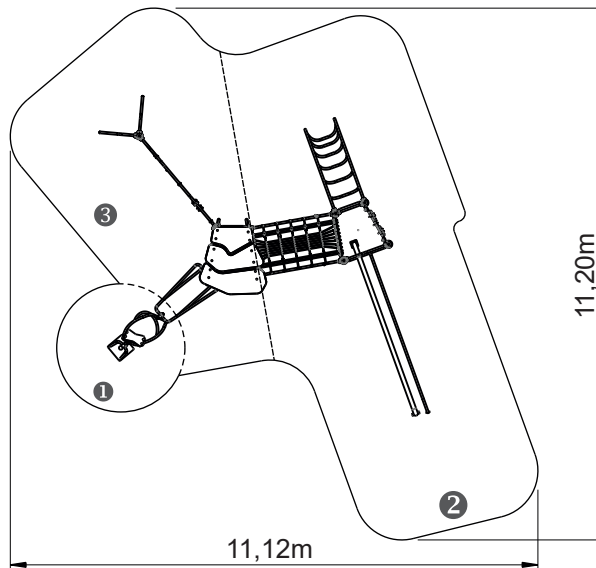
Utilização do equipamento sujeito a condições vigiadas; Zona de segurança: Área mínima requerida pela norma EN 1176-1,6  
Utilización del equipo sujeto a condiciones vigiladas; Zona de seguridad: Área mínima requerida por la norma EN 1176-1,6  
Use of equipment subject to supervised conditions; Safety zone: Minimum area required by EN 1176-1,6  
Utilisation d'équipement soumis à des conditions supervisées; Zone de sécurité: Surface minimale requise par l'EN 1176-1,6



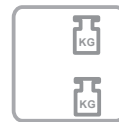
GB.047.01

— Zona de impacto  
 - - Espaço livre

EN 1176-1,3

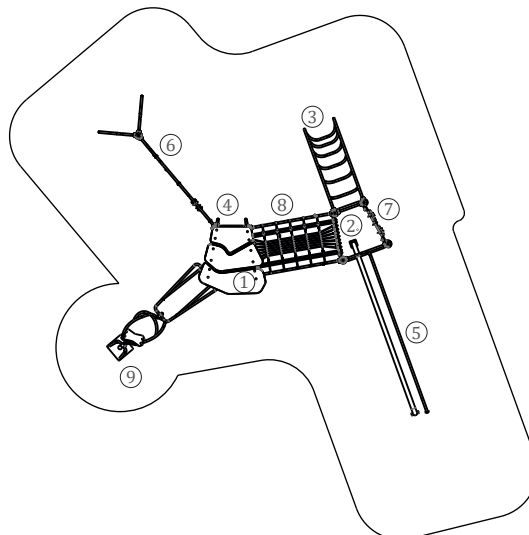


.....	1	2	3
	0,50	1,80	2,60
	8,5	44,5	21,5
	74,5		



INFORMAÇÃO TÉCNICA / INFORMACIÓN TÉCNICA / TECHNICAL INFORMATION / INFORMATIONS TECHNIQUES

- 1 - Torre Solar 1.30m
- 2 - Torre Luna 1.80m
- 3 - Escadote Ariane 1.80m
- 4 - Escadote 1.30m
- 5 - Tobógan Turbo 1.80m
- 6 - Rede Escalada 2.60m
- 7 - Parede Escalada Luna 1.80m
- 8 - Ponte Solar 1.80m
- 9 - Giróstato 0.50m





#### Panels

HDPE: High density polyethylene mono or two color. Being a polymer is characterized by its resistance to chemicals and corrosion. Due to its elasticity and lightness, it offers high impact resistance and is very difficult to break. The non-slip surface provides safety for children and its synthetic base prevents the growth of bacteria and fungi. It does not require any maintenance;

#### Acrylic

composed of 70% coniferous fibers and 30% thermosetting resin, weather resistant (sun, rain, humidity, etc.);

#### Net

ropes Ø16mm reinforced in steel covered by polypropylene fibers, fittings and connection in HDPE plastic with U.V. protection, fastening elements in hot galvanized steel;

#### Metal parts

Sliding surface: AISI 304 stainless steel plate, folded and rolled in one piece;

Tubes: Stainless steel AISI 304 of Ø40mm and Ø114mm;

#### Fixation System

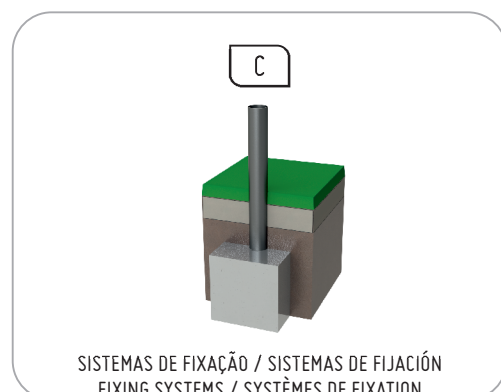
Type C – Standard composed of plumbing applied directly to the ground and cast with concrete;

#### Screws and accessories

Screws: Zinc-plated steel or optionally AISI 304 stainless steel;

Capsules: PP polypropylene plastic;

100%





Fun: While having fun, children acquire immense abilities, from physical abilities to social interactions.



Socializing: Socialization and imagination are necessary throughout the game. All this creates a relationship between children and awakens the sense of coexistence and solidarity.



Play: Develops patience, sharing and sporting spirit.



Glide: This activity provides a fascinating feeling which in turn helps to develop balance and coordination by stimulating the nervous system.



Climb: It develops children's motor skills, body control, balance and coordination, stimulating motor ability and strength in movements.