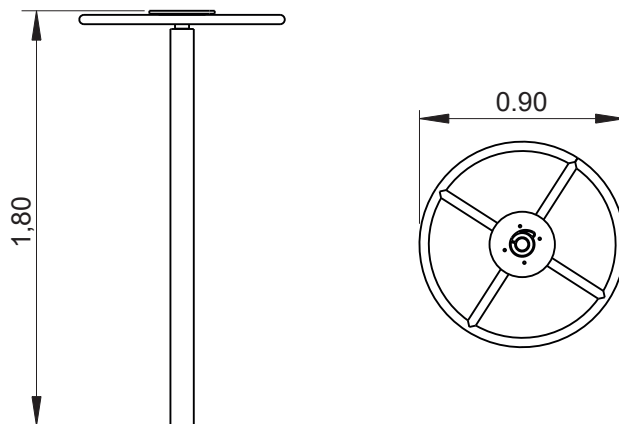


KARUSELL SPINNY

14-ELFUC007




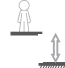
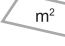
Utilização do equipamento sujeito a condições vigiadas; Zona de segurança: Área mínima requerida pela norma EN 1176-1,6
 Utilización del equipo sujeto a condiciones vigiladas; Zona de seguridad: Área mínima requerida por la norma EN 1176-1,6
 Use of equipment subject to supervised conditions; Safety zone: Minimum area required by EN 1176-1,6
 Utilisation d'équipement soumis à des conditions supervisées; Zone de sécurité: Surface minimale requise par l'EN 1176-1,6

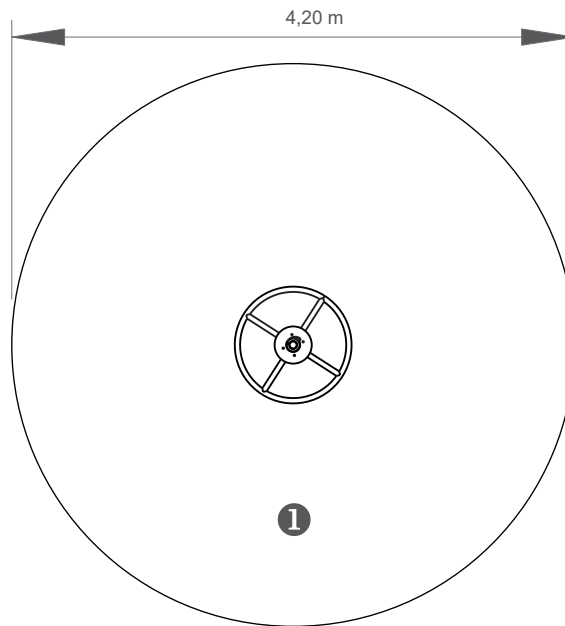


— Zona de impacto


- - Espaço livre

EN 1176-1,5 

.....	
	1.80
	14
	14



0,08m³



1h45m



2x



KG

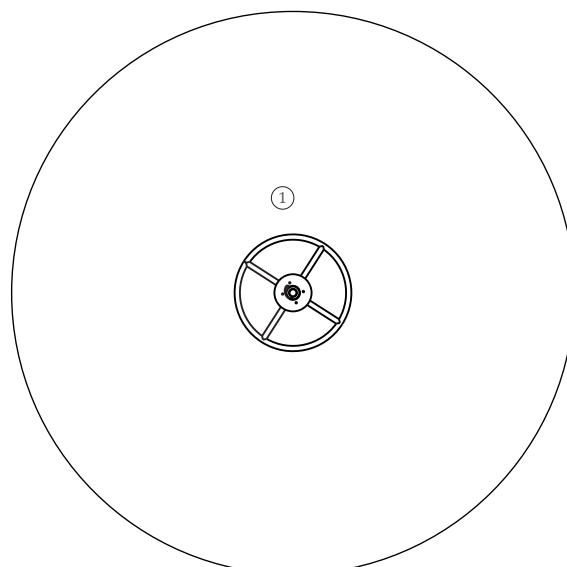


KG



INFORMAÇÃO TÉCNICA / INFORMACIÓN TÉCNICA / TECHNICAL INFORMATION / INFORMATIONS TECHNIQUES

1 - Rotação  1.80m





Panels

HDPE: High density polyethylene mono or two color. Being a polymer is characterized by its resistance to chemicals and corrosion. Due to its elasticity and lightness, it offers high impact resistance and is very difficult to break. The non-slip surface provides safety for children and its synthetic base prevents the growth of bacteria and fungi. It does not require any maintenance;

Metal Pieces

Pipes: Acier inoxydable AISI Ø40mm et Ø110mm;

Fixation System:

Type C – Standard composed of plumbing applied directly to the ground and cast with concrete;

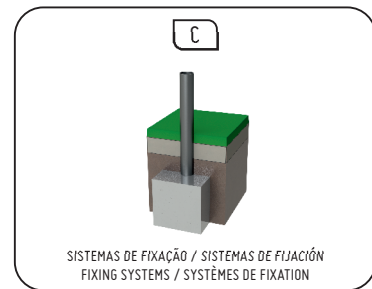
Bearings:

Conical – With conical inner and outer ring tracks and conical rollers. They are suitable for supporting combined loads, ie axial and radial loads acting simultaneously. The lines of projection of the tracks converge at a common point on the axis of the bearing to offer authentic rolling movement and low friction;

Screws and accessories

Screws: Zinc-plated steel or, optionally, AISI 304 stainless steel;

Capsules: PP polypropylene plastic;



FUNÇÕES LÚDICAS/ FUNCIONES LÚDICAS / RECREATIONAL FUNCTIONS / FONCTIONS RÉCRÉATIVES



Fun

While having fun, children acquire immense abilities, from physical abilities to social interactions.



Socializing

Socialization and imagination are necessary throughout the game. All this creates a relationship between children and awakens the sense of coexistence and solidarity.



Play

Develops patience, sharing and sporting spirit.



Rotate

Provides a sense of freedom. Improves body control, balance and coordination.

