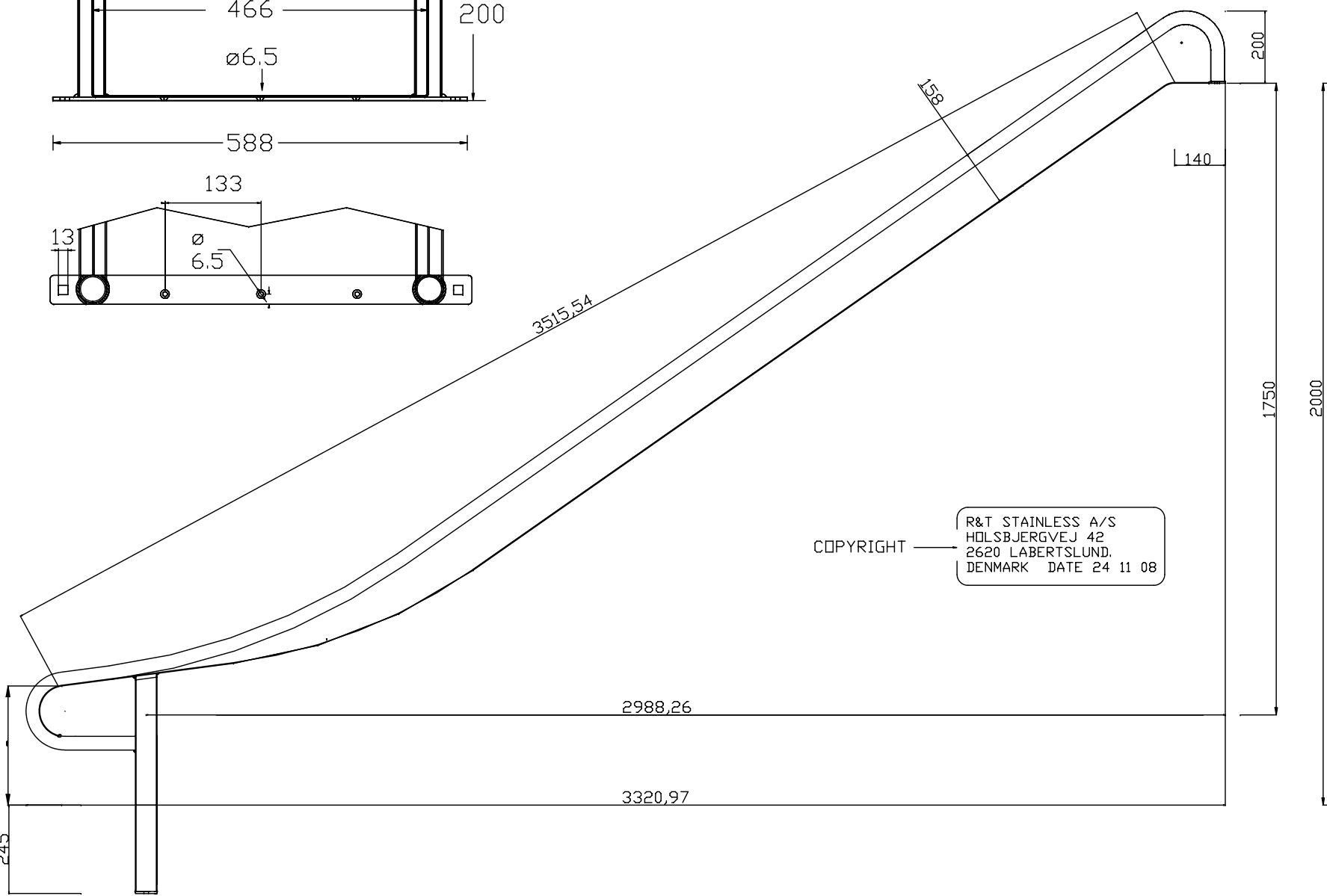
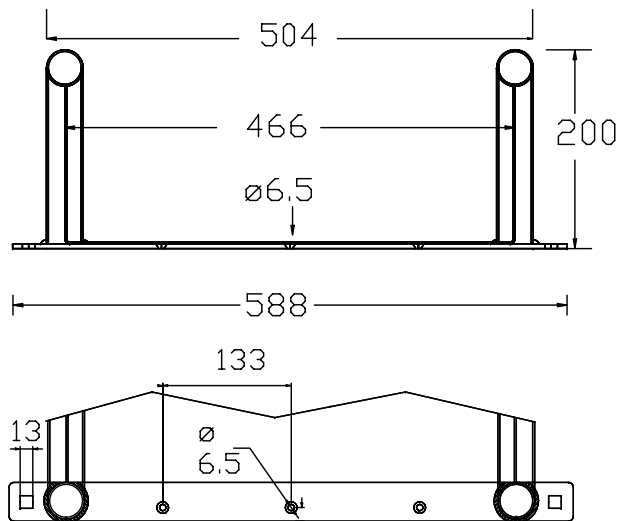


38X2MM TUBE, PLATE 2MM

STAINLESS STEEL SLIDE ART.NR.11050 1750 2000



COPYRIGHT

R&T STAINLESS A/S
HOLSBJERGVEJ 42
2620 LABERTSLUND,
DENMARK DATE 24 11 08

