

Pioneer Play

PNRE010.005

Pioneer Apollonius 005

This pioneer is equipped with a 16 mm thick climbing wall made of trespac. Consists of a climbing net, climbing wall, 1 big seat, 8 climbing tubes.



PNRE010.005

Pioneer Apollonius 005



1+



4 - 12



2.5 x 2.4 x 2.7 m



6.0 x 6.0 m



6.0 x 6.0 m



2.0 m

Playfunctions

Climbing, sitting

Material

The basic material consists of stainless steel, Trespa (thickness 16 mm) and only high-performance plastics. All materials are each attached with stainless steel fasteners.

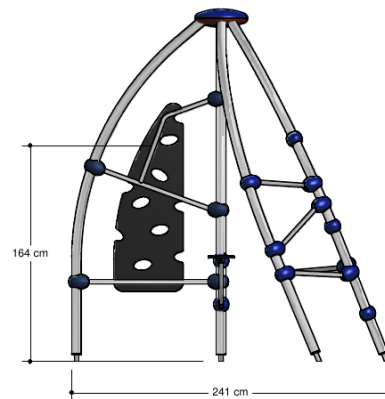
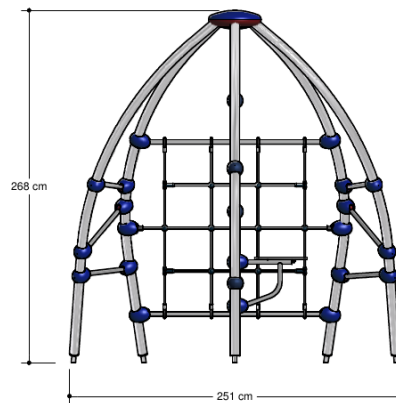
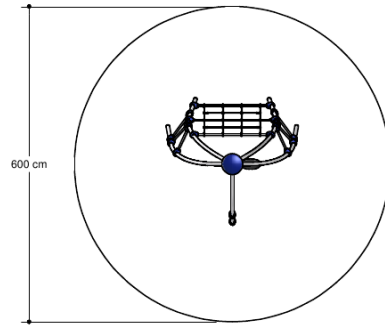
Nets and ropes of 16 mm. Hercules vandal-resistant rope.

Anchorage

Stainless steel anchor mounted on stand by stainless steel fasteners. Concrete is not required

Comments

If the soil does not contribute to the stability it may be necessary to add concrete.



Opvangzone

Impact area

□ WAS, Dutch law

□ EN1176

Obstakelvrije zone

Obstacle free zone

□ WAS, Dutch law

□ EN1176

