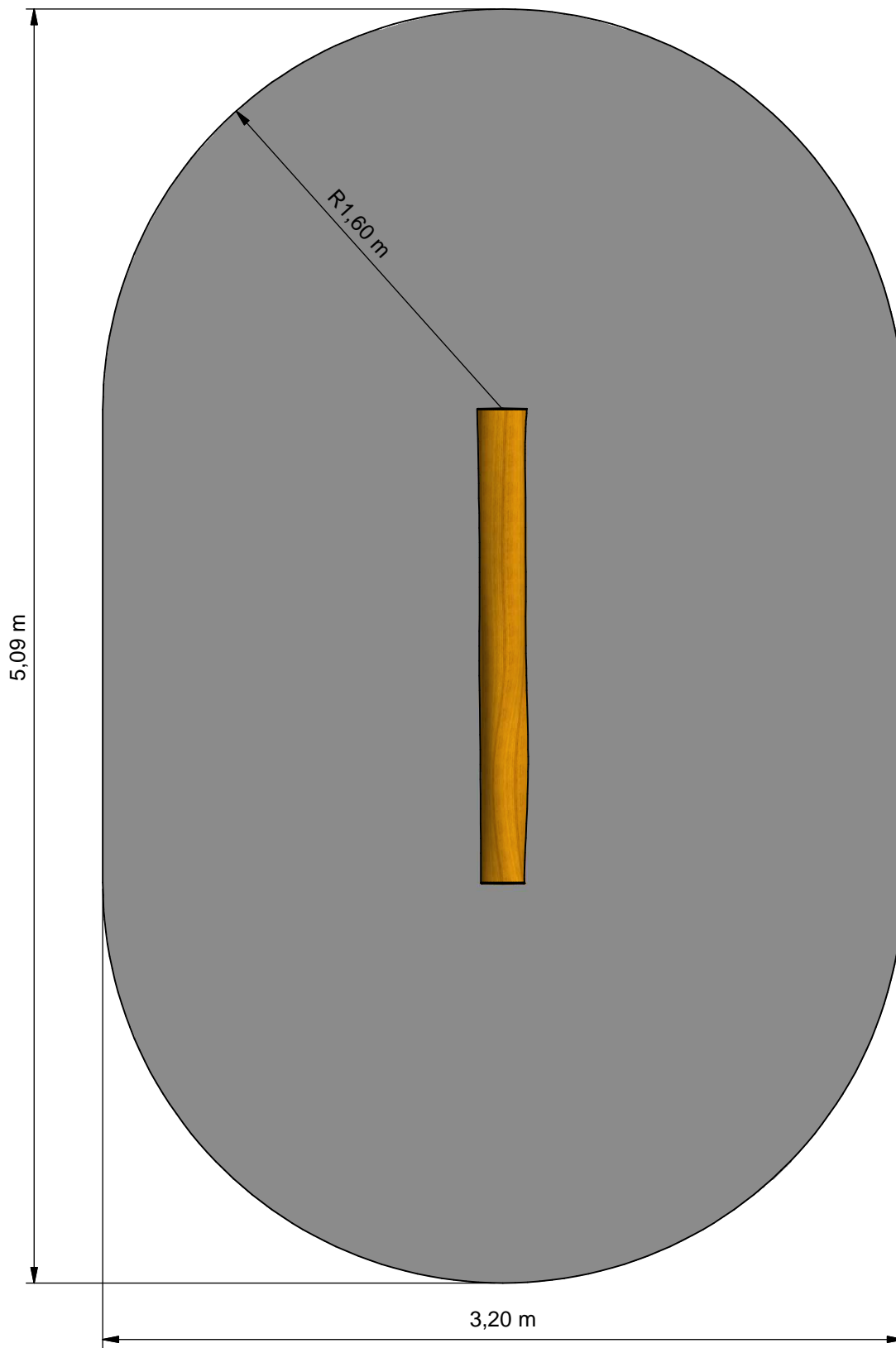




Balancing beam solo



PSTE000.070



- Opvangzone
Impact area
- Obstakelvrije zone
Obstacle free zone



Benaming
Title Balansbalk

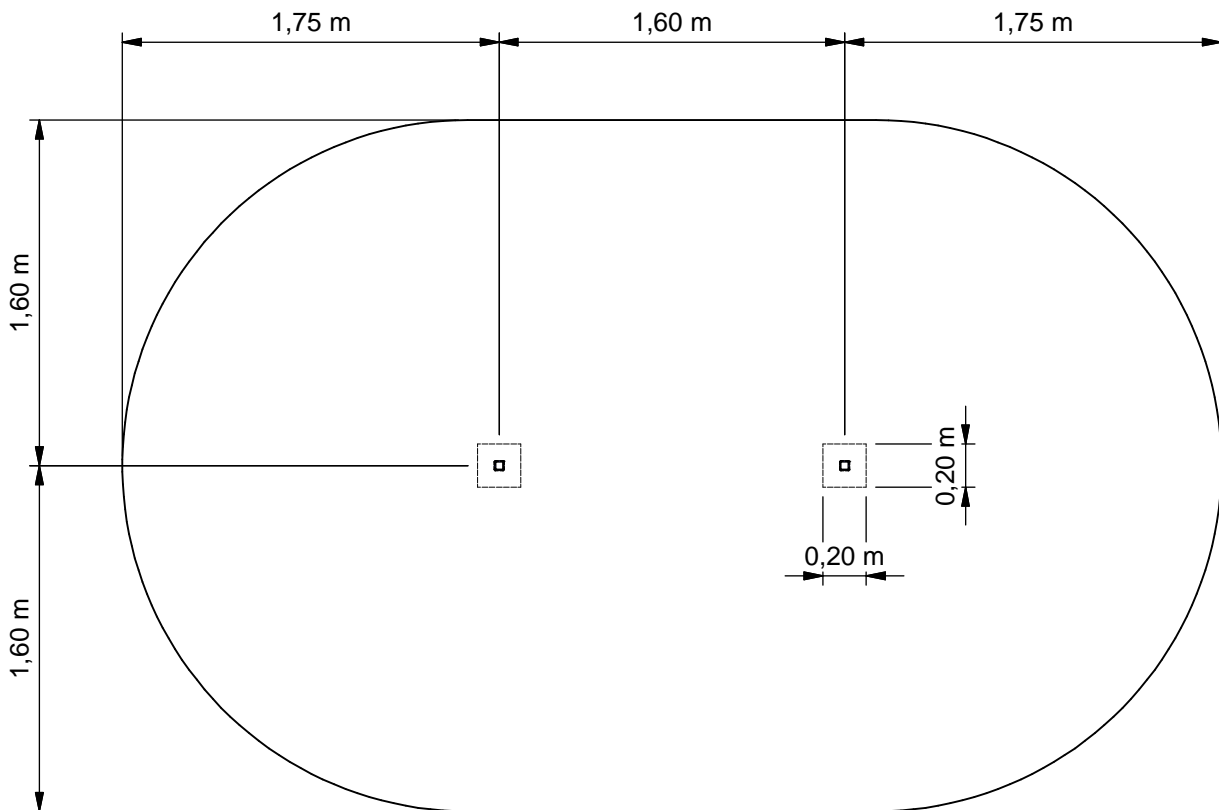
Opmerking
Comment Solo

Datum
Date 24-9-2013

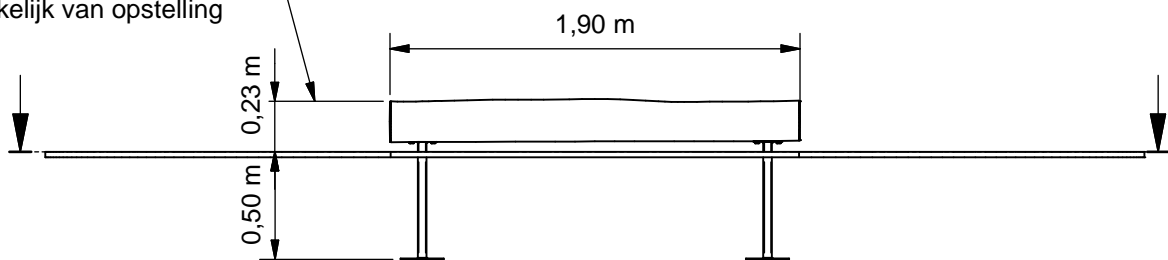
Tekening
Drawing

TOE PST 000 070

Obstakelvrije zone *Obstacle free zone*



Hoogte (max 0,30 m) en diepte afhankelijk van opstelling



Benaming
Title | Balansbalk

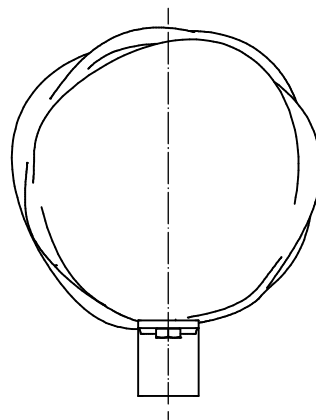
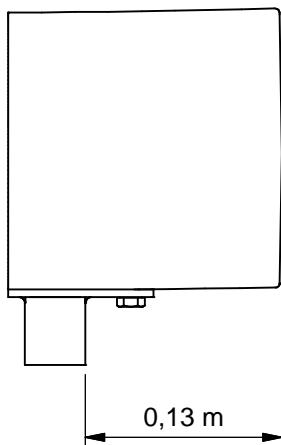
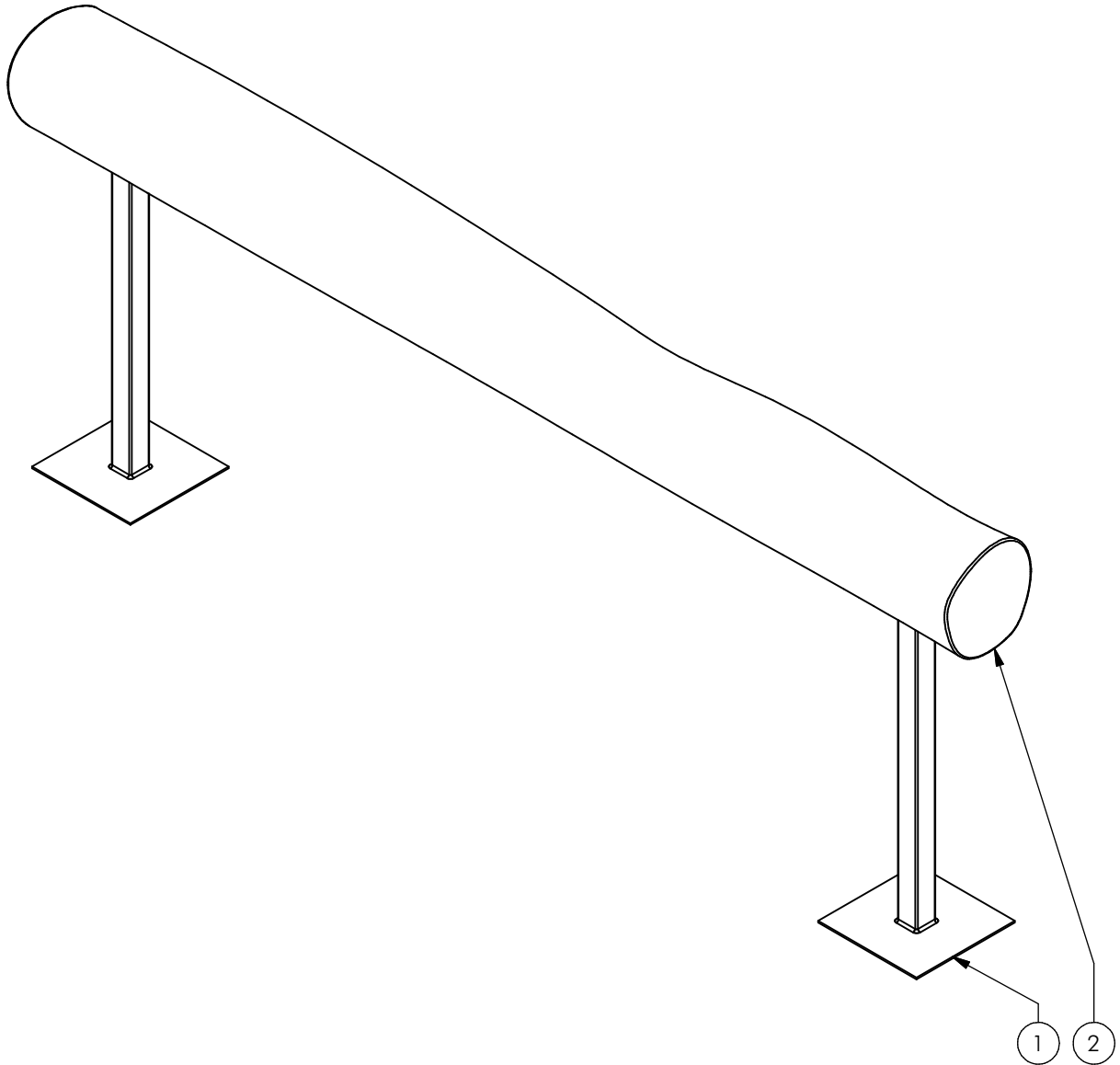
Opmerking
Comment | Solo

Datum
Date | 24-9-2013

Tekening
Drawing

TOE PST 000 070

Bodemplan *Groundplan*



Nr	#	Type	Progr.	Volgnr	Bew.	Rev.	Benaming	Opmerking
1	2	MOD	PST	007	110		Grondanker	Balansbalk
2	1	MOD	PST	007	111	A	Balk	Balans solo



Benaming
Title Balansbalk

Opmerking
Comment Solo

Datum
Date 24-9-2013

Tekening
Drawing

TOE PST 000 070

Modules Modules

Geleverde delen:

A - balansbalk met onderstel 2,1x0,2x0,7 m [60 kg]

Bevestiging sets:

1 - n.v.t.

Montagevolgorde:

- 1 - graaf de gaten volgens het bodemplan en plaats hierin het toestel
- 2 - controleer of het toestel voldoet aan de afmetingen zoals op blad 'afmetingen'
- 3 - dicht de gaten en verdicht het zand

Controles:

- 1 - correcte opbouw en alle bevestigingsmiddelen
- 2 - de uiterste hoogte van het toestel (<40 cm)
- 3 - controleer de afmetingen van de valbodem t.o.v. het toestel

Supplied parts:

A - balance beam with support 2,1x0,2x0,7 m [60 kg]

Mounting kits:

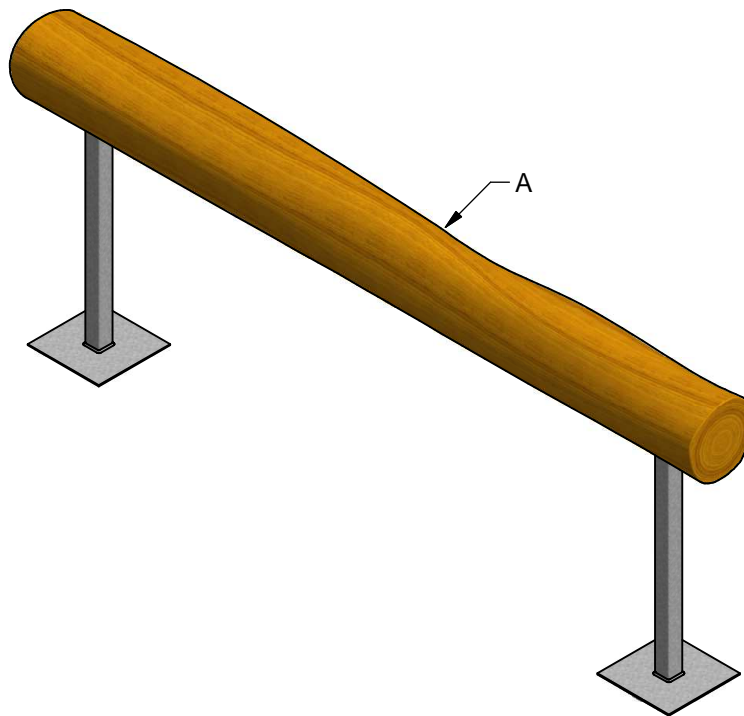
1 - n.a.

Assembly sequence:

- 1 - dig the holes according to the ground plan and place the play equipment
- 2 - check that the equipment conforms to the dimensions shown on sheet 'dimensions'
- 3 - close the holes and compact the sand

Checks:

- 1 - correct assembly and all the fasteners
- 2 - the maximum height of the beam (<40 cm)
- 3 - check the dimensions of the safety area compared to the play equipment



PSTE000.070

Balancing beam solo

LOGBOOK

(Onderstaand logboek kan gebruikt worden om te voldoen aan de eisen, gesteld in artikel 14 van het Warenwetbesluit Attractie- en Speeltoestellen)

Type indication	Adventure Play
Product code	PSTE000.070
Name of equipment	Balansbalk Solo
Maximum height of fall	0,3 m
Year of construction	2017
Certificate	032361
inspection authority	TUV Nederland QA BV De Waal 21c, Best - 5684 PH Best
Name manufacturer	BOERplay Hyacintstraat 2 - 4255 HX Nieuwendijk Phone: +31 (0)183 40 23 66 Fax: +31 (0)183 40 35 64
name installer	_____ _____
Description of equipment	Balancing beam solo
Location of equipment	_____
Data about the owner of the play equipment	
Name:	_____
Address:	_____
Postcode and town:	_____
Contact person:	_____
Telephone number:	_____
Data about the administrator of the play equipment	
Name:	_____
Address:	_____
Postcode and town:	_____
Contact person:	_____
Telephone number:	_____

LOGBOOK

Inspection and maintenance intervals



Nr.	Inspection	Maintenance	months between inspections
1	Verify equipment's stability, junctions and missing parts. Inspect bolts, screws and nuts for absence, jams, corrosion and wear.	Add missing parts, secure joints, apply missing fixing agent and replace corroded parts.	1
2	Check suspension for wear.	Replace worn parts and/or remove non-functioning parts.	1
3	Inspect rotating parts such as hinges, rolling-element bearings, etc. for wear and acceptability.	Replace worn parts and/or remove non-functioning parts.	1
4	Check wood for splinters, unacceptable damage and signs of rot. Especially at ground level.	Repair damage. Replace affected wood. Smoothen splintered wood and sharp edges.	1
5	Inspect foundation for stability, tearing and coverage.	Restore foundation and covering material.	3
6	Examine rubber and synthetic parts for wear, damage and break.	Replace original parts.	3
7	Inspect metal for corrosion and damage in the coating.	Restore any damaged coating (after removing rust and applying primer).	6
8	Check ropes, cables, chains and nets for wear and damage. Steel cables and nets which are tensioned must be checked for tension.	Replace parts where necessary. Steel cables and nets must be tensioned.	3
9	Inspect equipment for unsafe changes and additions.	Remove unsafe additions and correct unsafe changes.	1
10	Inspect safety surfaces.	Restore and repair where necessary.	1

Remarks

1. If used intensively, all points require extra attention.
2. Extreme weather conditions and locations may require a higher inspection frequency. Discuss this with the supplier.
3. Vandalism-sensitive locations require stricter inspections, possibly daily.
4. Check the terrain regularly for items that do not belong there, are unsafe or may be used wrongly. Examples are poisonous plants, glass shards, etc. Frequency depends on strain.
5. Remember that bad maintenance leads to unsafe conditions and notably faster impoverishment of the playground area.
6. Replacement parts can be ordered at the manufacturer with the part numbers on the module drawing. Drawings can be found in de user guide.
7. The impact area shall be provided with impact attenuating surface according to the specified falling height.
8. This list is conform the CEN-standard "playground equipment and surfacing NEN-EN 1176-7".

Warenwet

Certificaat van Typeonderzoek Type Examination Certificate

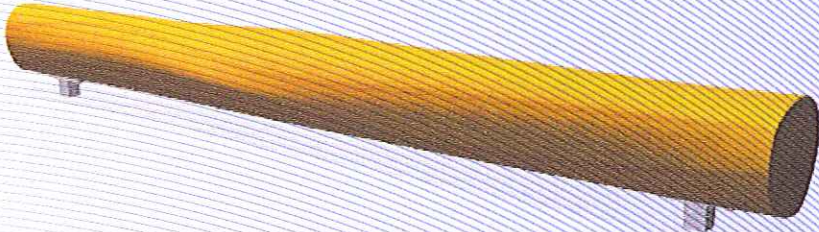
afgegeven door issued by

TÜV Nederland QA BV

aangewezen bij ministeriële beschikking van
4 mei 2012, nr. VGP 3113590


commissioned by departmental order
of 4 May 2012, no. VGP 3113590

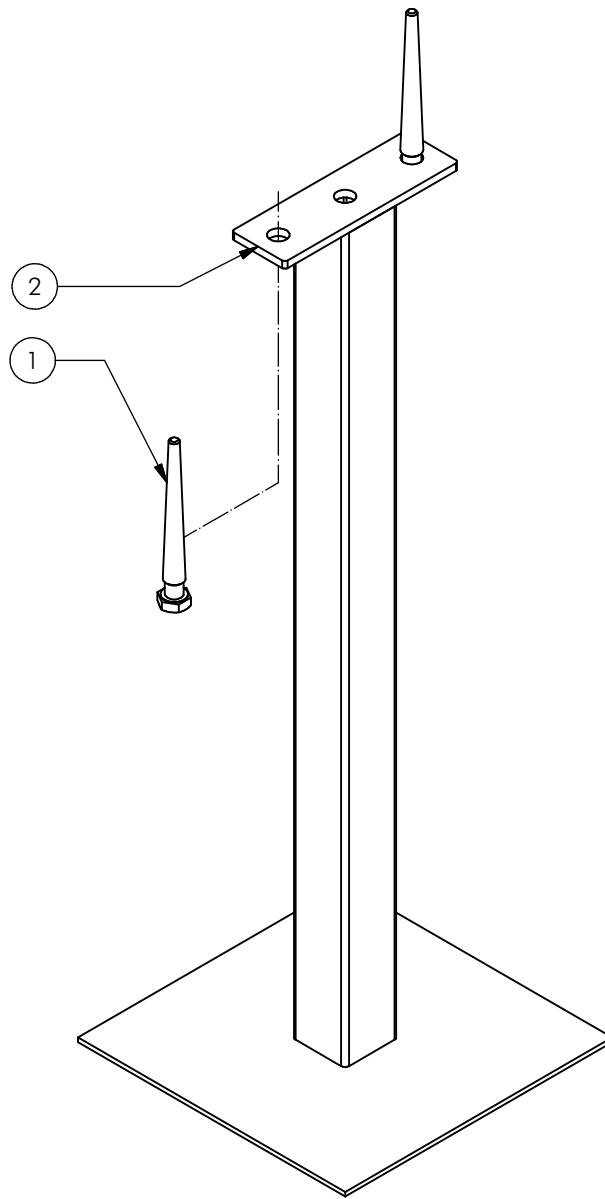


Certificaat nr. Certificate nr.	032361TA_20121010	Dossiernr. File nr.	032361TA
Productomschrijving Product description	Balanstoestel		
Evt. nadere aanduidingen Further indications	1 horizontale robinia stam		
voor nadere informatie zie bijbehorend rapport met gelijkloidend dossiernr. for further information see associated report with identical file nr.			
Eigenaar / certificaathouder en adres Owner/certificate holder and address	Boer Speeltoestellen B.V. Postbus 10 4255 ZG NIEUWENDIJK		
Soort toestel Category of equipment	Speeltoestel		
Fabrikant Manufacturer	Boer Speeltoestellen B.V. Postbus 10 4255 ZG NIEUWENDIJK		
Type/Serienummer Type/Serial number	PST.000.070 /	in te vullen door de fabrikant to be filled out by the manufacturer	
Jaar van fabricage Year of construction	vanaf since 2012		
Leverancier Supplier	Boer Speeltoestellen B.V. Postbus 10 4255 ZG NIEUWENDIJK		
Jaar van levering Year of supply			in te vullen door de leverancier to be filled out by the supplier
Datum keuring Date of examination	21-06-2012 – 10-10-2012		

TÜV Nederland QA BV, de Waal 21C, NL-5684 PH Best verklaart, dat het bovenaangehaalde toestel voldoet aan de vervaardigingvoorschriften genoemd in het Warenwetbesluit attractie- en speeltoestellen (met als leidraad de normatieve documenten NEN-EN 1176:2008).

TÜV Nederland QA BV declares that the here above mentioned equipment meets the safety and health requirements mentioned in the Dutch law "Warenwetbesluit attractie- en speeltoestellen" (guided by normative documents EN 1176:2008).

Namens het bestuur, For the board, A.C. Boon Directeur	
---	--



Nr	#	Type	Progr.	Volgnr	Bew.	Rev.	Benaming	Opmerking
1	2	BSR	022	010	100		Houtdraadbout	ø10 X 100 - RVS A2-70
2	1	SME	SOL	032	372	D	Grondanker	Goal



Benaming
Title Grondanker

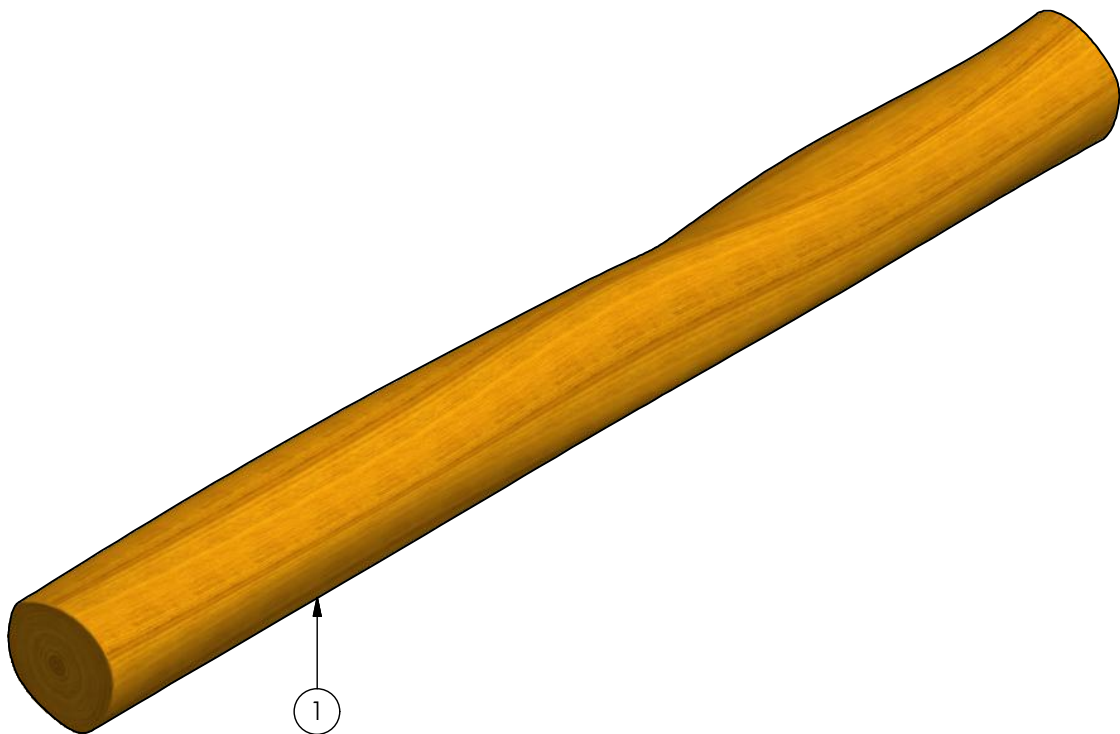
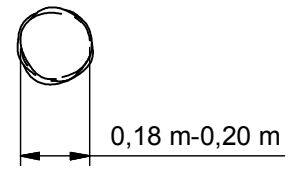
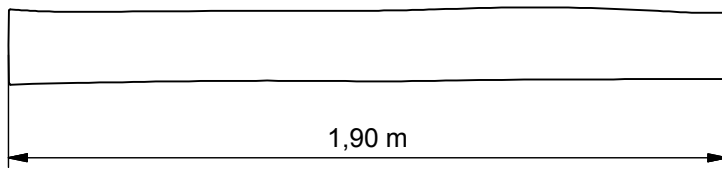
Opmerking
Comment Balansbalk

Datum
Date 29-8-2012

Tekening
Drawing

MOD PST 007 110

Samenstelling module *Assembly module*



Nr	#	Type	Progr.	Volgnr	Bew.	Rev.	Benaming	Opmerking
1	1	OHO	PST	200	019		Paal 18-20	Lengte =1900



Benaming
Title | **Balk**

Opmerking
Comment | **Balans solo**

Datum
Date | **25-9-2013**

Tekening
Drawing

MOD PST 007 111 A
Samenstelling module Assembly module