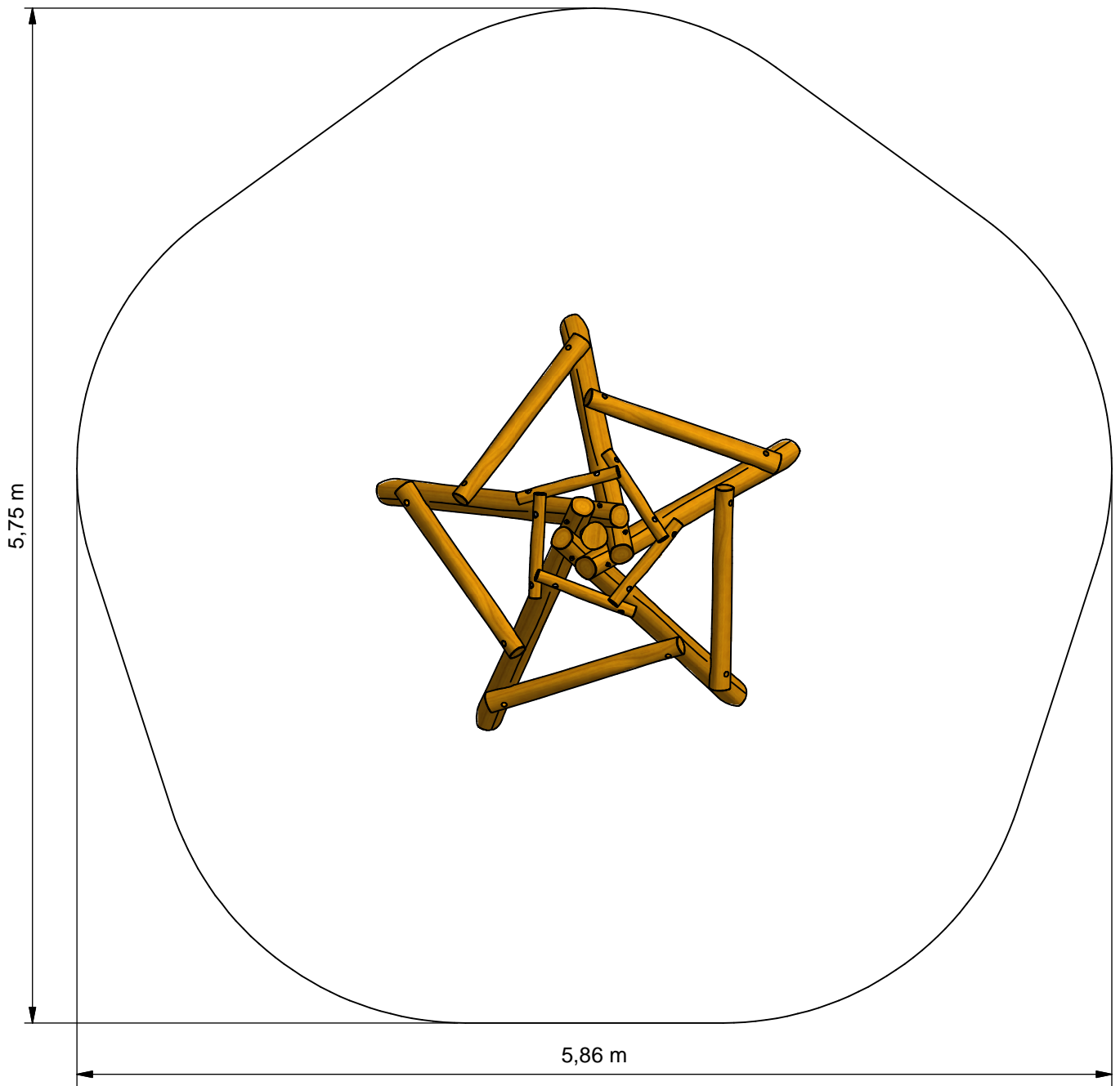




# Climbing pyramid



**PSTE000.103**



- Opvangzone**  
Impact area
- Obstakelvrije zone**  
Obstacle free zone

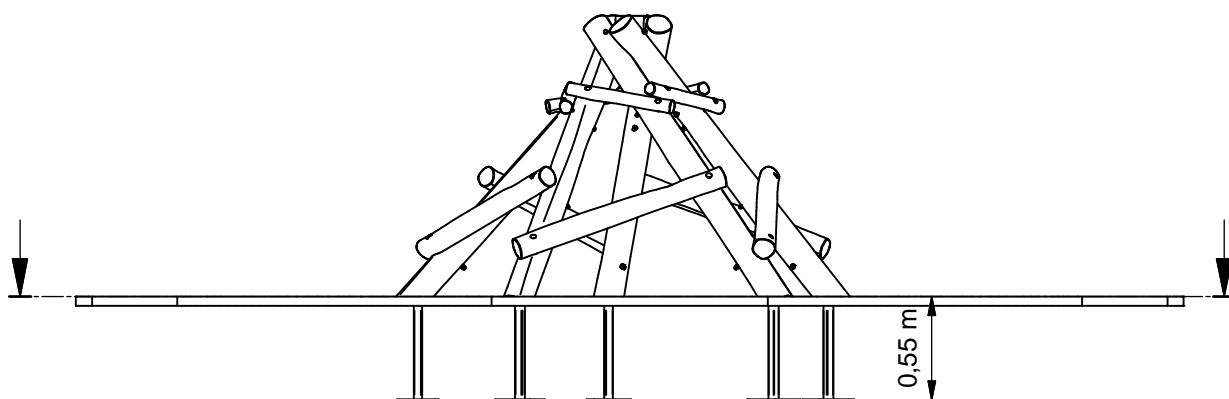
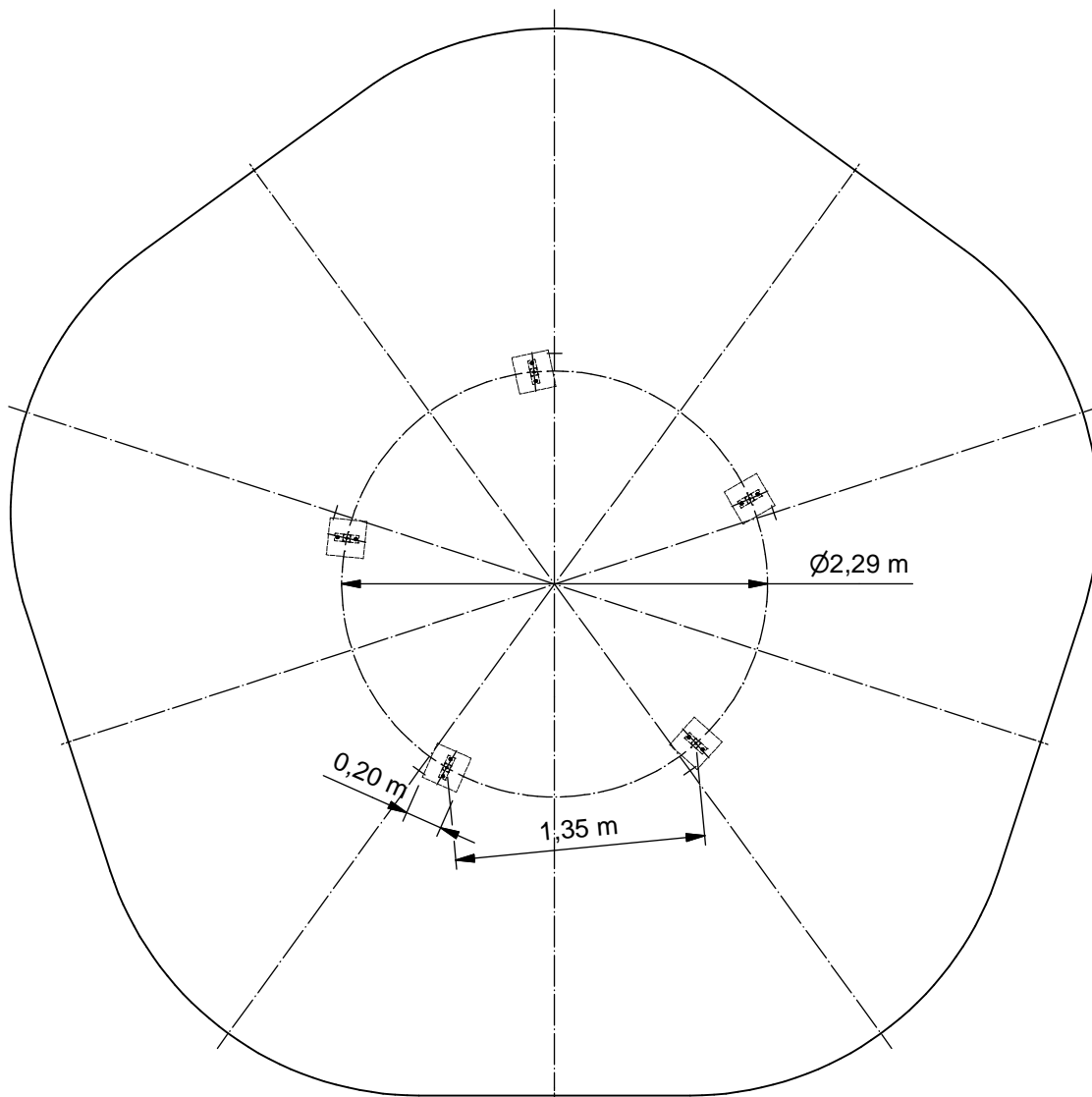


**Benaming** | Klimpiramide  
**Opmerking** | Adventure Play  
**Datum** | 19-12-2011

**Tekening**  
 Drawing

**TOE PST 000 103**

**Obstakelvrije zone** *Obstacle free zone*

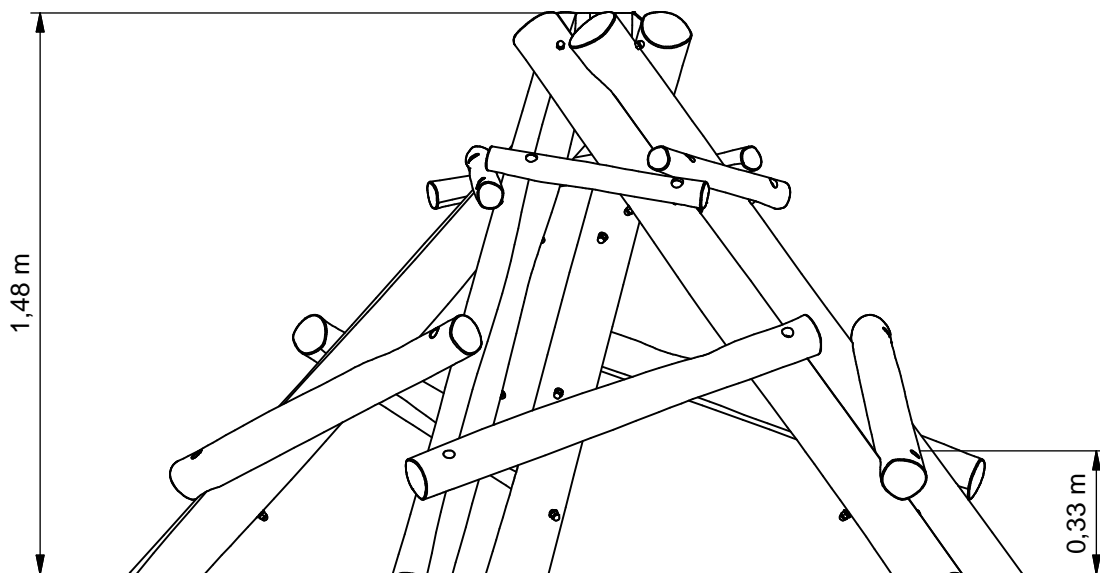
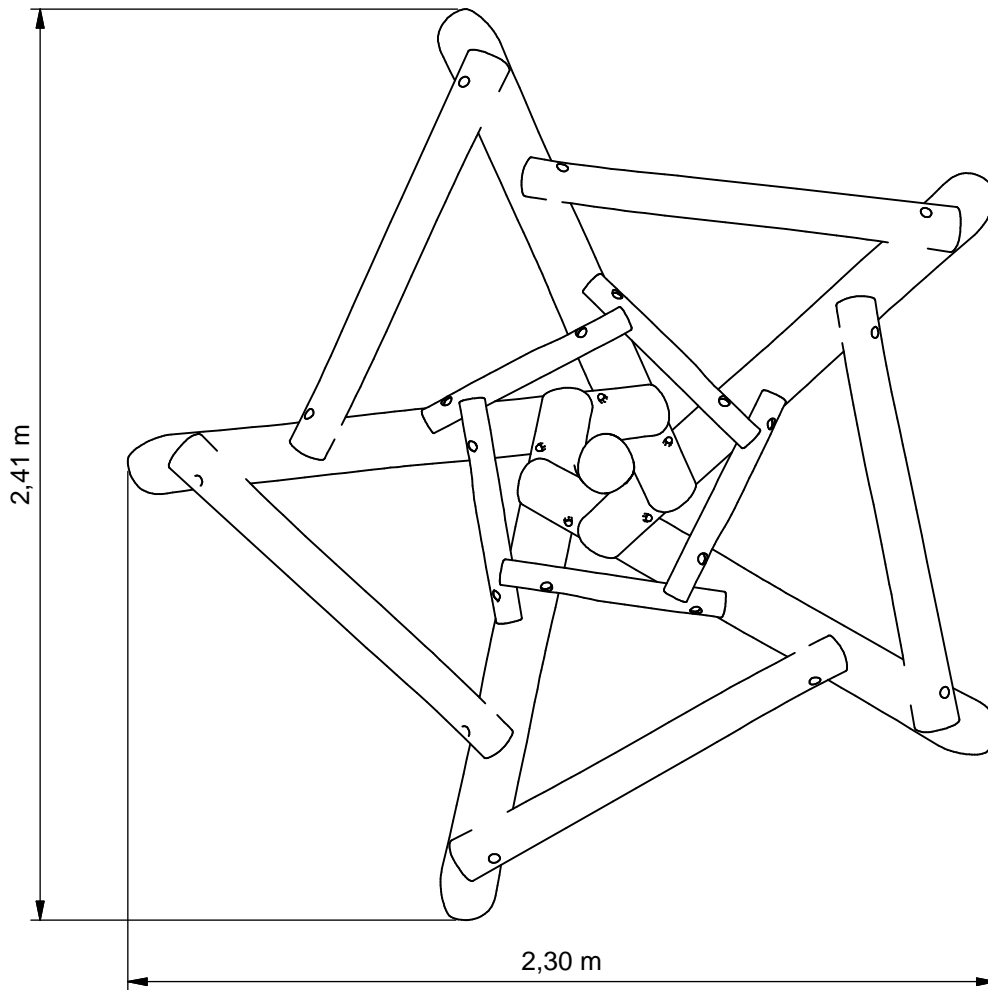


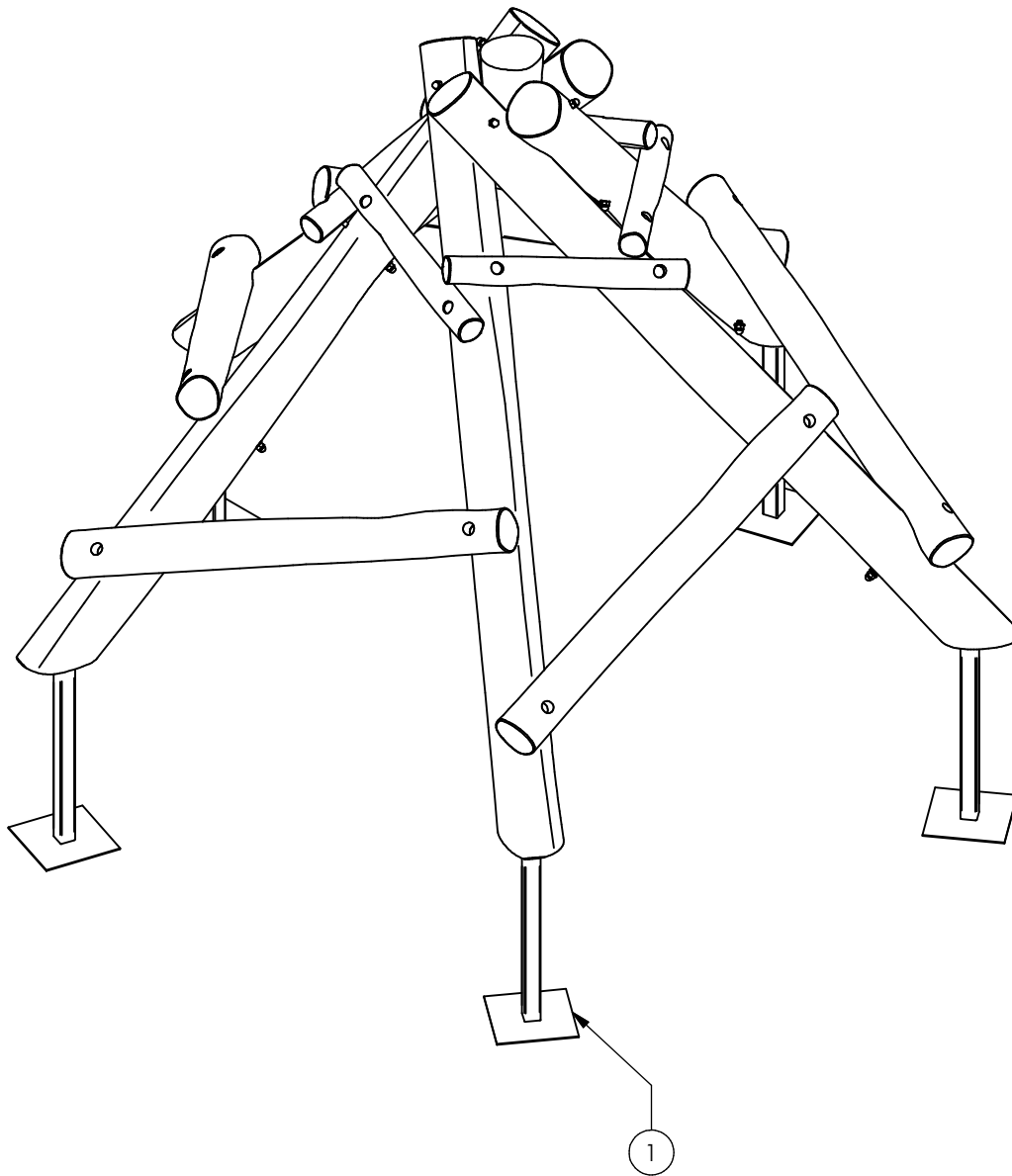
Benaming  
 Title | Klimpiramide  
 Opmerking  
 Comment | Adventure Play  
 Datum  
 Date | 19-12-2011

Tekening  
 Drawing

TOE PST 000 103

Bodemplan *Groundplan*





Nr	#	Type	Progr.	Volgnr	Bew.	Rev.	Benaming	Opmerking
1	1	MOD	PST	007	070		Klimpiramide	



Benaming  
Title | Klimpiramide

Opmerking  
Comment | Adventure Play

Datum  
Date | 19-12-2011

Tekening  
Drawing

TOE PST 000 103

Modules Modules

**Geleverde delen:**

A - Piramide met ankers

**Supplied parts:**

A - Piramide with anchors

**Bevestiging sets:**

1 - n.v.t.

**Mounting kits:**

1 - n.a.

**Montagevolgorde:**

- 1 - graaf de gaten volgens het bodemplan en plaats hierin het toestel
- 2 - controleer of het toestel voldoet aan de afmetingen zoals op blad 'afmetingen'
- 3 - dicht de gaten en verdicht het zand

**Assembly sequence:**

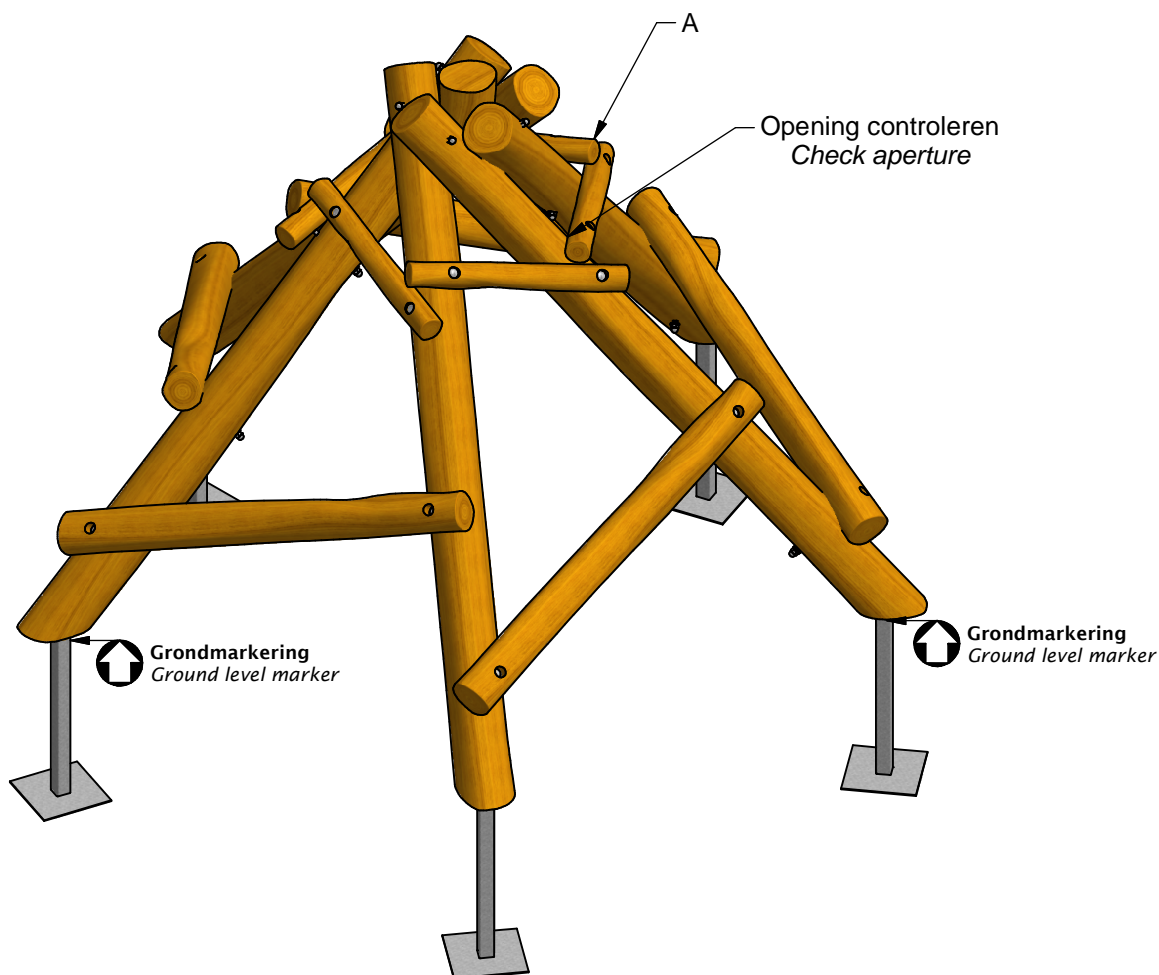
- 1 - dig the holes according to the ground plan and place the play equipment
- 2 - check that the equipment conforms to the dimensions shown on sheet 'dimensions'
- 3 - close the holes and compact the sand

**Controles:**

- 1 - correcte opbouw en alle bevestigingsmiddelen
- 2 - de uiterste hoogte van de openingen (<60 cm)
- 3 - controleer de afmetingen van de valbodem t.o.v. het toestel

**Checks:**

- 1 - correct assembly and all the fasteners
- 2 - the maximum height of the apertures (<60 cm)
- 3 - check the dimensions of the safety area compared to the play equipment



# PSTE000.103

Climbing pyramid

## LOGBOOK

(Onderstaand logboek kan gebruikt worden om te voldoen aan de eisen, gesteld in artikel 14 van het Warenwetbesluit Attractie- en Speeltoestellen)

Type indication	Adventure Play
Product code	PSTE000.103
Name of equipment	Klimpiramide
Maximum height of fall	1,5 m
Year of construction	2017
Certificate	031071
inspection authority	TUV Nederland QA BV De Waal 21c, Best - 5684 PH Best
Name manufacturer	BOERplay Hyacintstraat 2 - 4255 HX Nieuwendijk Phone: +31 (0)183 40 23 66 Fax: +31 (0)183 40 35 64
name installer	_____ _____
Description of equipment	Climbing pyramid
Location of equipment	_____
Data about the owner of the play equipment	
Name:	_____
Address:	_____
Postcode and town:	_____
Contact person:	_____
Telephone number:	_____
Data about the administrator of the play equipment	
Name:	_____
Address:	_____
Postcode and town:	_____
Contact person:	_____
Telephone number:	_____

# LOGBOOK

## Inspection and maintenance intervals



Nr.	Inspection	Maintenance	months between inspections
1	Verify equipment's stability, junctions and missing parts. Inspect bolts, screws and nuts for absence, jams, corrosion and wear.	Add missing parts, secure joints, apply missing fixing agent and replace corroded parts.	1
2	Check suspension for wear.	Replace worn parts and/or remove non-functioning parts.	1
3	Inspect rotating parts such as hinges, rolling-element bearings, etc. for wear and acceptability.	Replace worn parts and/or remove non-functioning parts.	1
4	Check wood for splinters, unacceptable damage and signs of rot. Especially at ground level.	Repair damage. Replace affected wood. Smoothen splintered wood and sharp edges.	1
5	Inspect foundation for stability, tearing and coverage.	Restore foundation and covering material.	3
6	Examine rubber and synthetic parts for wear, damage and break.	Replace original parts.	3
7	Inspect metal for corrosion and damage in the coating.	Restore any damaged coating (after removing rust and applying primer).	6
8	Check ropes, cables, chains and nets for wear and damage. Steel cables and nets which are tensioned must be checked for tension.	Replace parts where necessary. Steel cables and nets must be tensioned.	3
9	Inspect equipment for unsafe changes and additions.	Remove unsafe additions and correct unsafe changes.	1
10	Inspect safety surfaces.	Restore and repair where necessary.	1

## Remarks

1. If used intensively, all points require extra attention.
2. Extreme weather conditions and locations may require a higher inspection frequency. Discuss this with the supplier.
3. Vandalism-sensitive locations require stricter inspections, possibly daily.
4. Check the terrain regularly for items that do not belong there, are unsafe or may be used wrongly. Examples are poisonous plants, glass shards, etc. Frequency depends on strain.
5. Remember that bad maintenance leads to unsafe conditions and notably faster impoverishment of the playground area.
6. Replacement parts can be ordered at the manufacturer with the part numbers on the module drawing. Drawings can be found in de user guide.
7. The impact area shall be provided with impact attenuating surface according to the specified falling height.
8. This list is conform the CEN-standard "playground equipment and surfacing NEN-EN 1176-7".




# Certificaat van Typeonderzoek Type Examination Certificate

afgegeven door issued by

## TÜV Nederland QA BV

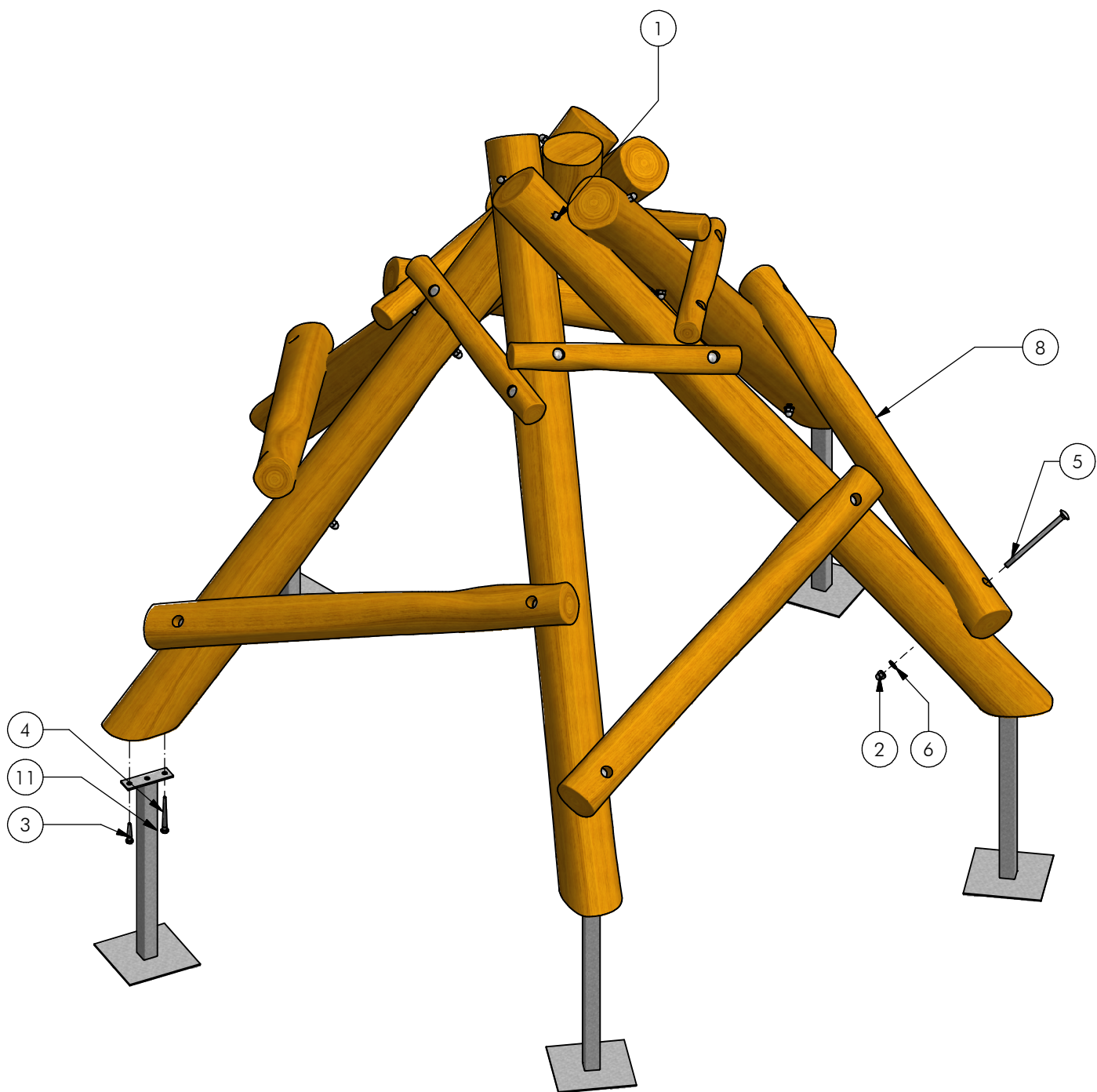
aangewezen bij ministeriële beschikking van 4 mei 2012, nr. VGP 3113590  
 commissioned by departmental order of 4 May 2012, no. VGP 3113590

Certificaat nr. Certificate nr.	031071TA_20130204	Dossiernr. File nr.	031071TA
Productomschrijving Product description	Klimpiramide		
Evt. nadere aanduidingen Further indications	Robinia		
voor nadere informatie zie bijbehorend rapport met gelijkloidend dossiernr. for further information see associated report with identical file nr.			
Eigenaar / certificaathouder en adres Owner/certificate holder and address	Boer Speeltoestellen B.V. Hyacintstraat 2 4255 HX Nieuwendijk		
Soort toestel Category of equipment	Speeltoestel / Playground equipment		
Fabrikant Manufacturer	Boer Speeltoestellen B.V. Hyacintstraat 2 4255 HX Nieuwendijk		
Type/Serienummer Type/Serial number	PST.000.103 /	in te vullen door de fabrikant to be filled out by the manufacturer	
Jaar van fabricage Year of construction	vanaf since 2012		
Leverancier Supplier	Boer Speeltoestellen B.V. Hyacintstraat 2 4255 HX Nieuwendijk		
Jaar van leverantie Year of supply	in te vullen door de leverancier to be filled out by the supplier		
Datum keuring Date of examination	21-06-2012 - 04-02-2013		

TÜV Nederland QA BV, de Waal 21C, NL-5684 PH Best verklaart, dat het bovenaangehaalde toestel voldoet aan de vervaardigingvoorschriften genoemd in het Warenwetbesluit attractie- en speeltoestellen (met als leidraad de normatieve documenten NEN-EN 1176:2008).

TÜV Nederland QA BV declares that the here above mentioned equipment meets the safety and health requirements mentioned in the Dutch law "Warenwetbesluit attractie- en speeltoestellen" (guided by normative documents EN 1176:2008).

Namens het bestuur, For the board,  A.C. Boon Directeur	
---	--



Nr	#	Type	Progr.	Volgnr	Bew.	Rev.	Benaming	Opmerking
1	5	BMR	SET	M12	260		Draadeind+dopm.+ringen	M12, L= 260, RVS A2-70
2	20	BSR	011	012	025		Borgdopmoer	M12 - RVS A2-70
3	5	BSR	022	010	050		Houtdraadbout	RVS A2 M10 X 50
4	5	BSR	022	010	100		Houtdraadbout	ø10 X 100 - RVS A2-70
5	20	BSR	026	012	200		Slotbout	M12 x 200 - RVS A2-70
6	20	BSR	030	012	003		Sluitring	M12 - RVS A2-70
7	5	OHO	PST	080	006		Paal 6	Lengte =600
8	5	OHO	PST	120	012		Paal 10-12	Lengte =1200
9	1	OHO	PST	160	005		Paal 14-16	Lengte =500
10	5	OHO	PST	160	020		Paal 14-16	Lengte =2000
11	5	SME	SOL	032	372	C	Grondanker	Goal



Benaming  
Title | Klimpiramide

Opmerking  
Comment

Datum  
Date | 4-2-2013

Tekening  
Drawing

**MOD PST 007 070**

Samenstelling module Assembly module