



Adventure Play

PSTE000.021

Hexagon swing



PSTE000.021

Hexagon swing



1-6



4 - 12



8.0 x 6.9 x 2.8 m



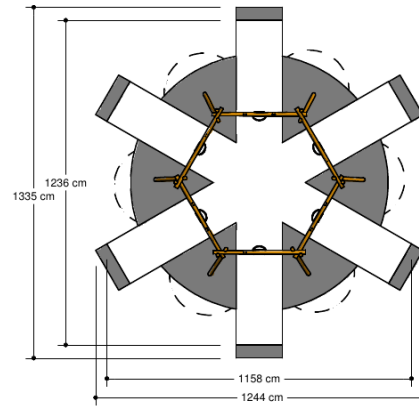
11.4 x 12.2 m



12.3 x 13.2 m



1.5 m



Playfunctions

Swinging

Material

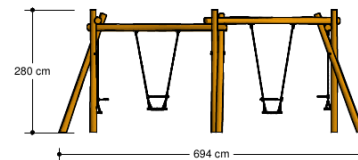
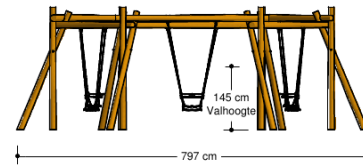
Made of irregularly shaped Acacia Robinia FSC certified wood. This European hardwood had a sustainability of class I according to EN 350 and is free of sapwood. The timber units are finished with stainless steel components 340 / K320-ground quality.

Anchorage

Galvanized steel base plates

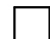
Comments

The impact area must have impact absorbing properties belonging to the specified free height of fall. The obstacle-free zone shall be completely free of obstacles.



Opvangzone


Impact area

 WAS, Dutch law

 EN1176

Obstakelvrije zone

Obstacle free zone

 WAS, Dutch law

 EN1176

