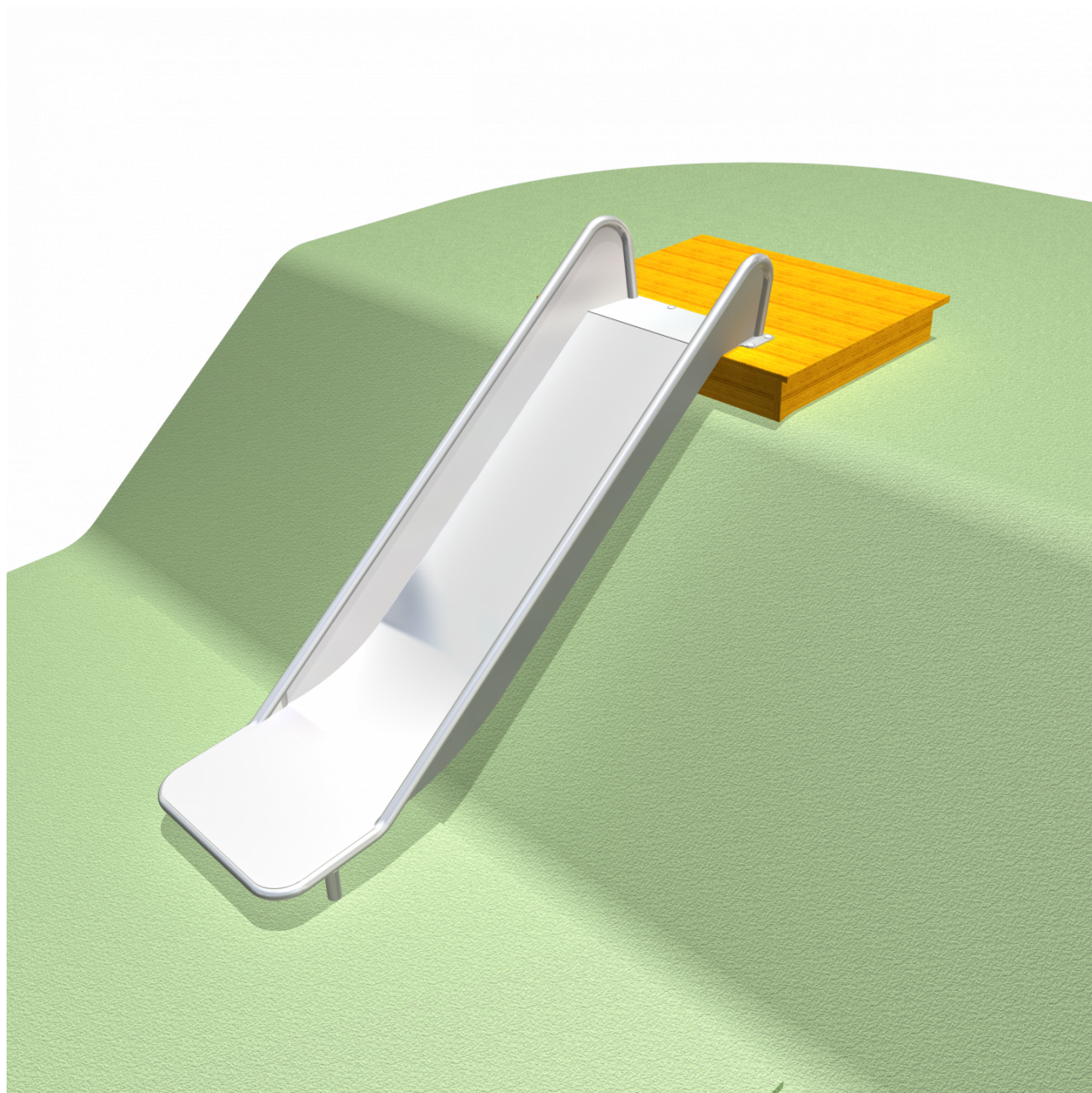
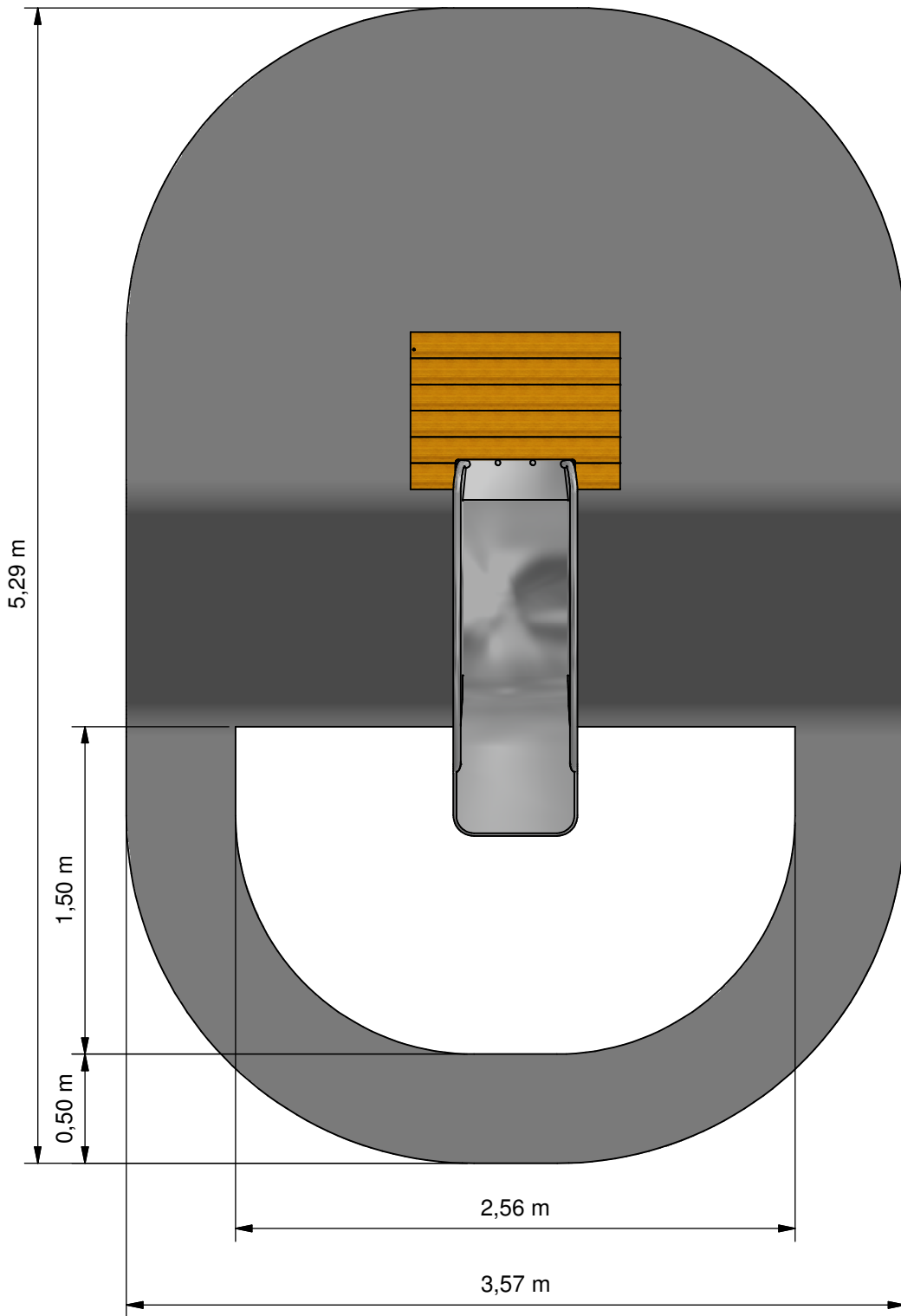




# Hill slide



**PSTE000.225**



- Opvangzone  
Impact area
- Obstakelvrije zone  
Obstacle free zone



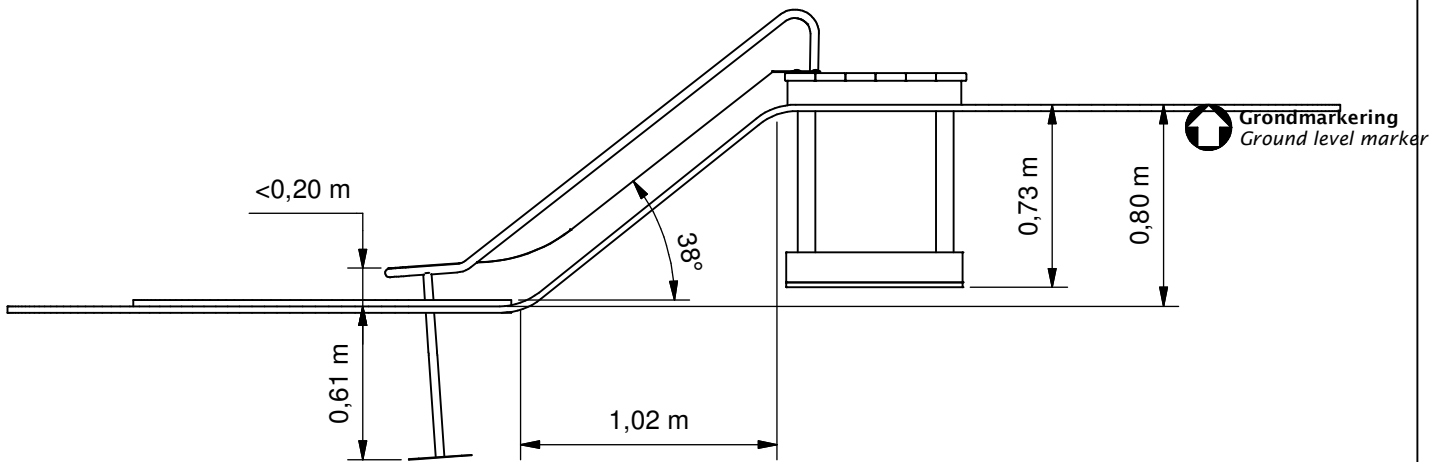
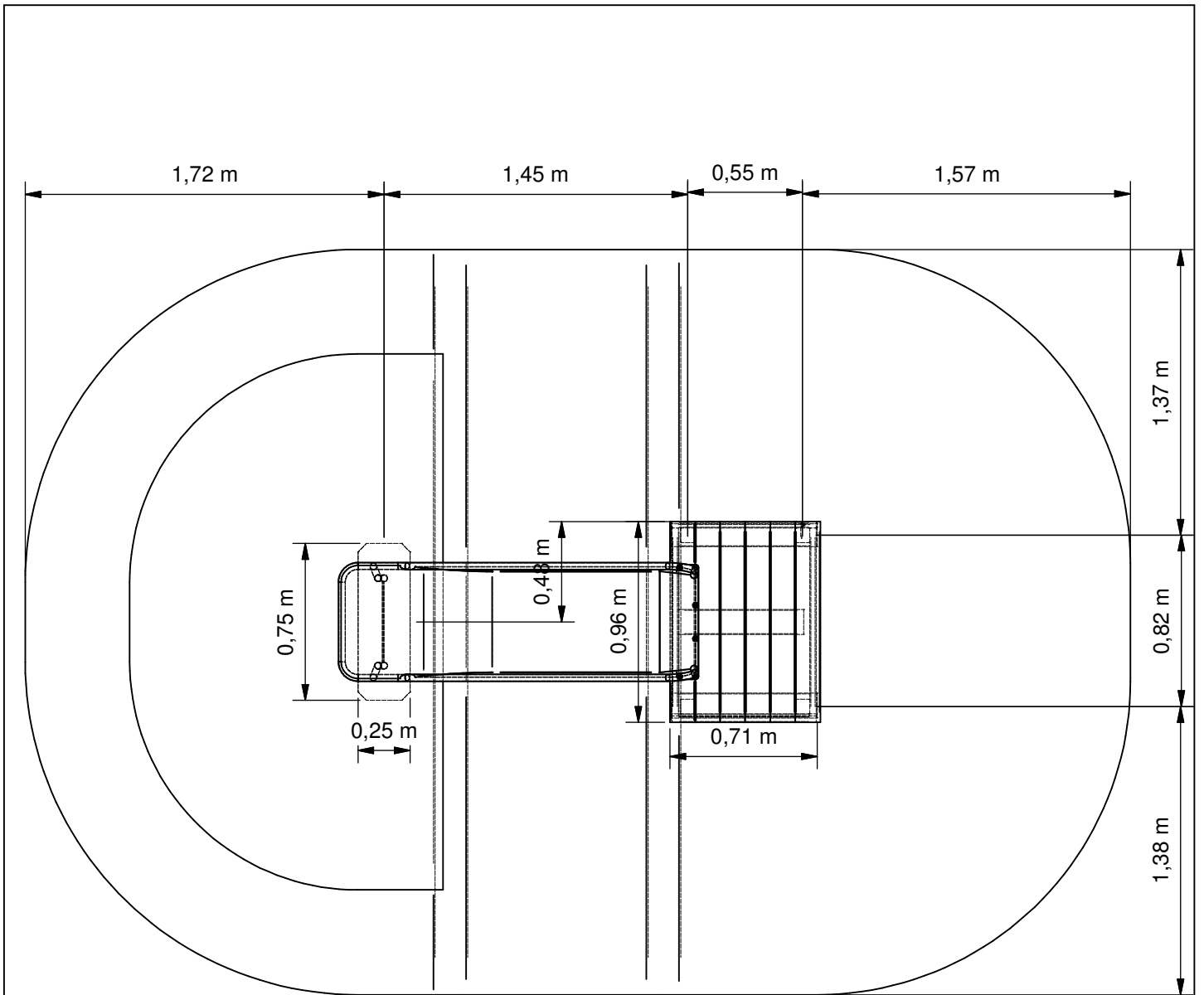
Benaming  
Title Glijbaan 0,93m

Opmerking  
Comment tbv Talud

Datum  
Date 15-7-2015

Tekening  
Drawing

**TOE PST 000 225 A**  
Obstakelvrije zone *Obstacle free zone*



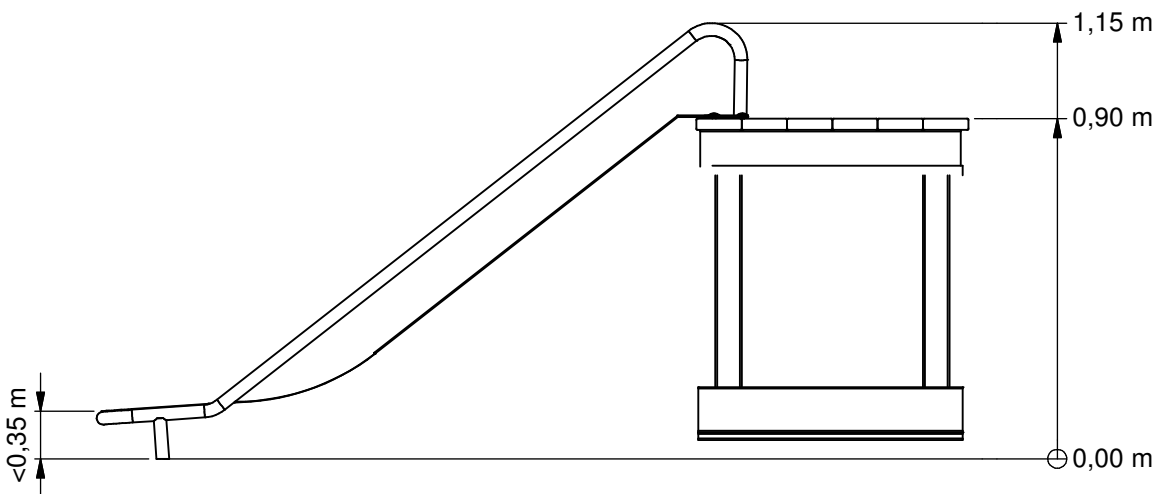
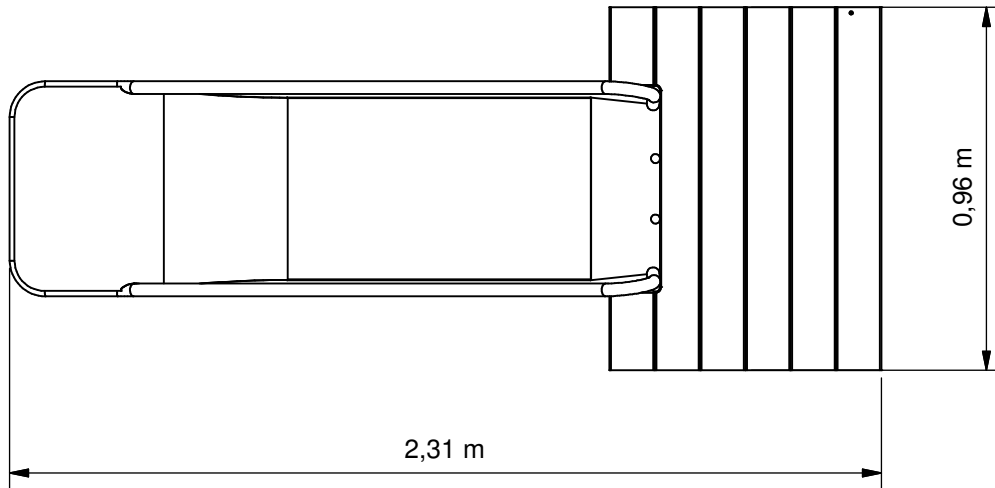
Benaming  
Title Glijbaan 0,93m

Opmerking  
Comment tbv Talud

Datum  
Date 15-7-2015

Tekening  
Drawing

**TOE PST 000 225 A**  
Bodemplan *Groundplan*



Benaming  
Title | Glijbaan 0,93m

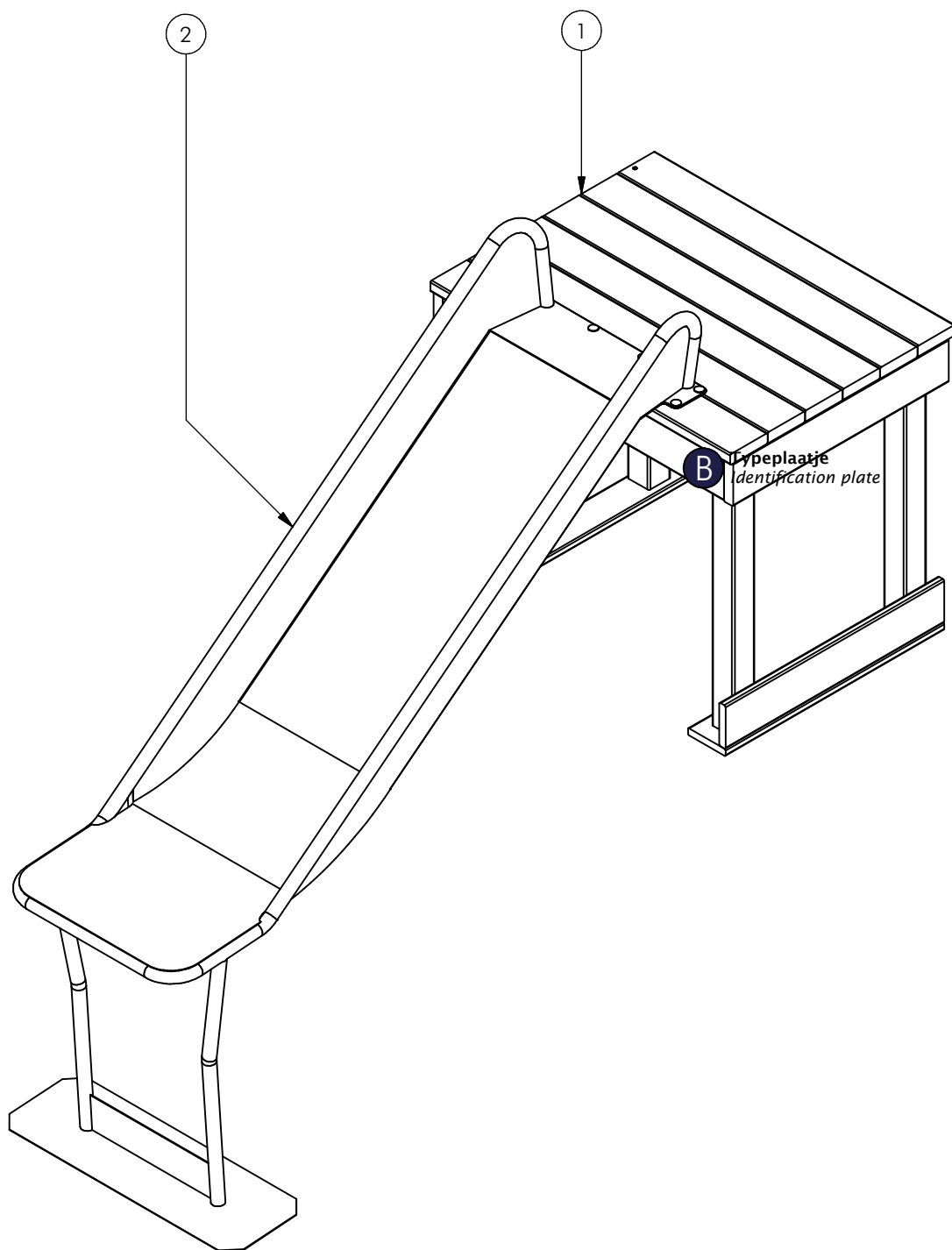
Opmerking  
Comment | tbv Talud

Datum  
Date | 15-7-2015

Tekening  
Drawing

TOE PST 000 225 A

Afmetingen Dimensions



| Nr | # | Type | Progr. | Volgnr | Bew. | Rev. | Benaming     | Opmerking     |
|----|---|------|--------|--------|------|------|--------------|---------------|
| 1  | 1 | MOD  | PST    | 040    | 025  |      | Vlonder      | 80 x 100 cm   |
| 2  | 1 | MOD  | PST    | 002    | 190  | A    | Glijbaan 1 m | Module Robina |



Benaming  
Title | Glijbaan 0,93m

Opmerking  
Comment | tbv Talud

Datum  
Date | 15-7-2015

Tekening  
Drawing

**TOE PST 000 225 A**

**Modules Modules**

**Geleverde delen:**

A - platform 0,8x0,9x0,6 m [50 kg]  
B - glijbaan 2,4x0,8x0,8 m [40 kg]

**Bevestiging sets:**

1 - slotbout M10 incl. moer en ring (6x)

**Montagevolgorde:**

1 - graaf de gaten volgens het bodemplan en plaats hierin delen A en B  
2 - monteer B aan A met set 1 op de voorgeboorde gaten  
3 - controleer of het toestel voldoet aan de afmetingen zoals op blad 'afmetingen'  
4 - dicht de gaten en verdicht het zand

**Controles:**

1 - correcte opbouw en alle bevestigingsmiddelen  
2 - de uiterste hoogte van het uiteinde van de glijbaan (<19 cm)  
3 - controleer de afmetingen van de valbodem t.o.v. het toestel

**Supplied parts:**

A - platform 0,8x0,9x0,6 m [50 kg]  
B - slide 2,4x0,8x0,8 m [40 kg]

**Mounting kits:**

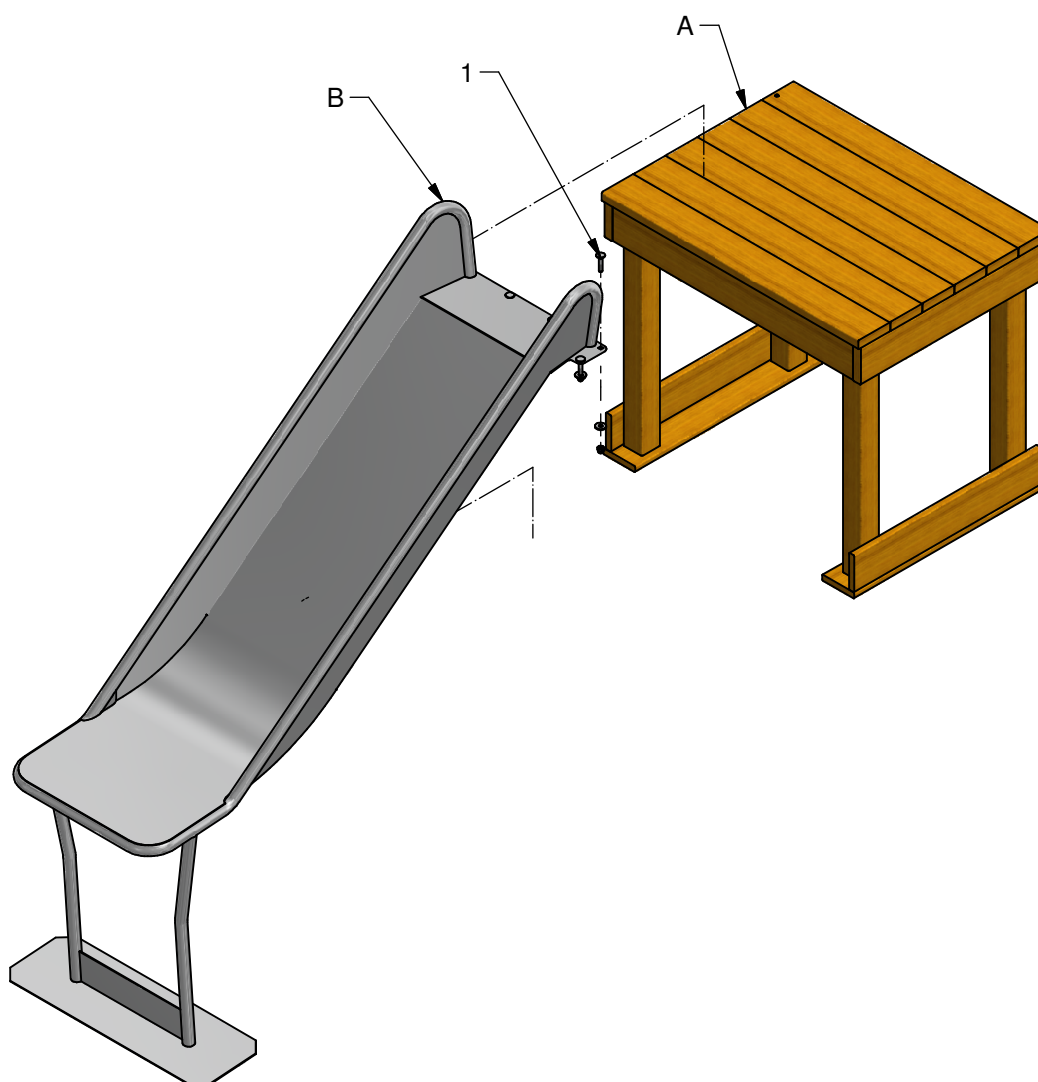
1 - M10 bolt with washer and lock nut (6x)

**Assembly sequence:**

1 - dig the holes according to the ground plan and place parts A and B  
2 - mount part B to A using set 1 on the pre-drilled holes  
3 - check that the equipment conforms to the dimensions shown on sheet 'dimensions'  
4 - close the holes and compact the sand

**Checks:**

1 - correct assembly and all the fasteners  
2 - the maximum height of the end of the slide (<19 cm)  
3 - check the dimensions of the safety area compared to the play equipment



# PSTE000.225

Hill slide

## LOGBOOK

(Onderstaand logboek kan gebruikt worden om te voldoen aan de eisen, gesteld in artikel 14 van het Warenwetbesluit Attractie- en Speeltoestellen)

|  |   |
|--|---|
| Type indication                                    | Adventure Play  |
| Product code                                       | PSTE000.225   |
| Name of equipment                                  | Taludglijbaan 0.8 - 0.93m   |
| Maximum height of fall                             | < 0,6 m   |
| Year of construction                               | 2017  |
| Certificate  | 031079  |
| inspection authority                               | TUV Nederland QA BV<br>De Waal 21c, Best - 5684 PH Best   |
| Name manufacturer                                  | BOERplay<br>Hyacintstraat 2 - 4255 HX Nieuwendijk<br>Phone: +31 (0)183 40 23 66<br>Fax: +31 (0)183 40 35 64 |
| name installer                                     | _____<br>_____  |
| Description of equipment                           | Hill slide  |
| Location of equipment                              | _____   |
| Data about the owner of the play equipment         |   |
| Name:  | _____   |
| Address:   | _____   |
| Postcode and town:                                 | _____   |
| Contact person:                                    | _____   |
| Telephone number:                                  | _____   |
| Data about the administrator of the play equipment |   |
| Name:  | _____   |
| Address:   | _____   |
| Postcode and town:                                 | _____   |
| Contact person:                                    | _____   |
| Telephone number:                                  | _____   |

# LOGBOOK

## Inspection and maintenance intervals



| Nr. | Inspection   | Maintenance  | months between inspections |
|-----|--|--|----------------------------|
| 1   | Verify equipment's stability, junctions and missing parts. Inspect bolts, screws and nuts for absence, jams, corrosion and wear. | Add missing parts, secure joints, apply missing fixing agent and replace corroded parts. | 1                          |
| 2   | Check suspension for wear.   | Replace worn parts and/or remove non-functioning parts.                                  | 1                          |
| 3   | Inspect rotating parts such as hinges, rolling-element bearings, etc. for wear and acceptability.                                | Replace worn parts and/or remove non-functioning parts.                                  | 1                          |
| 4   | Check wood for splinters, unacceptable damage and signs of rot. Especially at ground level.                                      | Repair damage. Replace affected wood. Smoothen splintered wood and sharp edges.          | 1                          |
| 5   | Inspect foundation for stability, tearing and coverage.  | Restore foundation and covering material.  | 3                          |
| 6   | Examine rubber and synthetic parts for wear, damage and break.   | Replace original parts.  | 3                          |
| 7   | Inspect metal for corrosion and damage in the coating.   | Restore any damaged coating (after removing rust and applying primer).                   | 6                          |
| 8   | Check ropes, cables, chains and nets for wear and damage. Steel cables and nets which are tensioned must be checked for tension. | Replace parts where necessary. Steel cables and nets must be tensioned.                  | 3                          |
| 9   | Inspect equipment for unsafe changes and additions.  | Remove unsafe additions and correct unsafe changes.                                      | 1                          |
| 10  | Inspect safety surfaces.   | Restore and repair where necessary.  | 1                          |

## Remarks

1. If used intensively, all points require extra attention.
2. Extreme weather conditions and locations may require a higher inspection frequency. Discuss this with the supplier.
3. Vandalism-sensitive locations require stricter inspections, possibly daily.
4. Check the terrain regularly for items that do not belong there, are unsafe or may be used wrongly. Examples are poisonous plants, glass shards, etc. Frequency depends on strain.
5. Remember that bad maintenance leads to unsafe conditions and notably faster impoverishment of the playground area.
6. Replacement parts can be ordered at the manufacturer with the part numbers on the module drawing. Drawings can be found in de user guide.
7. The impact area shall be provided with impact attenuating surface according to the specified falling height.
8. This list is conform the CEN-standard "playground equipment and surfacing NEN-EN 1176-7".



Warenwet

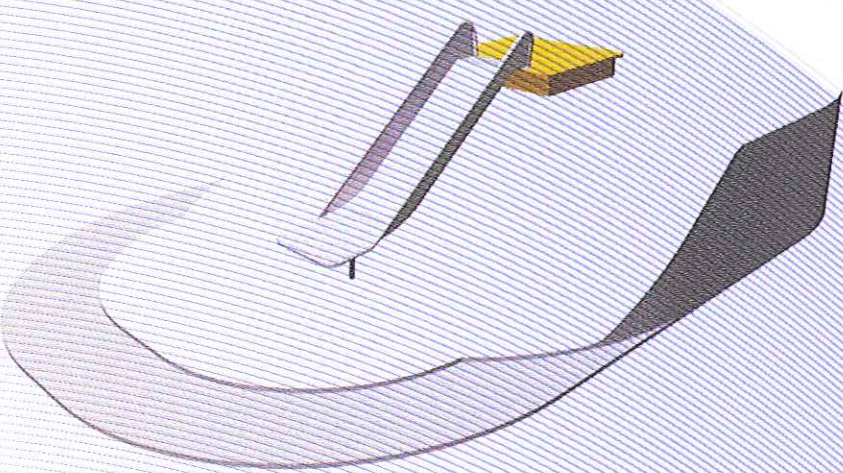
# Certificaat van Typeonderzoek Type Examination Certificate

afgegeven door issued by

## TÜV Nederland QA BV



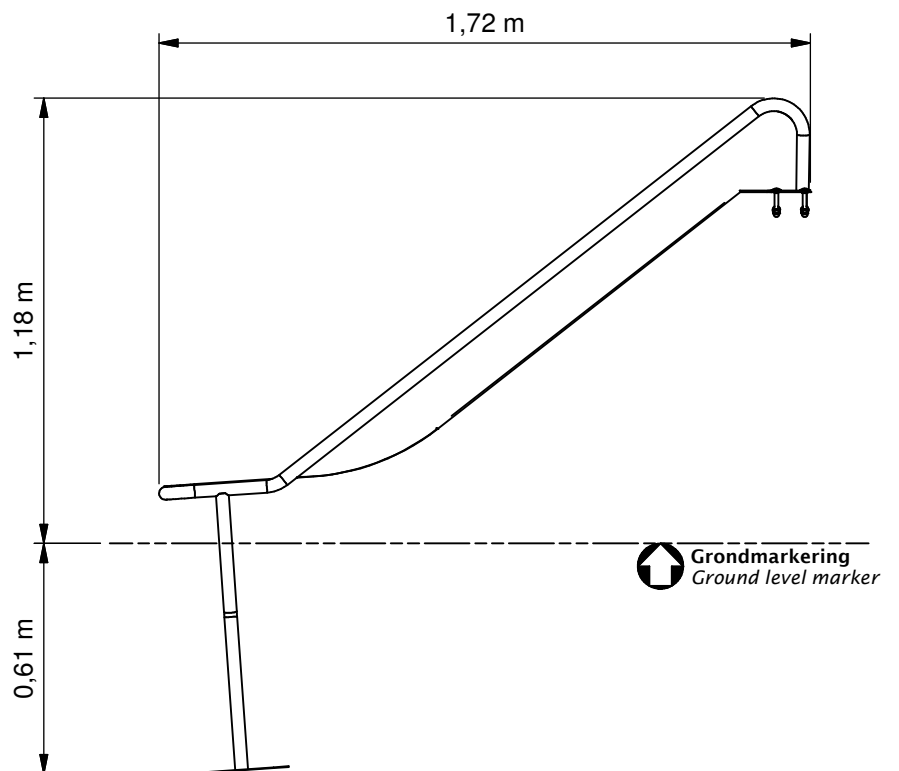
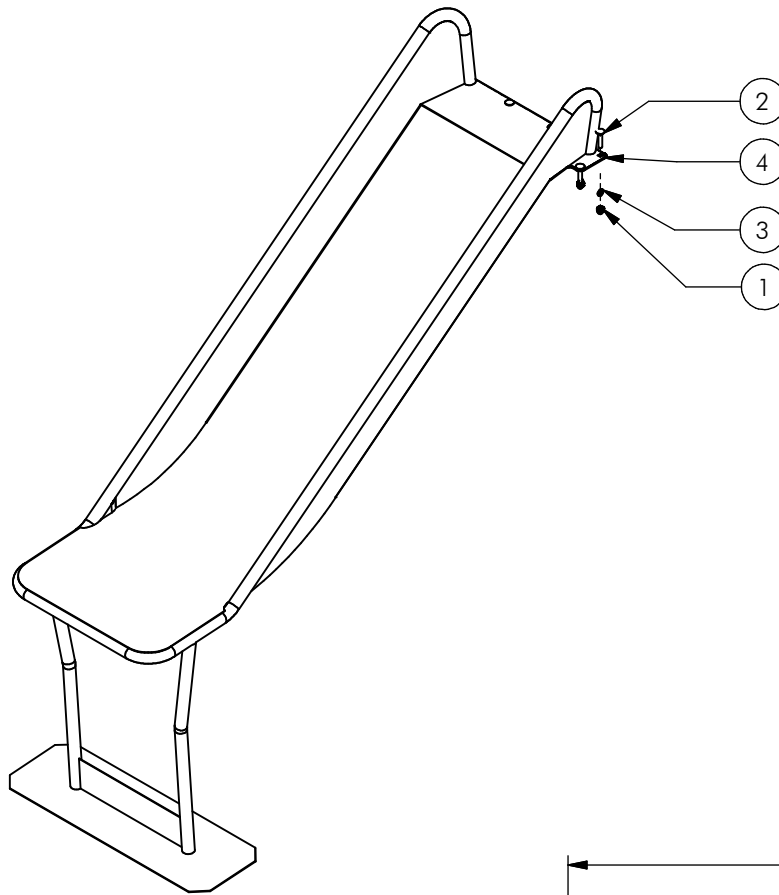
aangewezen bij ministeriële beschikking van 4 mei 2012, nr. VGP 3113590  
commissioned by departmental order of 4 May 2012, no. VGP 3113590

|  |   |  |  |
|--|---|--|--|
| Certificaat nr.<br>Certificate nr.   | 031079TC_20121109   | Dossiernr.<br>File nr.   | 031079TC   |
| Productomschrijving<br>Product description   | Taludglijbaan type 2  |  |  |
| Evt. nadere aanduidingen<br>Further indications  | hoogteverschil van ca. 0,9 meter  |  |  |
| voor nadere informatie zie bijbehorend rapport met gelijkloidend dossiernr.<br>for further information see associated report with identical file nr. |  |  |  |
| Eigenaar / certificaathouder en adres<br>Owner/certificate holder and address  | Boer Speeltoestellen B.V.<br>Postbus 10<br>4255 ZG NIEUWENDIJK                      |  |  |
| Soort toestel<br>Category of equipment   | Speeltoestel  |  |  |
| Fabrikant<br>Manufacturer  | Boer Speeltoestellen B.V.<br>Postbus 10<br>4255 ZG NIEUWENDIJK                      |  |  |
| Type/Serienummer<br>Type/Serial number   | PST.000.225 /   | in te vullen door de fabrikant<br>to be filled out by the manufacturer |  |
| Jaar van fabricage<br>Year of construction   | vanaf 2012<br>since   |  |  |
| Leverancier<br>Supplier  | Boer Speeltoestellen B.V.<br>Postbus 10<br>4255 ZG NIEUWENDIJK                      |  |  |
| Jaar van levering<br>Year of supply  |   |  | in te vullen door de leverancier<br>to be filled out by the supplier |
| Datum keuring<br>Date of examination   | 21-06-2012 – 09-11-2012   |  |  |

TÜV Nederland QA BV, de Waal 21C, NL-5684 PH Best verklaart, dat het bovenaangehaalde toestel voldoet aan de vervaardigingvoorschriften genoemd in het Warenwetbesluit attractie- en speeltoestellen (met als leidraad de normatieve documenten NEN-EN 1176:2008).

TÜV Nederland QA BV declares that the here above mentioned equipment meets the safety and health requirements mentioned in the Dutch law "Warenwetbesluit attractie- en speeltoestellen" (guided by normative documents EN 1176:2008).

|   |
|---|
| <p>Namens het bestuur,<br/>For the board,</p> <p>A.C. Boon<br/>Directeur</p>  |
|---|



**Let op:** toestel bij voorkeur niet met de glijbaan op het zuiden plaatsen.

**Attention:** it is advisable not to orient playground equipment with the slide facing south

| Nr | # | Type | Progr. | Volgnr | Bew. | Rev. | Benaming  | Opmerking            |
|----|---|------|--------|--------|------|------|-----------|----------------------|
| 1  | 6 | BSR  | 011    | 010    | 020  |      | DOPMOER   | BORG RVS M10         |
| 2  | 6 | BSR  | 026    | 010    | 050  |      | Slotbout  | M10 x 50 - RVS A2-70 |
| 3  | 6 | BSR  | 030    | 010    | 002  |      | SLUITRING | M10                  |
| 4  | 1 | SME  | VRB    | 611    | 320  | B    | Glijbaan  | 93 cm                |



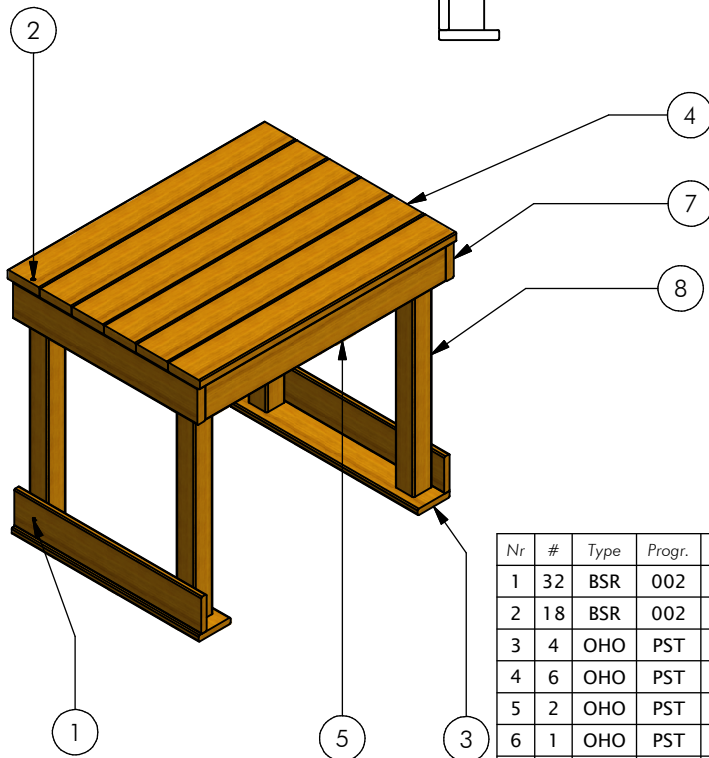
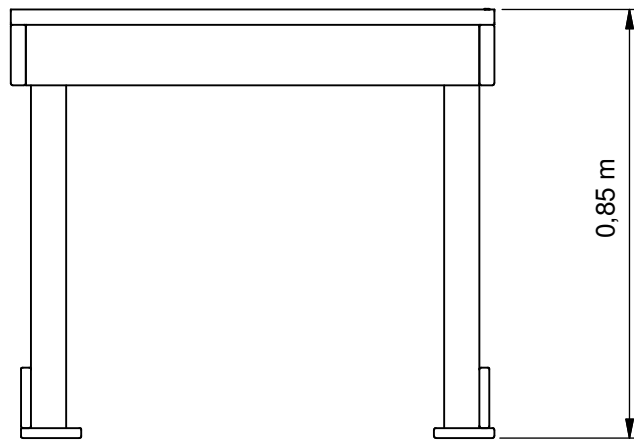
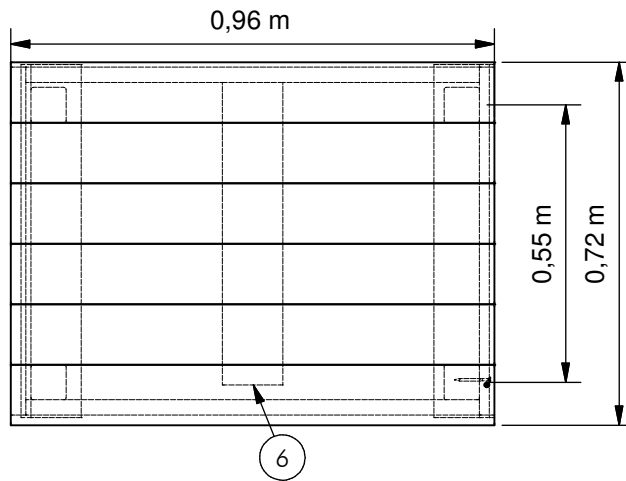
Benaming  
Title: Glijbaan 1 m

Opmerking  
Comment: Module Robina

Datum  
Date: 20-8-2013

Tekening  
Drawing

**MOD PST 002 190 A**  
Samenstelling module Assembly module



| Nr | #  | Type | Progr. | Volgnr | Bew. | Rev. | Benaming               | Opmerking          |
|----|----|------|--------|--------|------|------|------------------------|--------------------|
| 1  | 32 | BSR  | 002    | 005    | 070  |      | Schroef Assy           | 5 x 70 - RVS A2-70 |
| 2  | 18 | BSR  | 002    | 005    | 050  |      | Schroef Assy           | 5 x 50 - RVS A2-70 |
| 3  | 4  | OHO  | PST    | 211    | 070  |      | Standaard plank 120x20 | Lengte = 700       |
| 4  | 6  | OHO  | PST    | 221    | 100  |      | Standaardplank 120x30  | Lengte = 1000      |
| 5  | 2  | OHO  | PST    | 221    | 090  |      | Standaardplank 120x30  | Lengte = 900       |
| 6  | 1  | OHO  | PST    | 221    | 060  |      | Standaardplank 120x30  | Lengte = 600       |
| 7  | 2  | OHO  | PST    | 221    | 070  |      | Standaardplank 120x30  | Lengte = 700       |
| 8  | 4  | OHO  | PST    | 307    | 080  |      | 70 mm Vierkante paal   | 800 mm Lengte      |



Benaming  
Title Vlonder

Opmerking  
Comment 80 x 100 cm

Datum  
Date 8-7-2015

Tekening  
Drawing

# MOD PST 040 025

Samenstelling module Assembly module