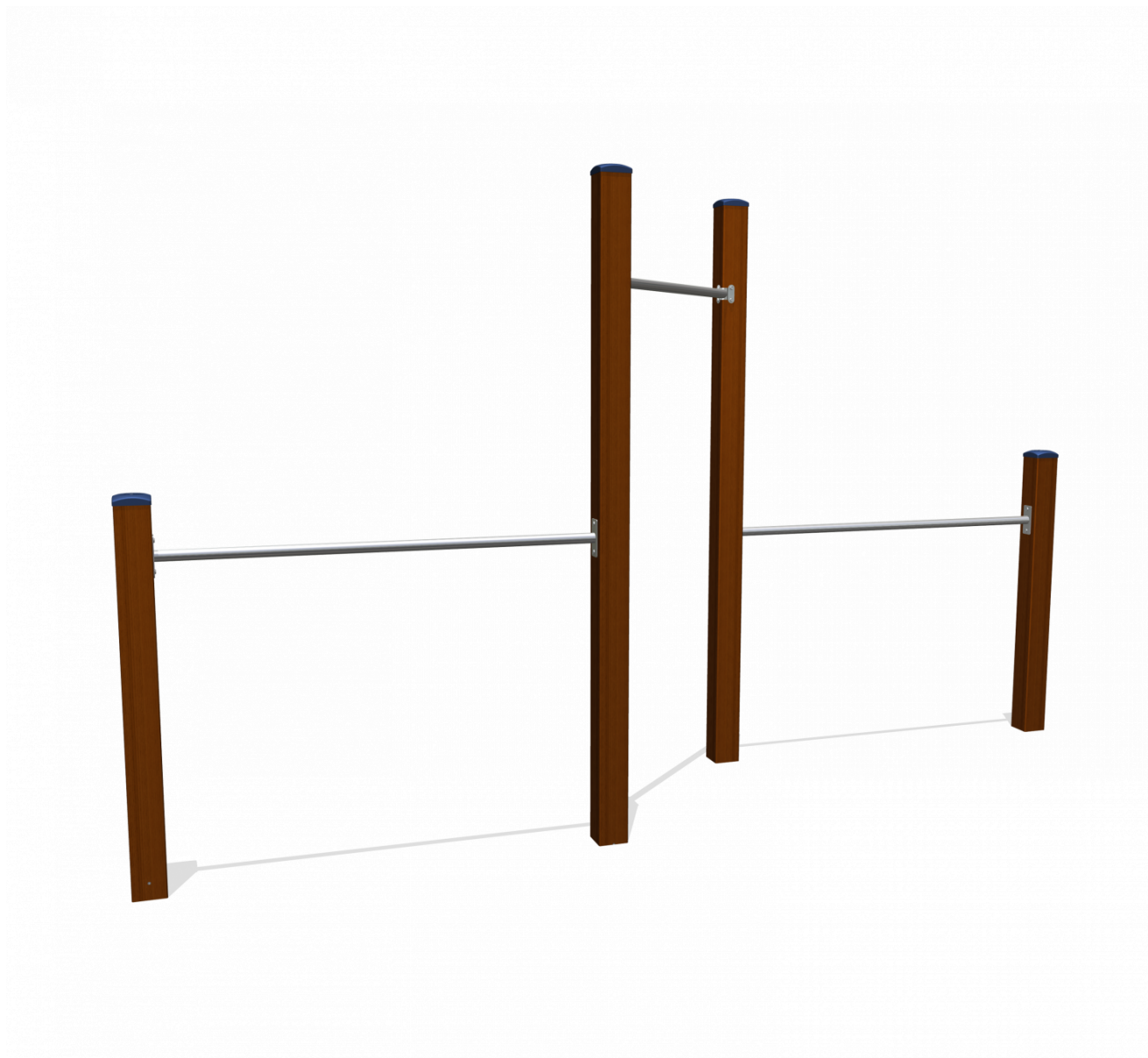
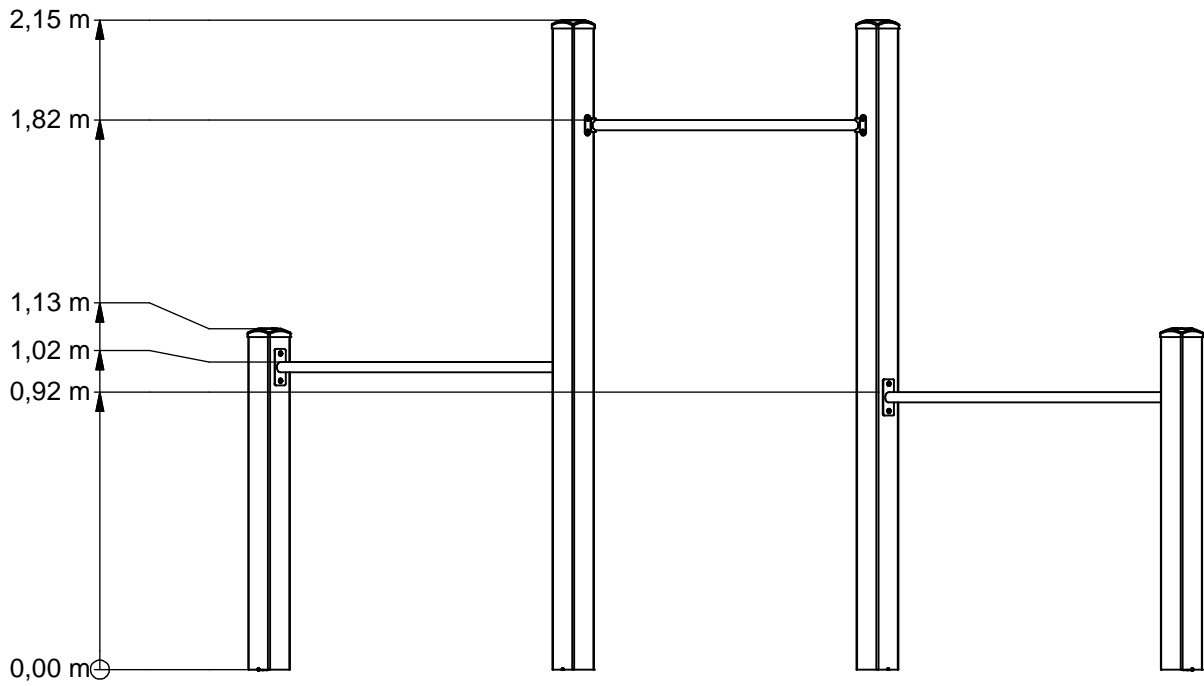
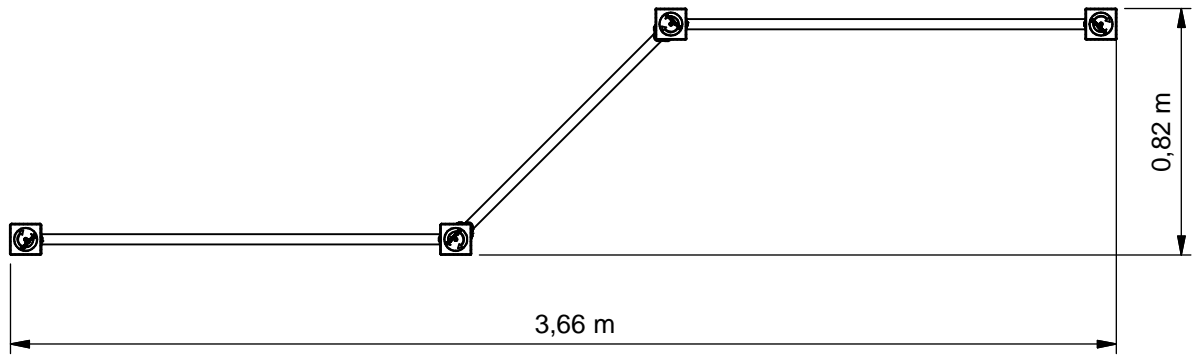




Triple Horizontal bar



SOLE030.276



Benaming
Title Rekstok trio

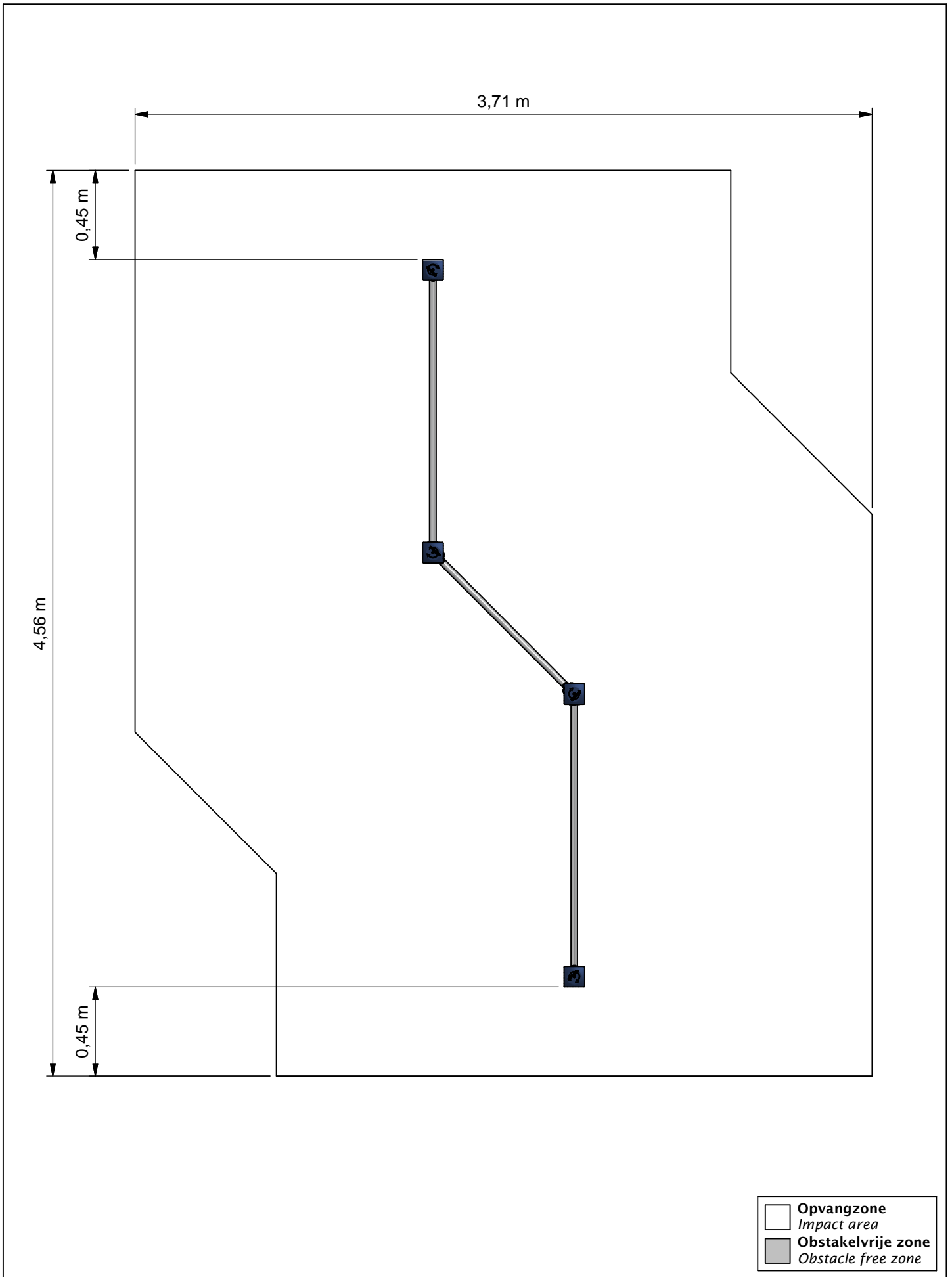
Opmerking
Comment Hardhout

Datum
Date 5-7-2010

Tekening
Drawing

TOE SOL 030 276

Afmetingen Dimensions



Benaming
Title | Rekstok trio

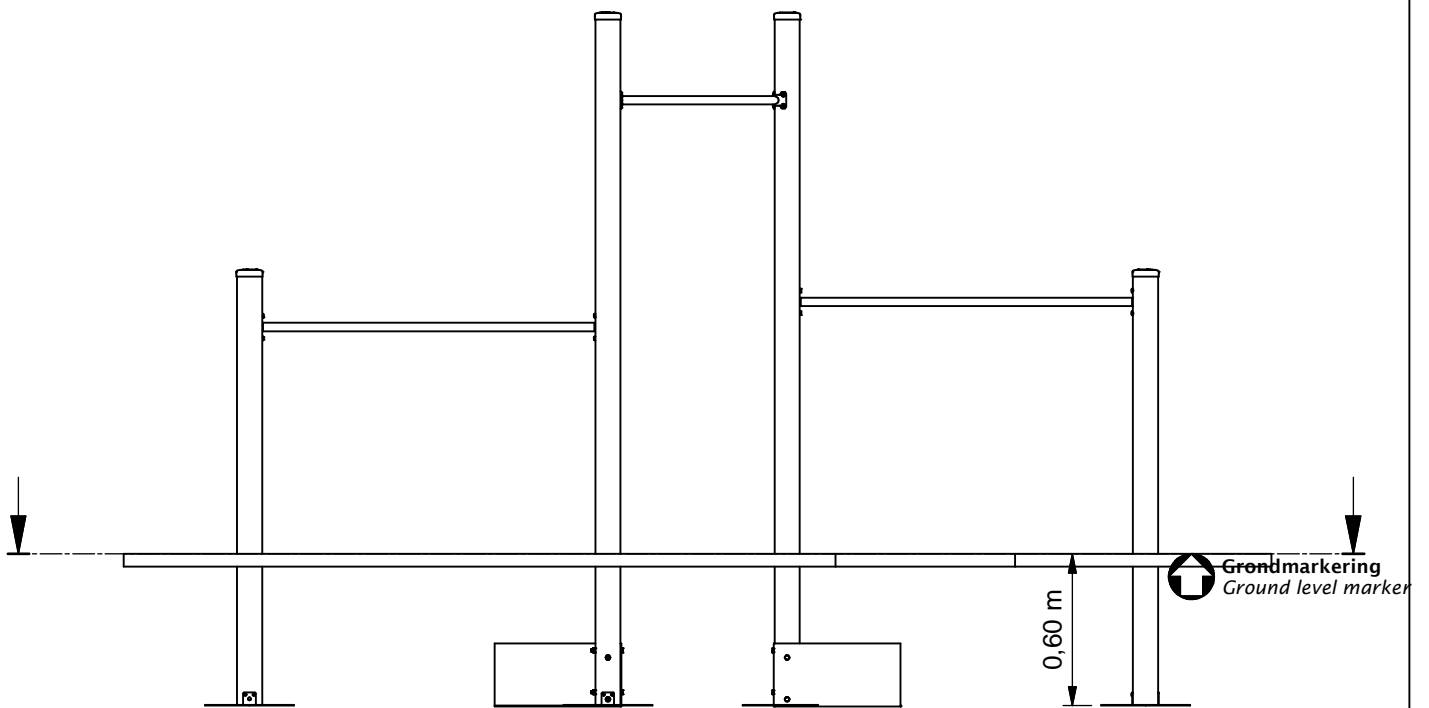
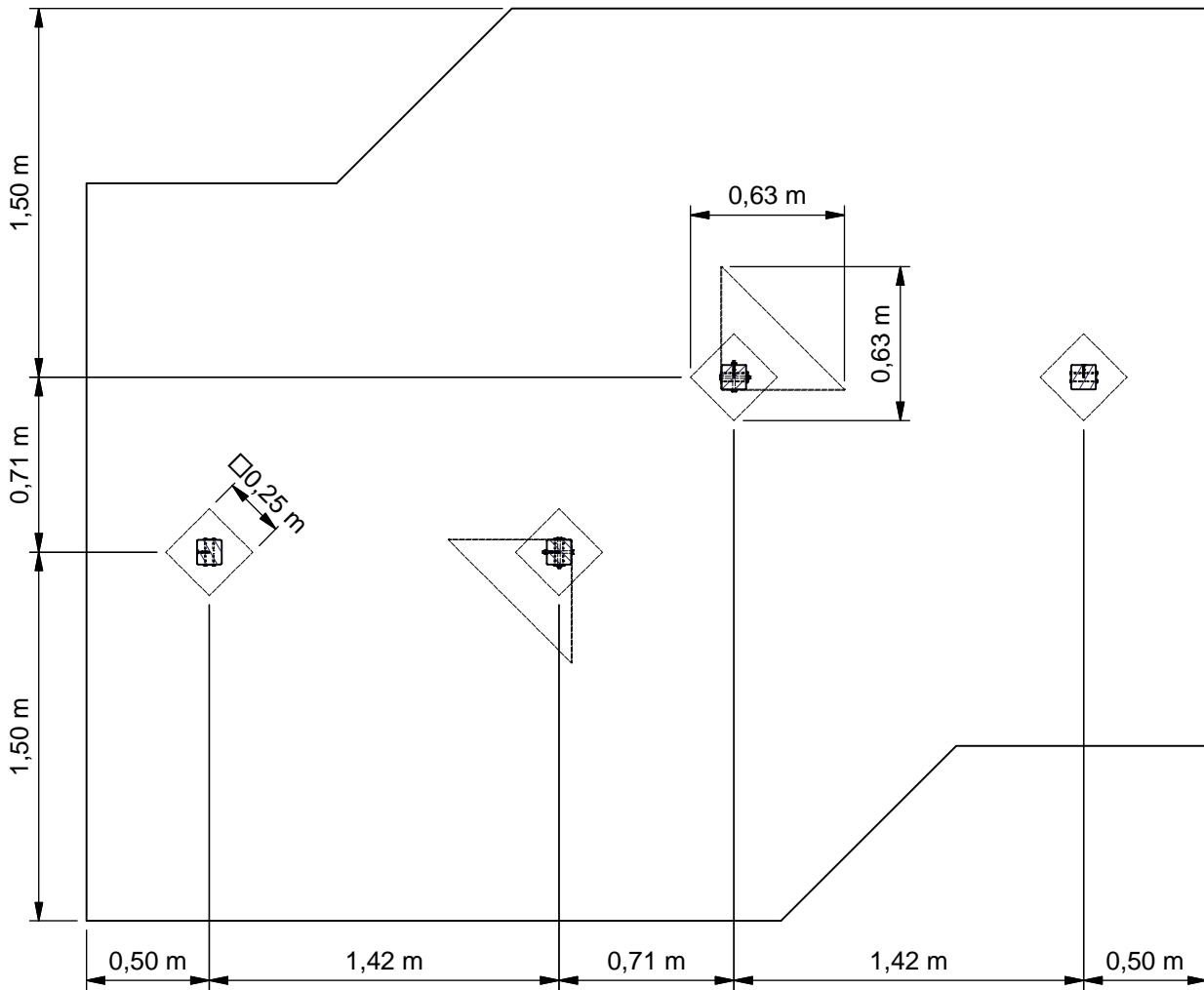
Opmerking
Comment | Hardhout

Datum
Date | 5-7-2010

Tekening
Drawing

TOE SOL 030 276

Obstakelvrije zone *Obstacle free zone*



Benaming
Title Rekstok trio

Opmerking
Comment Hardhout

Datum
Date 5-7-2010

Tekening
Drawing

TOE SOL 030 276

Bodemplan Groundplan

Geleverde modules:

Zie tabel

Supplied modules:

See table

Montageinstructie:

- De hoofdmaten geven de maten van de standers en vloeren aan
- De detailtekeningen geven specifiek de maten van de verbindingen aan
- De modules met buizen zijn op de tekeningen bemaat op bovenkant kopplaat
- Overige modules zijn bemaat op de bovenkant (klimwanden, paalkappen, etc.)

Assembly instruction:

- The main dimensions indicate the dimensions of the posts and floors
- The detailed dimensions show the specific dimensions of the connections
- The modules which contain tubes are dimensioned at the top of the flanges
- Other modules are dimensioned at the top (climbing walls, caps for the posts, etc.)

Montagevolgorde:

- 1 - Graaf de gaten volgens het bodemplan
- 2 - Plaats 3(2x),4,5(2x)
- 3 - Plaats 1,2 en verbind deze aan 3
- 4 - Plaats 1,2 en verbind deze aan 3
- 5 - Controleer of het toestel voldoet aan de afmetingen zoals op blad 'afmetingen'
- 6 - Dicht de gaten en verdicht het zand

Assembly sequence:

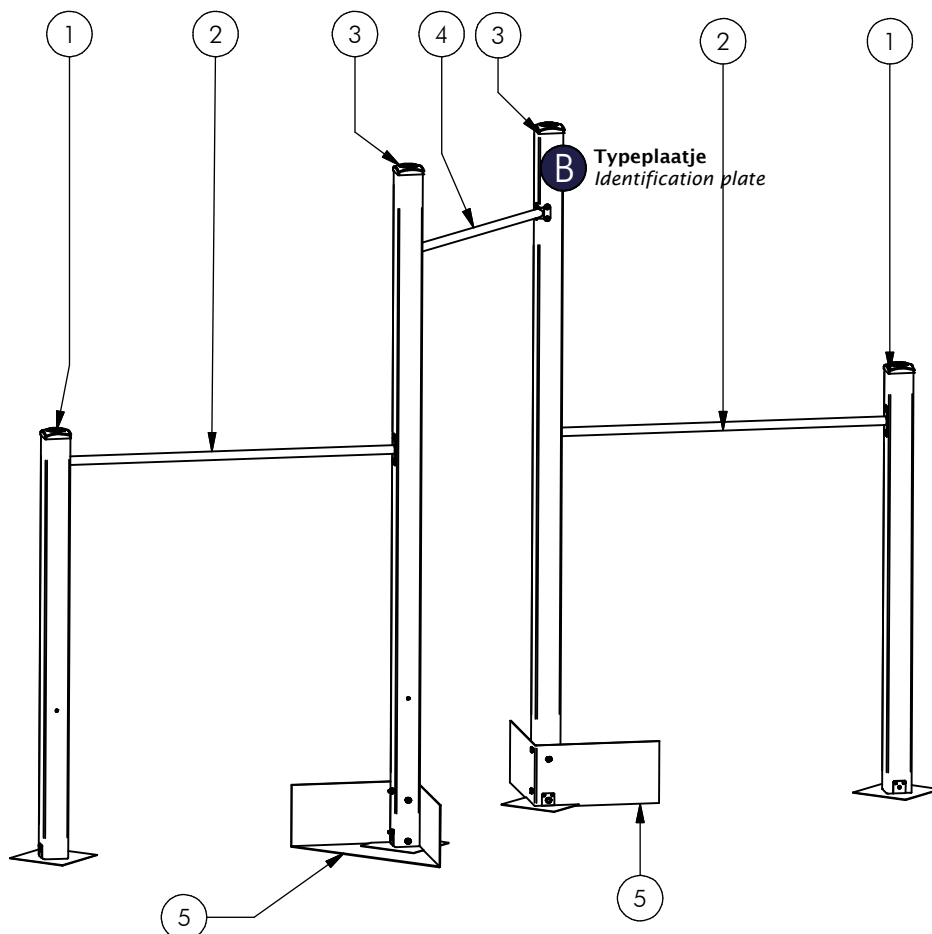
- 1 - Dig the holes according to the ground plan
- 2 - Place 3(2x),4,5(2x)
- 3 - Place 1,2 and attach it to 3
- 4 - Place 1,2 and attach it to 3
- 5 - Check that the equipment conforms to the dimensions shown on sheet 'dimensions'
- 6 - Close the holes and compact the sand

Controles:

- 1 - Correcte opbouw en alle bevestigingsmiddelen
- 2 - Controleer de afmetingen van de valbodem t.o.v. het toestel

Checks:

- 1 - Correct assembly and all the fasteners
- 2 - Check the dimensions of the safety area with regard to the play equipment



Nr	#	Type	Progr.	Volgnr	Bew.	Rev.	Benaming	Opmerking
1	2	MOD	SOL	030	375		DUIKELSTAANDER	111 CM
2	2	MOD	VRB	HHT	050		BUIS	DIAGONAAL
3	2	MOD	VRB	HHT	052		STAANDER	213 CM
4	1	MOD	VRB	HHT	075		SYSTEEMBUIS	ENKEL
5	2	MOD	VRB	HHT	122		Zwaar anker	Hardhout



Benaming Title Rekstok trio
 Opmerking Comment Hardhout
 Datum Date 5-7-2010

Tekening Drawing

TOE SOL 030 276

Modules Modules

SOLE030.276

Triple Horizontal bar

LOGBOOK

(Onderstaand logboek kan gebruikt worden om te voldoen aan de eisen, gesteld in artikel 14 van het Warenwetbesluit Attractie- en Speeltoestellen)

Type indication	Sports equipment
Product code	SOLE030.276
Name of equipment	Rekstok trio hardhout
Maximum height of fall	1,9 m
Year of construction	2017
Certificate	0183402366
inspection authority	NVT -
Name manufacturer	BOERplay Hyacintstraat 2 - 4255 HX Nieuwendijk Phone: +31 (0)183 40 23 66 Fax: +31 (0)183 40 35 64
name installer	_____ _____
Description of equipment	Triple Horizontal bar
Location of equipment	_____
Data about the owner of the play equipment	
Name:	_____
Address:	_____
Postcode and town:	_____
Contact person:	_____
Telephone number:	_____
Data about the administrator of the play equipment	
Name:	_____
Address:	_____
Postcode and town:	_____
Contact person:	_____
Telephone number:	_____

LOGBOOK

Inspection and maintenance intervals



Nr.	Inspection	Maintenance	months between inspections
1	Verify equipment's stability, junctions and missing parts. Inspect bolts, screws and nuts for absence, jams, corrosion and wear.	Add missing parts, secure joints, apply missing fixing agent and replace corroded parts.	1
2	Check suspension for wear.	Replace worn parts and/or remove non-functioning parts.	1
3	Inspect rotating parts such as hinges, rolling-element bearings, etc. for wear and acceptability.	Replace worn parts and/or remove non-functioning parts.	1
4	Check wood for splinters, unacceptable damage and signs of rot. Especially at ground level.	Repair damage. Replace affected wood. Smoothen splintered wood and sharp edges.	1
5	Inspect foundation for stability, tearing and coverage.	Restore foundation and covering material.	3
6	Examine rubber and synthetic parts for wear, damage and break.	Replace original parts.	3
7	Inspect metal for corrosion and damage in the coating.	Restore any damaged coating (after removing rust and applying primer).	6
8	Check ropes, cables, chains and nets for wear and damage. Steel cables and nets which are tensioned must be checked for tension.	Replace parts where necessary. Steel cables and nets must be tensioned.	3
9	Inspect equipment for unsafe changes and additions.	Remove unsafe additions and correct unsafe changes.	1
10	Inspect safety surfaces.	Restore and repair where necessary.	1

Remarks

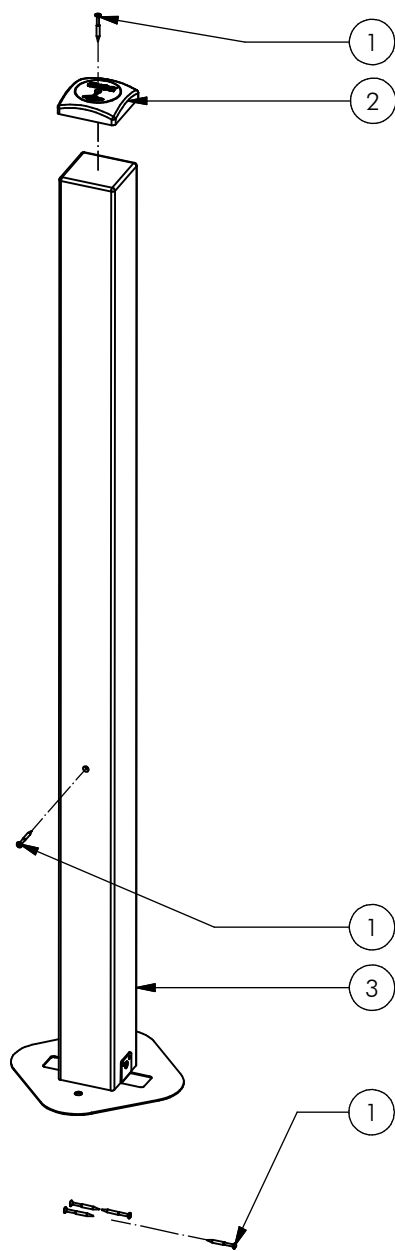
1. If used intensively, all points require extra attention.
2. Extreme weather conditions and locations may require a higher inspection frequency. Discuss this with the supplier.
3. Vandalism-sensitive locations require stricter inspections, possibly daily.
4. Check the terrain regularly for items that do not belong there, are unsafe or may be used wrongly. Examples are poisonous plants, glass shards, etc. Frequency depends on strain.
5. Remember that bad maintenance leads to unsafe conditions and notably faster impoverishment of the playground area.
6. Replacement parts can be ordered at the manufacturer with the part numbers on the module drawing. Drawings can be found in de user guide.
7. The impact area shall be provided with impact attenuating surface according to the specified falling height.
8. This list is conform the CEN-standard "playground equipment and surfacing NEN-EN 1176-7".



Dit toestel is geen speeltoestel conform het warenwetbesluit attractie- en speeltoestellen, en is dus niet als zodanig gecertificeerd.

This equipment is not playground equipment, so it has not been certified as such.





POS	N	TYPE	PROJ.	NR.	BEH.	R	BENAMING	OPMERKING
1	6	BSR	002	005	050		Schroef Assy	5 x 50 - RVS A2-70
2	1	OME	KAP	100	502	B	Paalkap 100x100	Aluminium
3	1	OHO	VRB	040	HHT		STAANDER	DUIKEL 111 CM
4	1	OME	VRB	903	VZP	C	Voetplaat	100 x 100



Benaming
Title | DUIKELSTAANDER

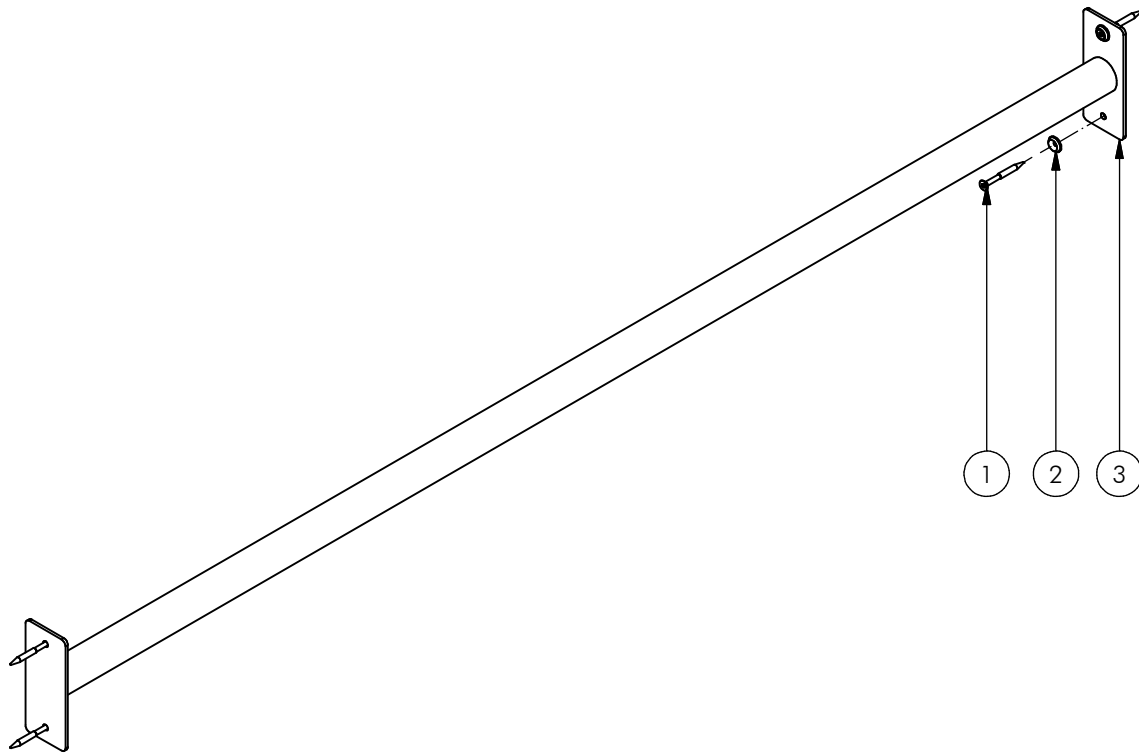
Opmerking
Comment | 111 CM

Datum
Date | 17-1-2017

Tekening
Drawing

MOD SOL 030 375

Samenstelling module Assembly module



Nr	#	Type	Progr.	Volgnr	Bew.	Rev.	Benaming	Opmerking
1	4	BSR	002	005	050		Schroef Assy	5 x 50 - RVS A2-70
2	4	BSR	036	005	015		Facet ring	M5 - RVS A2-70
3	1	SME	VRB	022	320	D	SYSTEEMBUIS	DIAGONAAL



Benaming
Title BUIS

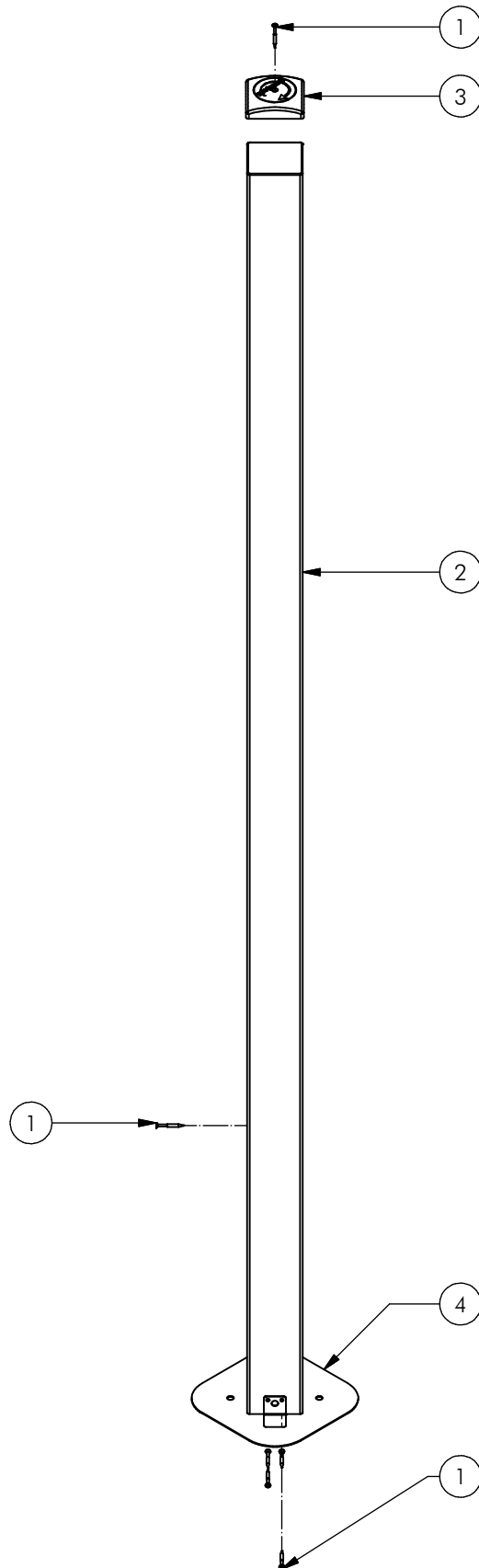
Opmerking
Comment DIAGONAAL

Datum
Date 25-9-2006

Tekening
Drawing

MOD VRB HHT 050

Samenstelling module *Assembly module*



Nr	#	Type	Progr.	Volgnr	Bew.	Rev.	Benaming	Opmerking
1	6	BSR	002	005	050		SCHROEF	5 x 50
2	1	OHO	HHT	100	012		Staander HHT	100x100, lengte=2730
3	1	OME	KAP	100	ZMK		PAALKAP 100	Zamak, RAL 5003
4	1	OME	VRB	903	VZP	C	Voetplaat	100 x 100



Benaming
Title STAANDER

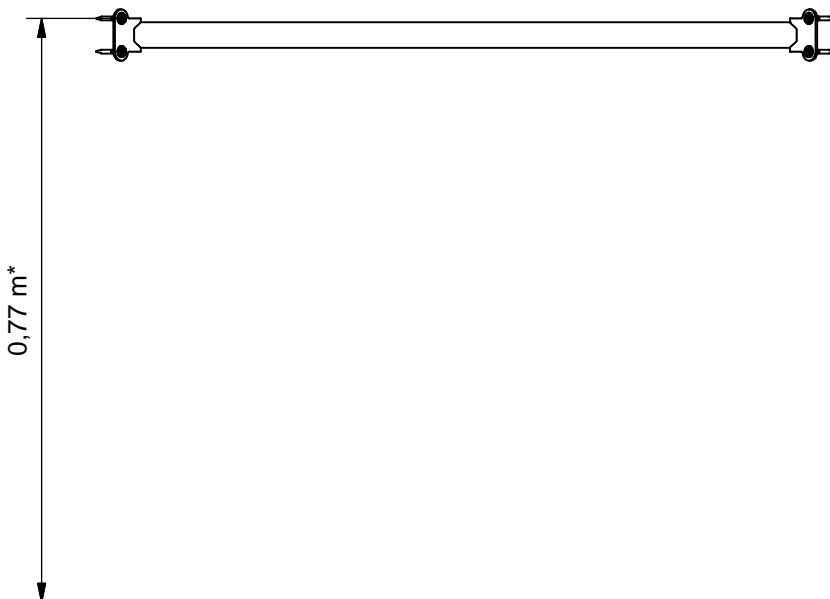
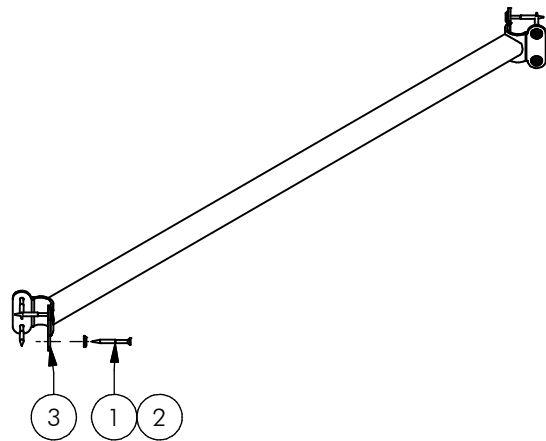
Opmerking
Comment 213 CM

Datum
Date 22-11-2006

Tekening
Drawing

MOD VRB HHT 052

Samenstelling module Assembly module



Bovenkant bordes
(Top platform)

*Gebruikt als railing
*Used as railing

Nr	#	Type	Progr.	Volgnr	Bew.	Rev.	Benaming	Opmerking
1	8	BSR	002	005	050		Schroef Assy	5 x 50 - RVS A2-70
2	8	BSR	036	005	015		Facet ring	M5 - RVS A2-70
3	1	SME	VRB	505	320	D	SYSTEEMBUIS	VRJIBUITER RVS

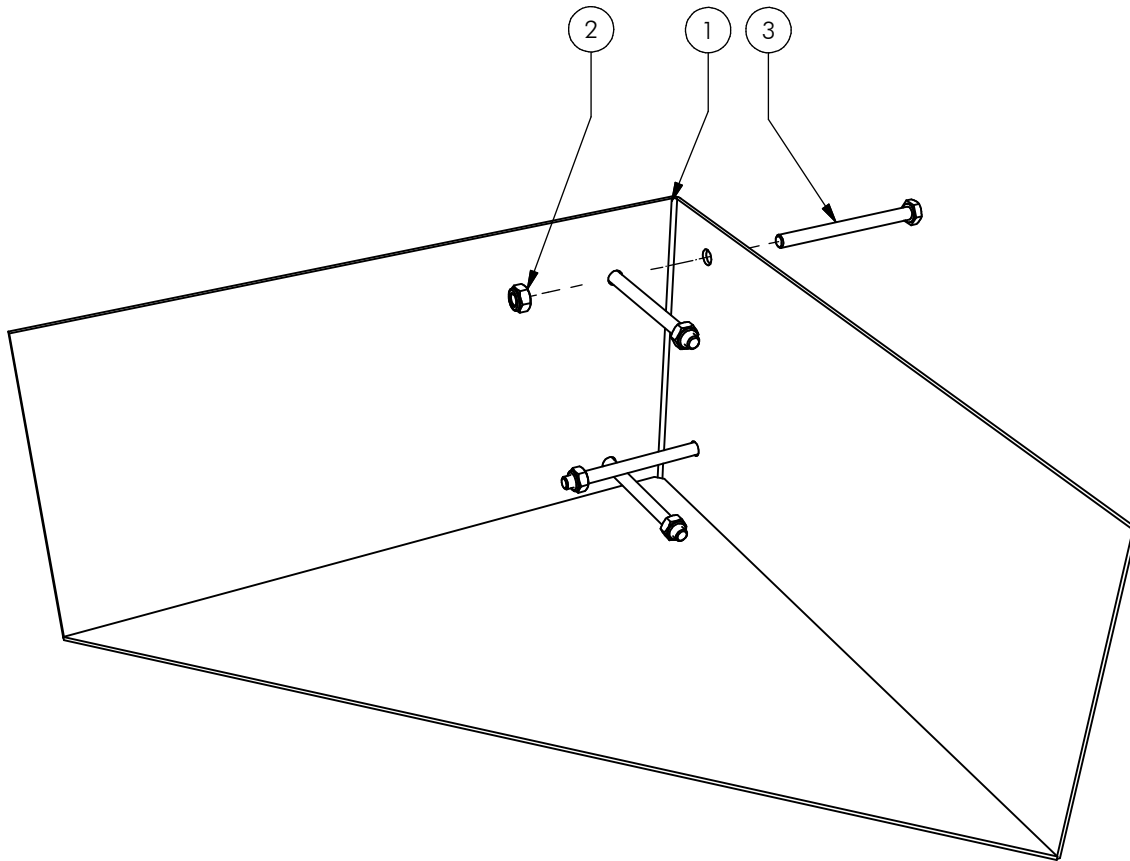


Benaming
Title | SYSTEEMBUIS
Opmerking
Comment | ENKEL
Datum
Date | 25-9-2006

Tekening
Drawing

MOD VRB HHT 075

Samenstelling module Assembly module



1	1	SME	VRB	616	372		Grondanker	Extra zwaar
3	4	BSR	021	010	120		ZESKANTBOUT	M10 x 120
2	4	BSR	010	010	010		BORGMOER	M10
POS	N	TYPE	PROJ.	NR.	BEH.	R	BENAMING	OPMERKING



Benaming
Title: Zwaar anker

Opmerking
Comment: Hardhout

Datum
Date: 8-4-2009

Tekening
Drawing

MOD VRB HHT 122

Samenstelling module *Assembly module*