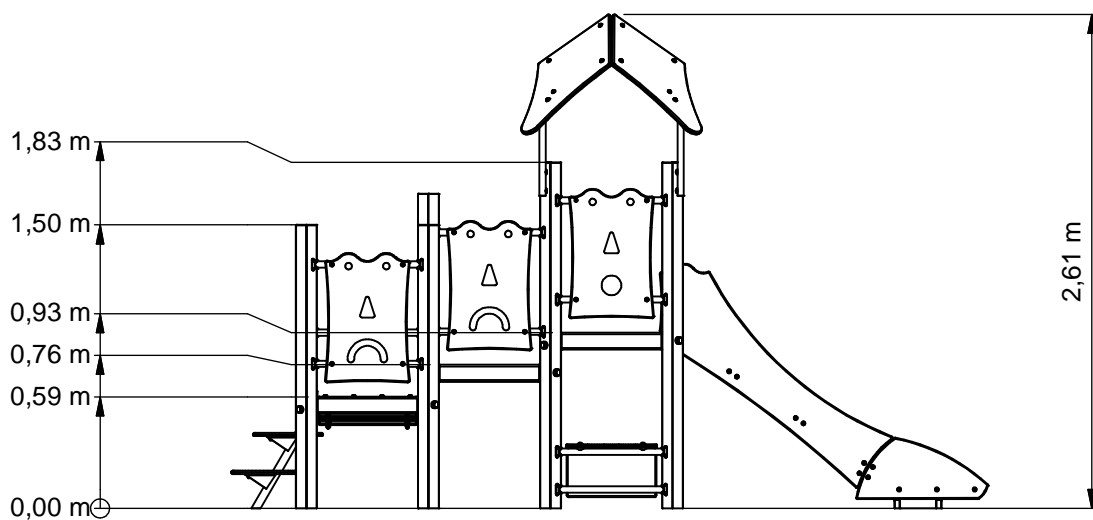
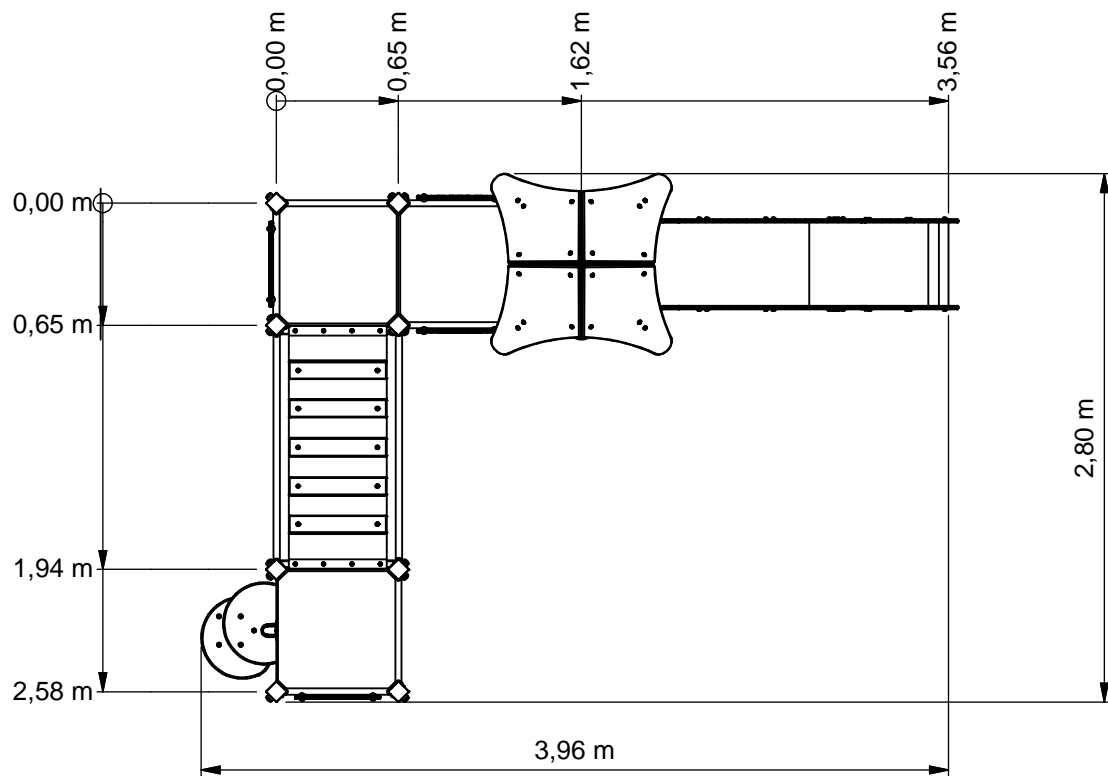


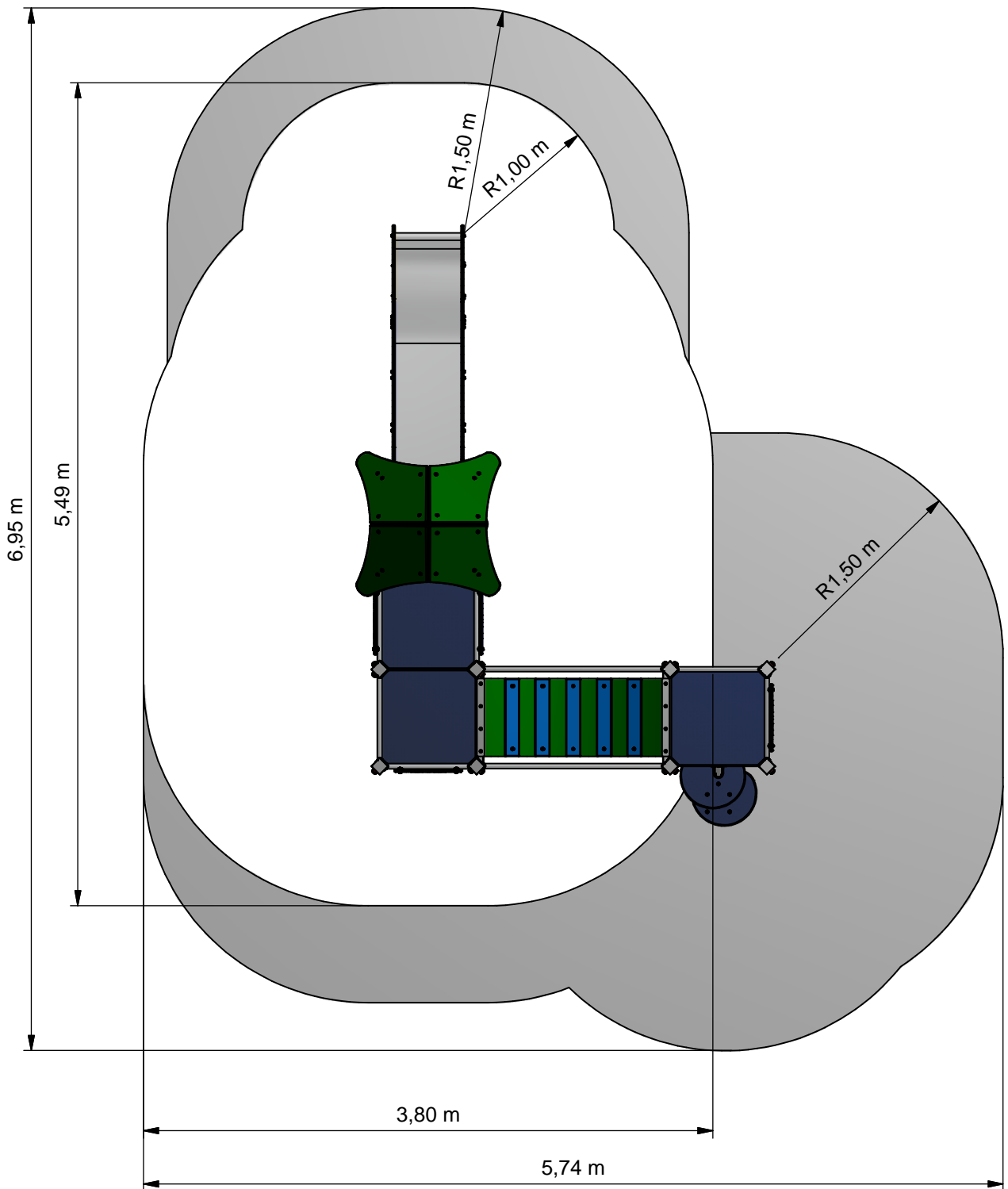


Combination equipment



UKPE064.05R





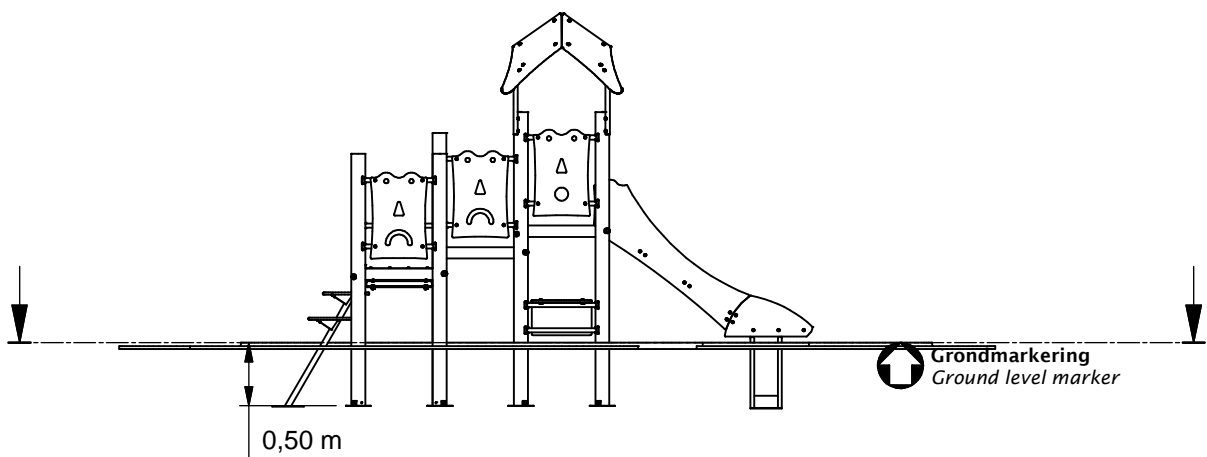
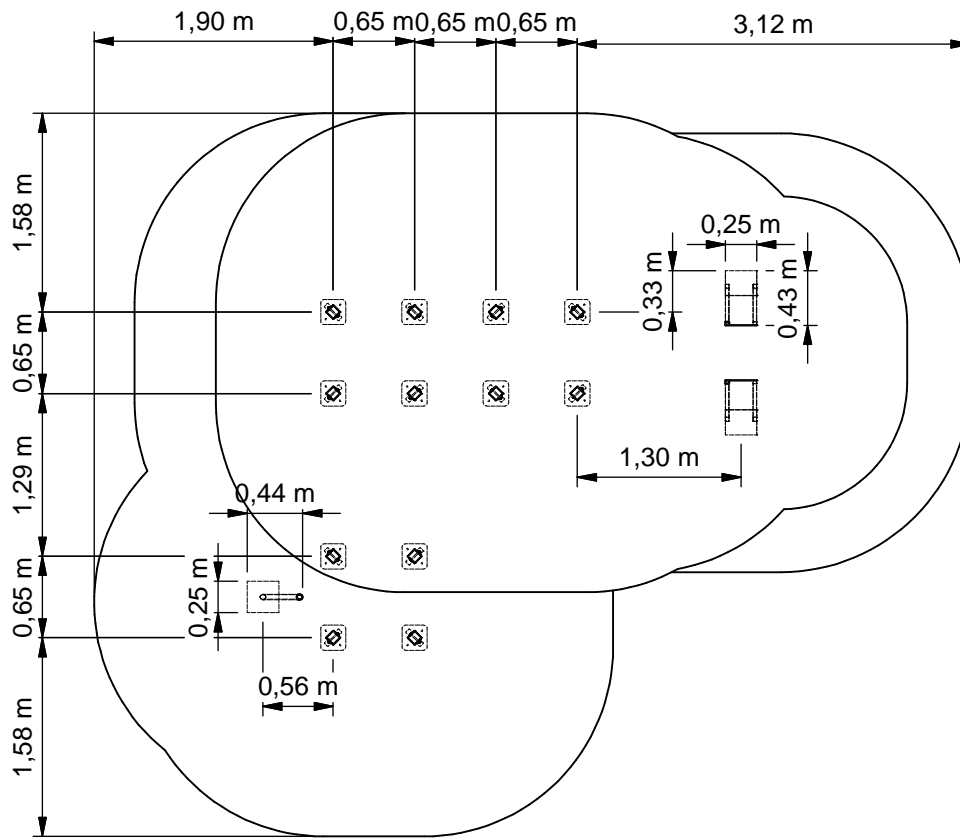
- Opvangzone
Impact area
- Obstakelvrije zone
Obstacle free zone



Benaming / Title: Ukkepuk
 Opmerking / Comment: RVS
 Datum / Date: 13-3-2014

Tekening / Drawing

TOE UKP 064 05R A
 Obstakelvrije zone *Obstacle free zone*

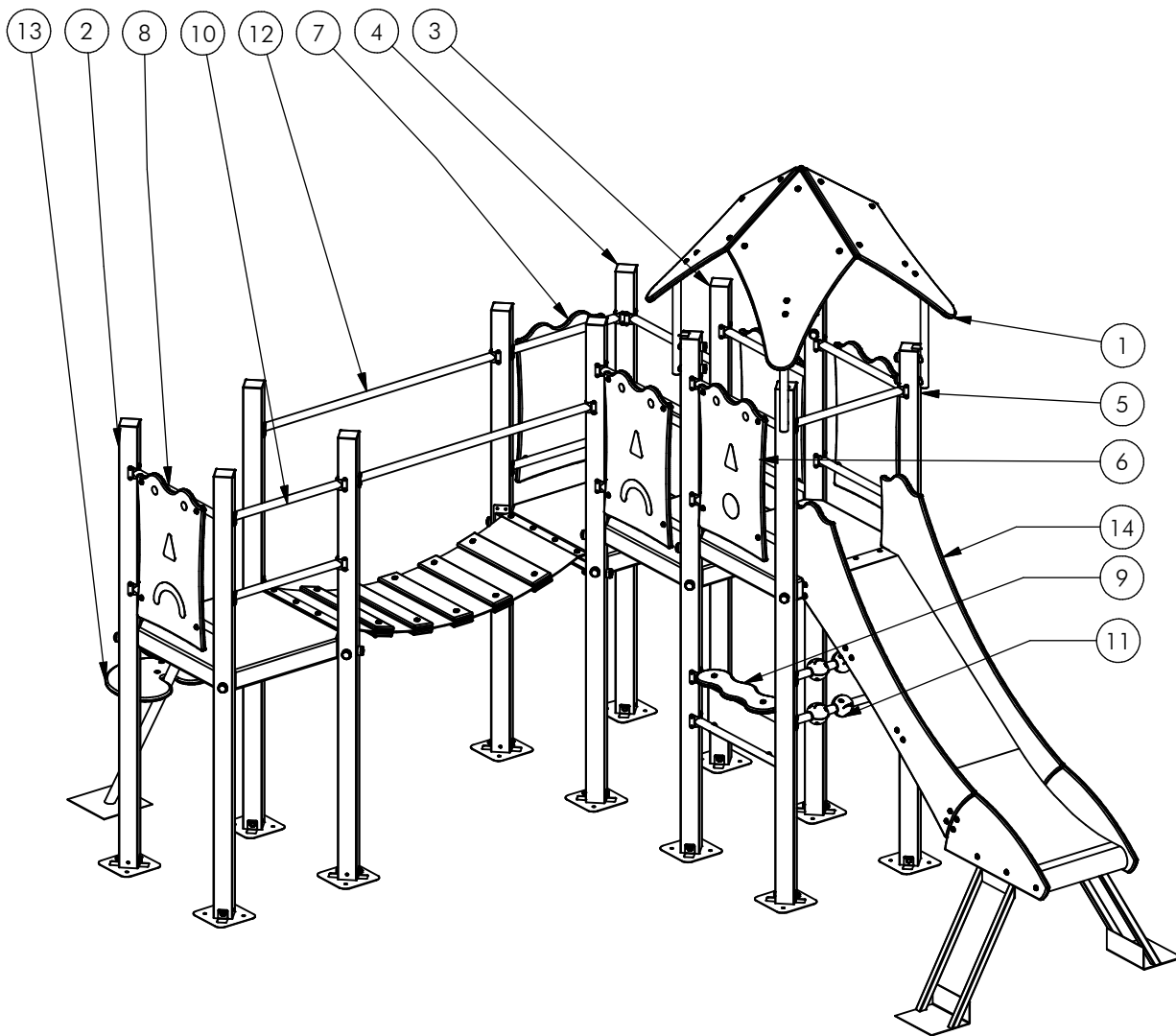


Benaming / Title: Ukkepek
 Opmerking / Comment: RVS
 Datum / Date: 13-3-2014

Tekening / Drawing

TOE UKP 064 05R A

Bodemplan Groundplan



Nr	#	Type	Progr.	Volgnr	Bew.	Rev.	Benaming	Opmerking
1	1	MOD	UKP	RVS	103	A	DAK	UKKEPUK
2	1	MOD	UKP	RVS	104		TOREN LAAG	UKKEPUK
3	1	MOD	UKP	RVS	105		TOREN TUSSENSTAP	UKKEPUK
4	1	MOD	UKP	RVS	107		HALF TOREN LAAG	UKKEPUK
5	1	MOD	UKP	RVS	108		HALF TOREN HOOG	UKKEPUK
6	2	MOD	UKP	RVS	110	A	WANDJE OH	UKKEPUK
7	2	MOD	UKP	RVS	111	A	WANDJE LACH	UKKEPUK
8	2	MOD	UKP	RVS	112	A	WANDJE HUIL	UKKEPUK
9	1	MOD	UKP	RVS	121	A	Toonbank	Ukkepek
10	2	MOD	UKP	RVS	131		SYSTEEMBUIS DUBBEL	UKKEPUK
11	2	MOD	UKP	RVS	134		TELBOLBUIS	UKKEPUK
12	1	MOD	UKP	RVS	166	A	Wiebelbrug	Ukkepek
13	1	MOD	UKP	RVS	168		Boomtrap	Ukkepek
14	1	MOD	UKP	RVS	178	A	Glijbaan	93 cm Vloer

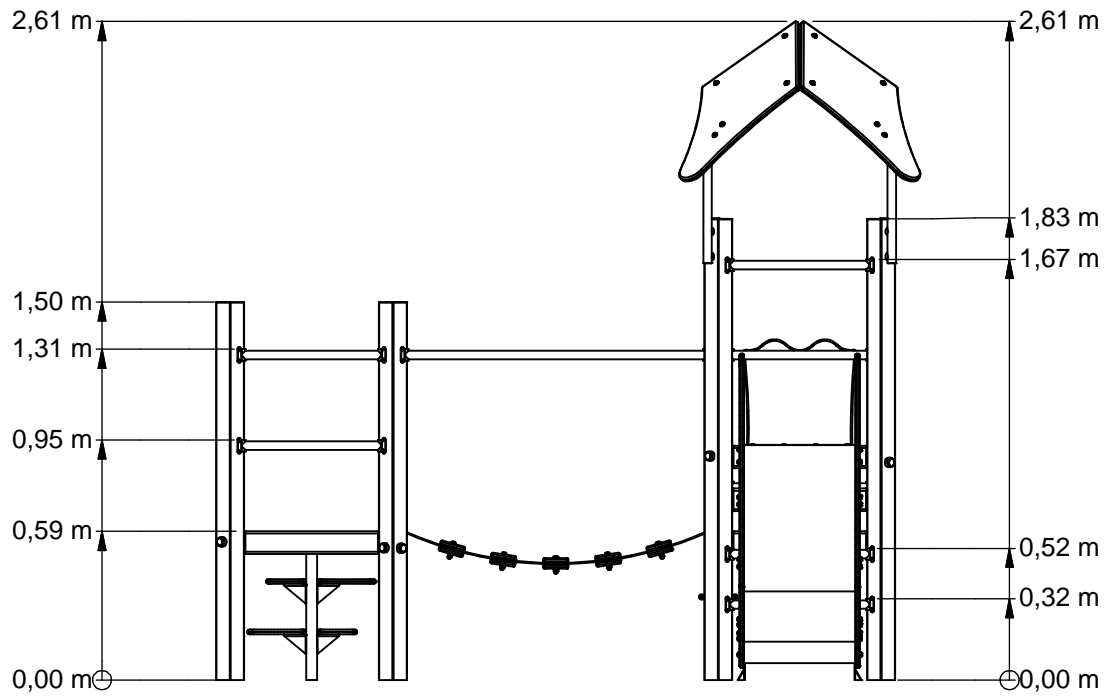


Benaming Title Ukkepek
 Opmerking Comment RVS
 Datum Date 13-3-2014

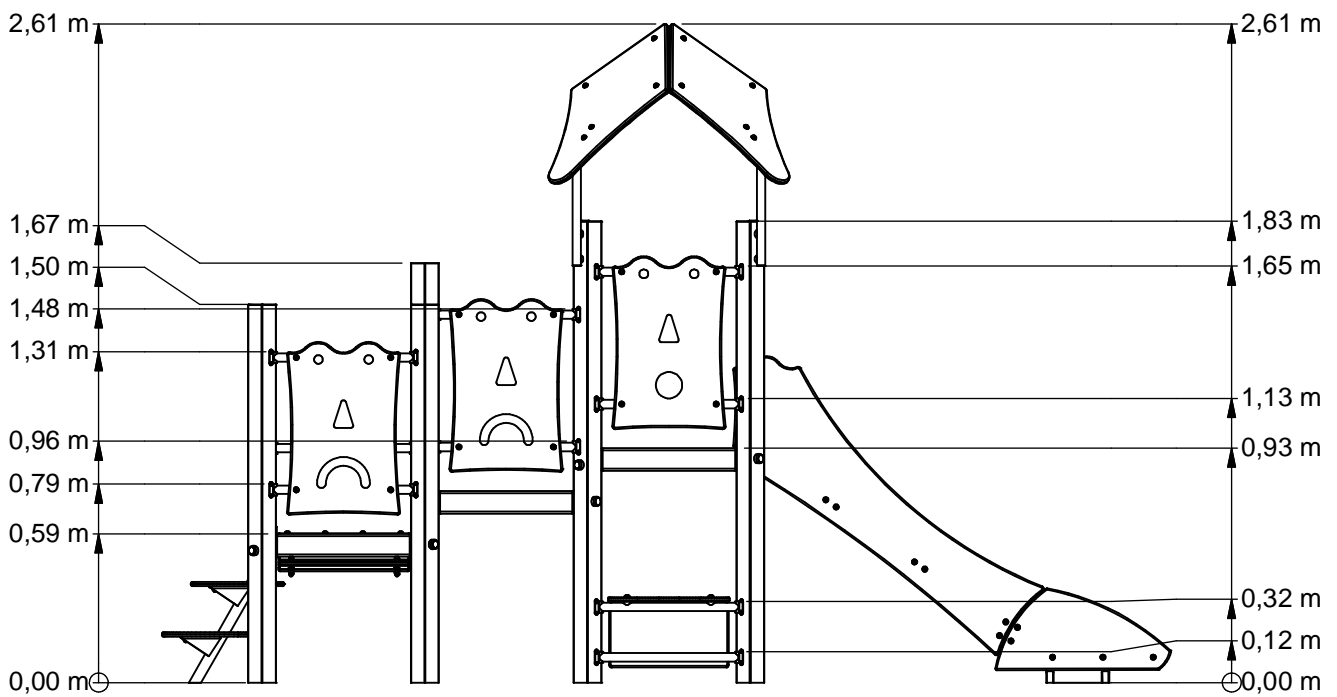
Tekening Drawing

TOE UKP 064 05R A

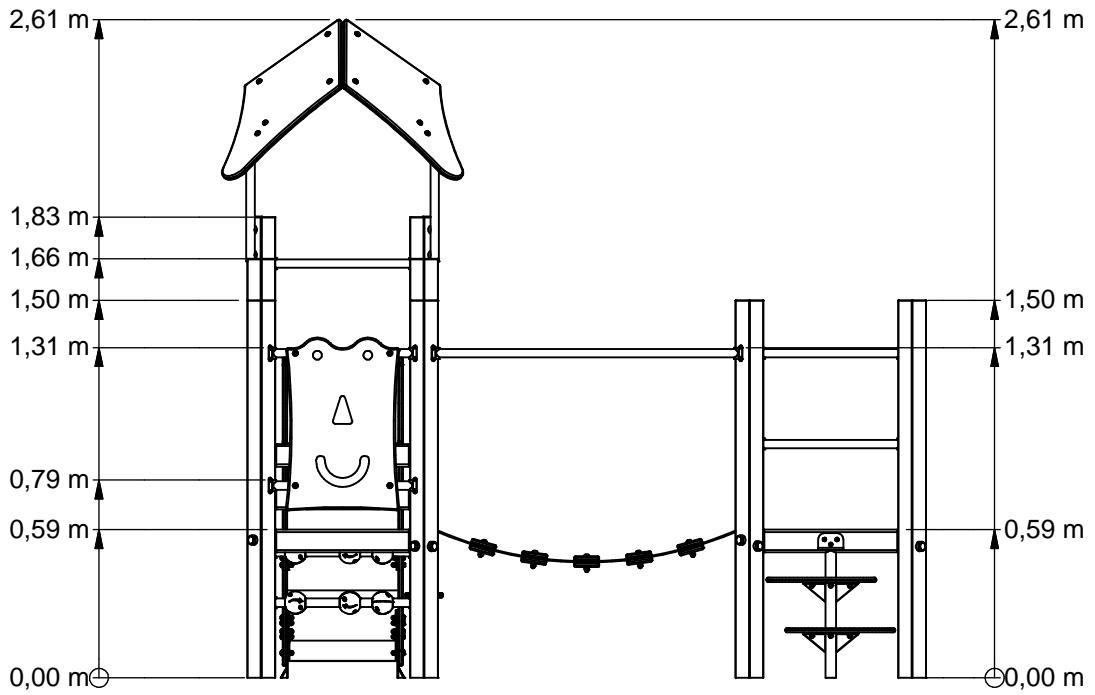
Modules Modules



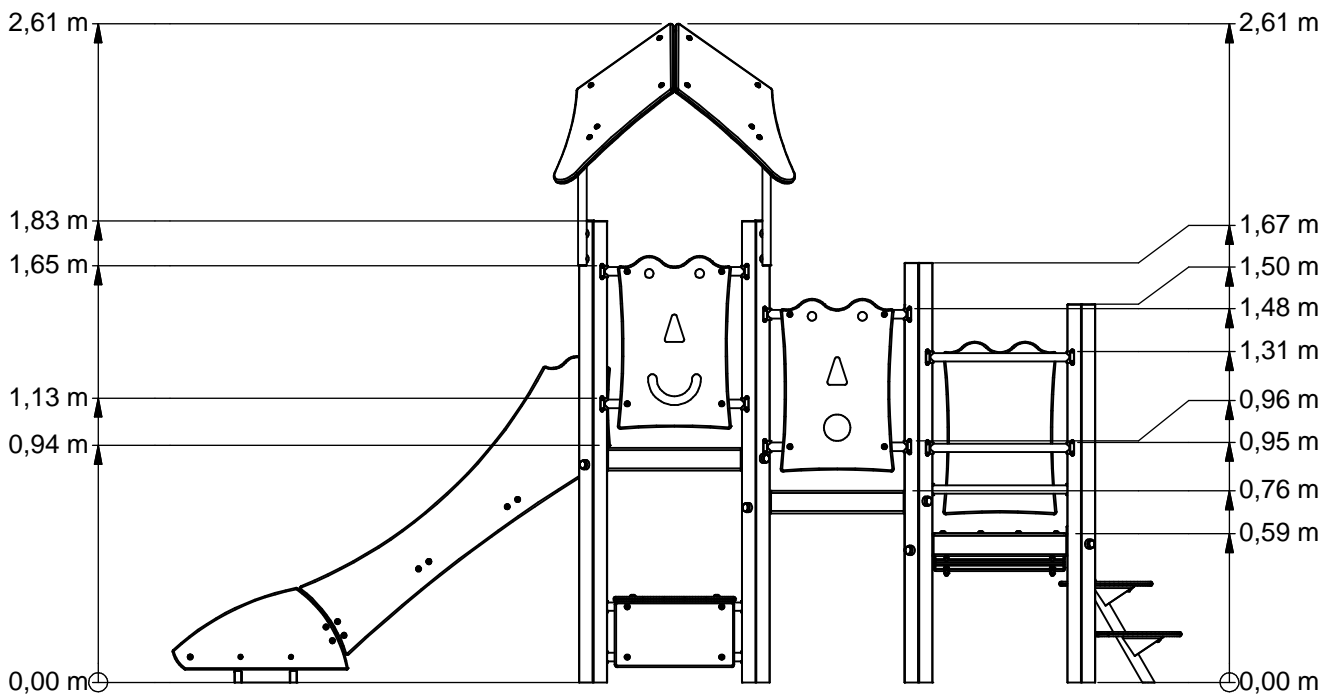
Voor
(Front)



Links
(Left)



Achter
(Back)



Rechts
(Right)



Benaming
Title Ukkepek
Opmerking
Comment RVS
Datum
Date 13-3-2014

Tekening
Drawing

TOE UKP 064 05R A

Afmetingen Dimensions

UKPE064.05R

Combination equipment

LOGBOOK

(Onderstaand logboek kan gebruikt worden om te voldoen aan de eisen, gesteld in artikel 14 van het Warenwetbesluit Attractie- en Speeltoestellen)

Type indication	Toddler Play
Product code	UKPE064.05R
Name of equipment	Ukkepuk Klimklautertoestel
Maximum height of fall	1,0 m
Year of construction	2017
Certificate	09200116218
inspection authority	Liftinstituut B.V. Buikslotermeerplein 381, A'dam - 1025 XE Amsterdam
Name manufacturer	BOERplay Hyacintstraat 2 - 4255 HX Nieuwendijk Phone: +31 (0)183 40 23 66 Fax: +31 (0)183 40 35 64
name installer	_____ _____
Description of equipment	Combination equipment
Location of equipment	_____
Data about the owner of the play equipment	
Name:	_____
Address:	_____
Postcode and town:	_____
Contact person:	_____
Telephone number:	_____
Data about the administrator of the play equipment	
Name:	_____
Address:	_____
Postcode and town:	_____
Contact person:	_____
Telephone number:	_____

LOGBOOK

Inspection and maintenance intervals



Nr.	Inspection	Maintenance	months between inspections
1	Verify equipment's stability, junctions and missing parts. Inspect bolts, screws and nuts for absence, jams, corrosion and wear.	Add missing parts, secure joints, apply missing fixing agent and replace corroded parts.	1
2	Check suspension for wear.	Replace worn parts and/or remove non-functioning parts.	1
3	Inspect rotating parts such as hinges, rolling-element bearings, etc. for wear and acceptability.	Replace worn parts and/or remove non-functioning parts.	1
4	Check wood for splinters, unacceptable damage and signs of rot. Especially at ground level.	Repair damage. Replace affected wood. Smoothen splintered wood and sharp edges.	1
5	Inspect foundation for stability, tearing and coverage.	Restore foundation and covering material.	3
6	Examine rubber and synthetic parts for wear, damage and break.	Replace original parts.	3
7	Inspect metal for corrosion and damage in the coating.	Restore any damaged coating (after removing rust and applying primer).	6
8	Check ropes, cables, chains and nets for wear and damage. Steel cables and nets which are tensioned must be checked for tension.	Replace parts where necessary. Steel cables and nets must be tensioned.	3
9	Inspect equipment for unsafe changes and additions.	Remove unsafe additions and correct unsafe changes.	1
10	Inspect safety surfaces.	Restore and repair where necessary.	1

Remarks

1. If used intensively, all points require extra attention.
2. Extreme weather conditions and locations may require a higher inspection frequency. Discuss this with the supplier.
3. Vandalism-sensitive locations require stricter inspections, possibly daily.
4. Check the terrain regularly for items that do not belong there, are unsafe or may be used wrongly. Examples are poisonous plants, glass shards, etc. Frequency depends on strain.
5. Remember that bad maintenance leads to unsafe conditions and notably faster impoverishment of the playground area.
6. Replacement parts can be ordered at the manufacturer with the part numbers on the module drawing. Drawings can be found in de user guide.
7. The impact area shall be provided with impact attenuating surface according to the specified falling height.
8. This list is conform the CEN-standard "playground equipment and surfacing NEN-EN 1176-7".

TYPE-EXAMINATION CERTIFICATE

Acting under the " Warenwetbesluit Attractie- en Speeltoestellen" issued by Liftinstituut B.V.
commissioned by departmental order, no. VGP/PSL 2857566 from 27 Juni 2008.

Certificate nr. : NL 09-2001-162-18 Revision nr.: 200116218

Description of the product : Playground equipment, Ukkepek

Trademark, type : Speelwijzer, UKP.....

Name and address of the manufacturer : Speelwijzer
Nijverheidsstraat 8
5317 NL Nederhemert Noord

Name and address of the certificate holder : Speelwijzer
Nijverheidsstraat 8
5317 NL Nederhemert Noord

Certificate issued on the basis of the following requirements : Warenwetbesluit Attractie- en Speeltoestellen

Test laboratory : None

Date and number of the laboratory report : None

Date of type-examination : 01-09-2001 t/m 03-09-2001, 21-02-2009

Annexes with this certificate : Report belonging to the type-examination certificate
nr.: NL 09-2001-162-18

Additional remarks : This certificate supersedes type certificate dated April 27th 2005,
with certificate number NL 09-2001-162-18

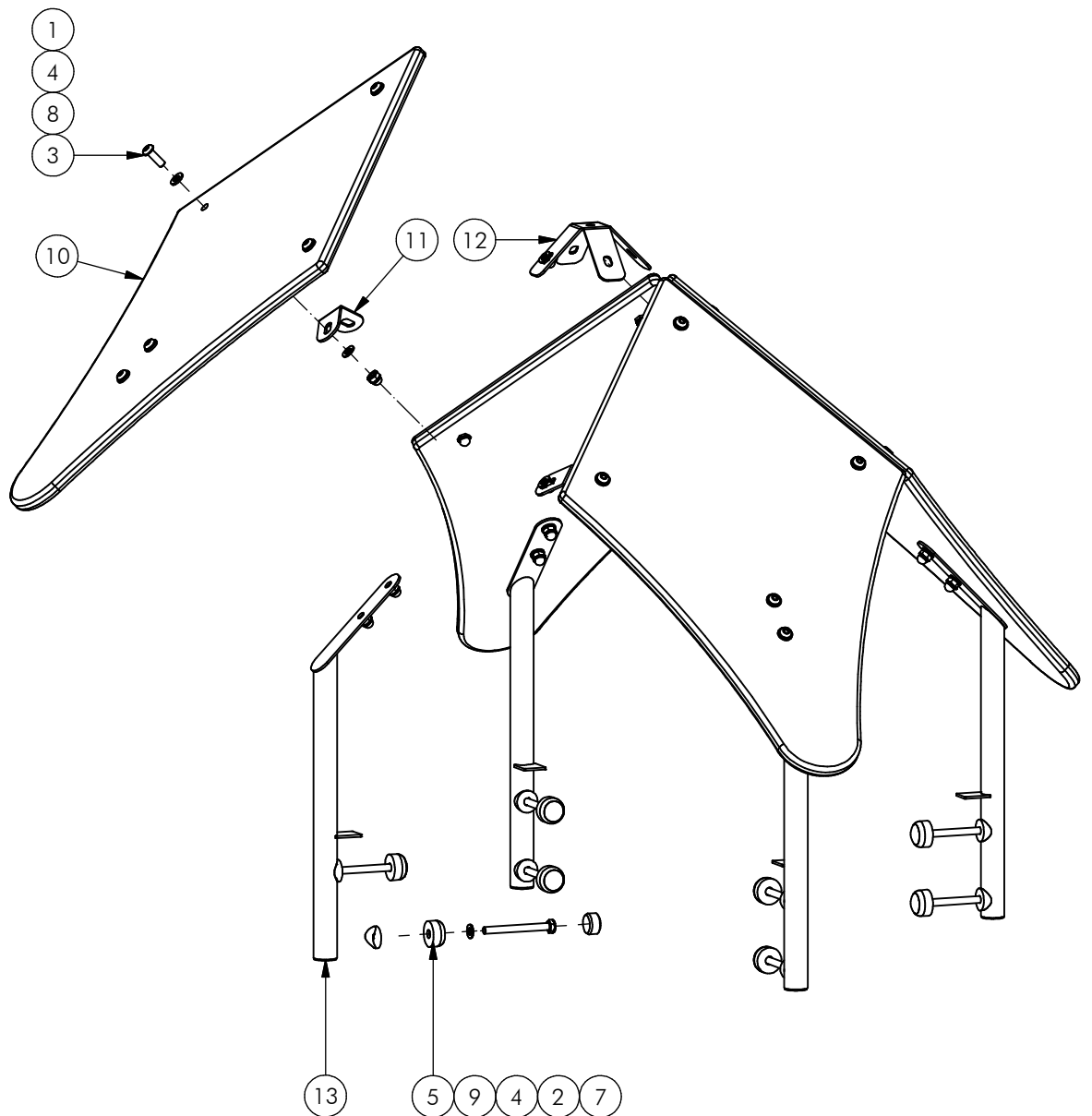
Conclusion : The playground equipment meets the requirements of the above
specified European standard(s) and "Warenwetbesluit Attractie-
en Speeltoestellen" taking into account any additional remarks
mentioned above.

Issued in Amsterdam

Date of issue : April 7th, 2009



Ir. V.M.A. Barendregt
Senior Officer Certification &
Technology
Liftinstituut B.V.



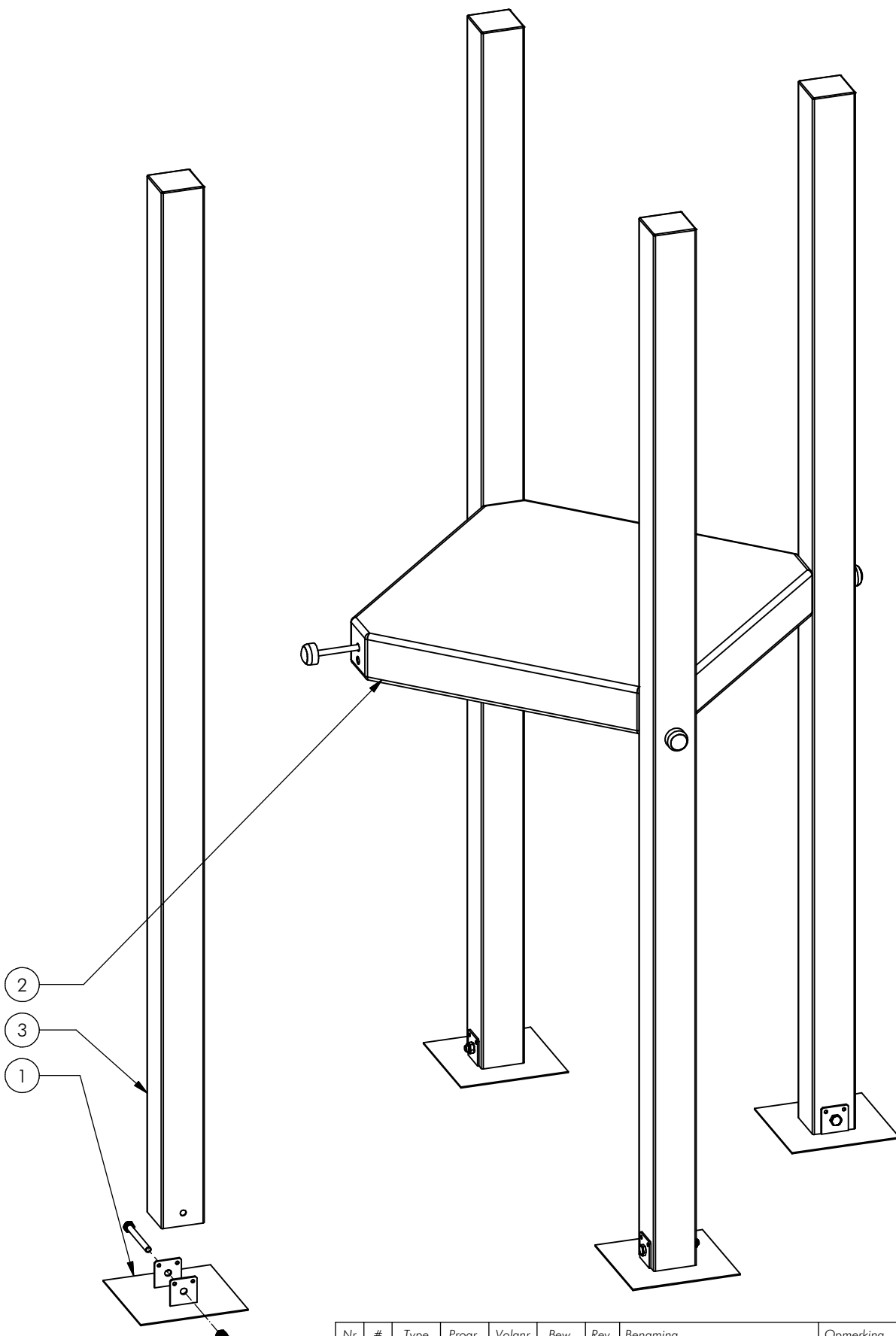
13	4	SME	UKP	546	320		Daksteun	Ukkepuk
12	1	OME	DRM	096	304		NOKBEUGEL	90 GRADEN
11	4	OME	DRM	054	304	A	Plaatbeugel	120 Graden
10	4	OPE	UKP	001	060	B	Dakplaat	Ukkepuk
9	8	KST	T33	010	000		ZADELRING	BUIS 33.7
8	20	KST	ROR	010	000		RING NYLON	M10 x 2.5 MM
7	8	KST	DOP	010	030		Bescherm dop M10-M12	Dop rood
6	20	KST	DOP	006	030		OPVULDOPJE	6 MM ROOD
5	8	KST	DON	010	030		Bescherm dop M10-M12	Donut Rood
4	28	BSR	030	010	002		SLUITRING	M10
3	20	BSR	023	010	030		Bolkopbout ISO 7380	M10 x 30 - RVS A2-70
2	8	BSR	021	010	100		Zeskantbout	M10 x 100 - RVS A2-70
1	20	BSR	011	010	020		DOPMOER	BORG RVS M10
POS	N	TYPE	PROJ.	NR.	BEH.	R	BENAMING	OPMERKING



Benaming Title DAK
 Opmerking Comment UKKEPUK
 Datum Date 14-3-2014

Tekening Drawing

MOD UKP RVS 103 A
 Samenstelling module Assembly module



Nr	#	Type	Progr.	Volgnr	Bew.	Rev.	Benaming	Opmerking
1	4	SMD	UKP	RVS	103		ANKER PLAAT	UKKEPUK
2	1	SMD	UKP	RVS	100		VLOER VIERKANT	UKKEPUK
3	4	SME	080	012	320		Staander RVS	80x80, lengte=1990

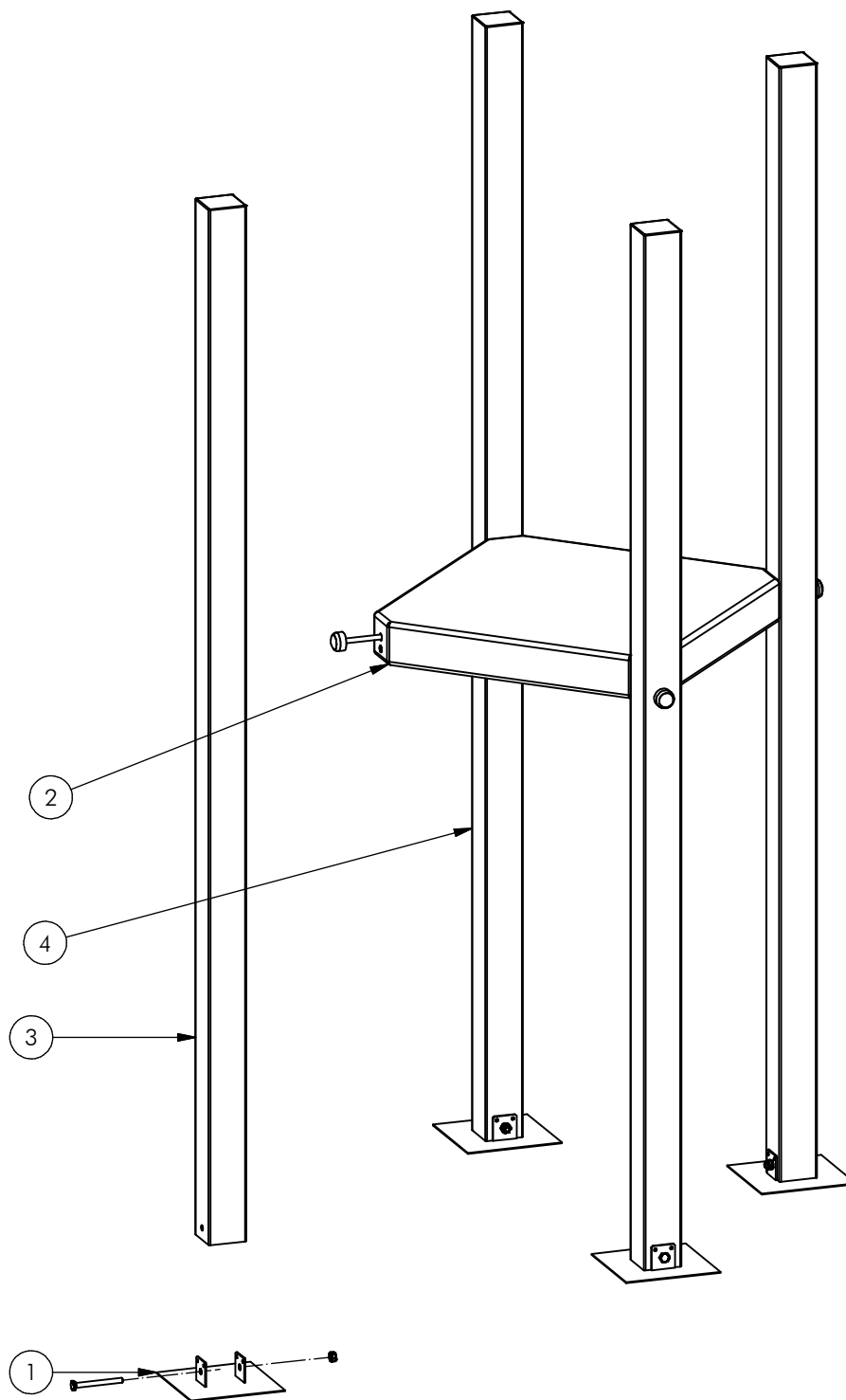


Benaming Title TOREN LAAG
 Opmerking Comment UKKEPUK
 Datum Date 29-1-2007

Tekening Drawing

MOD UKP RVS 104

Samenstelling module Assembly module



4	2	SME	080	014	320	Stander RVS	80x80, lengte=2330	
3	2	SME	080	013	320	Stander RVS	80x80, lengte=2160	
2	1	SMD	UKP	RVS	100	VLOER VIERKANT	UKKEPUK	
1	4	SMD	UKP	RVS	103	ANKER PLAAT	UKKEPUK	
POS	N	TYPE	PROJ.	NR.	BEH.	R	BENAMING	OPMERKING



Benaming
Title | TOREN TUSSENSTAP

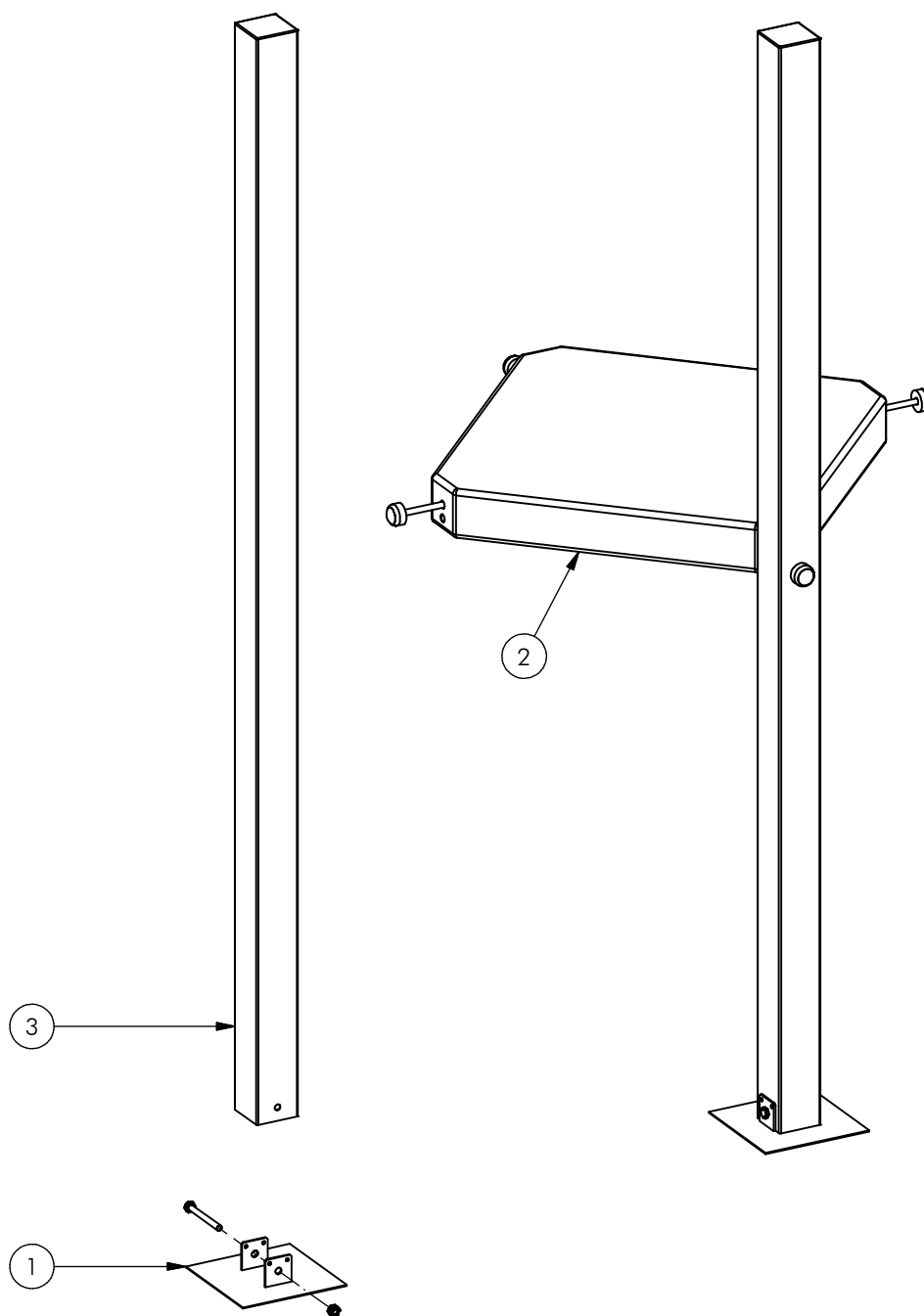
Opmerking
Comment | UKKEPUK

Datum
Date | 29-1-2007

Tekening
Drawing

MOD UKP RVS 105

Samenstelling module *Assembly module*



Nr	#	Type	Progr.	Volgnr	Bew.	Rev.	Benaming	Opmerking
1	2	SMD	UKP	RVS	103		ANKER PLAAT	UKKEPUK
2	1	SMD	UKP	RVS	100		VLOER VIERKANT	UKKEPUK
3	2	SME	080	012	320		Staander RVS	80x80, lengte=1990



Benaming
Title HALF TOREN LAAG

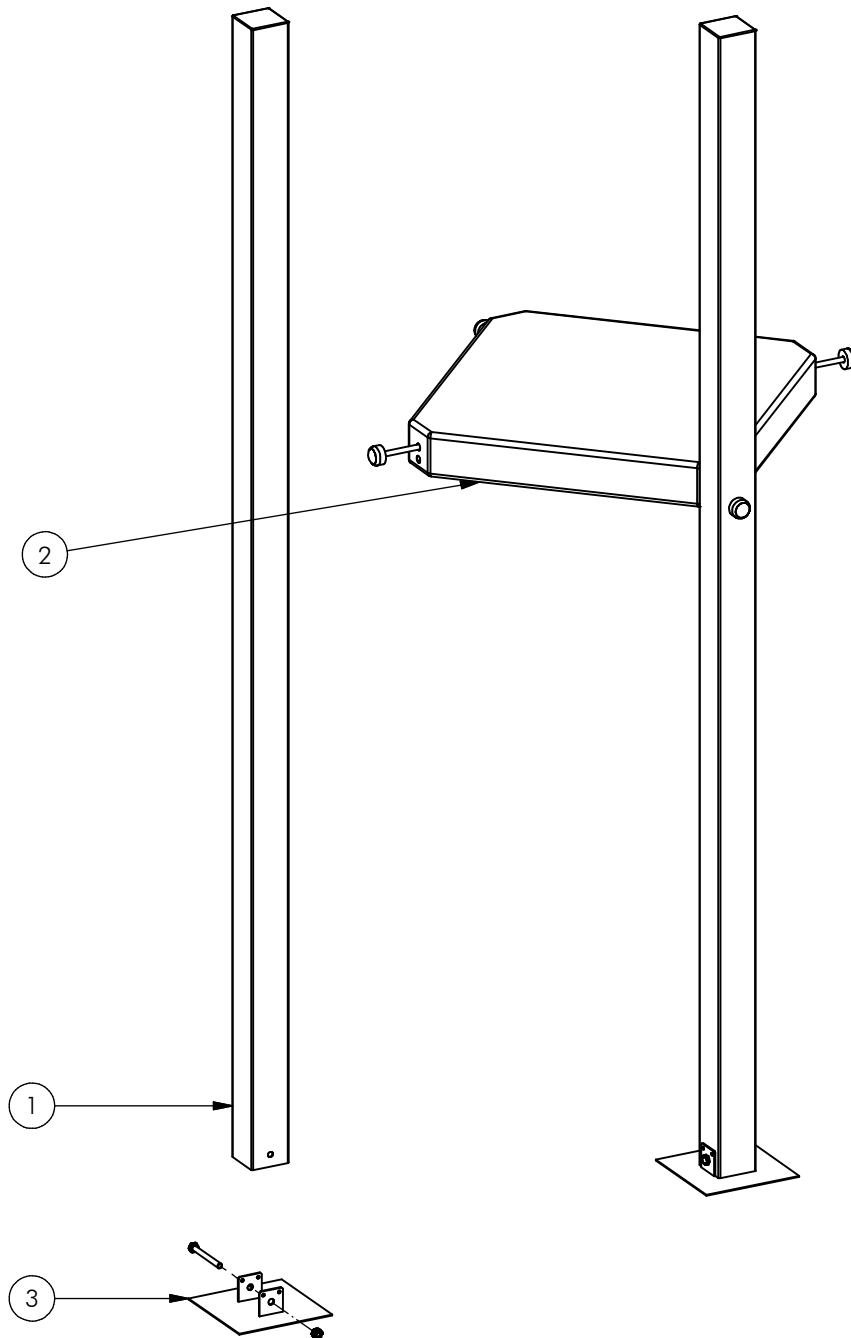
Opmerking
Comment UKKEPUK

Datum
Date 30-1-2007

Tekening
Drawing

MOD UKP RVS 107

Samenstelling module Assembly module



3	2	SMD	UKP	RVS	103	ANKER PLAAT	UKKEPUK
2	1	SMD	UKP	RVS	100	VLOER VIERKANT	UKKEPUK
1	2	SME	080	014	320	Staander RVS	80x80, lengte=2330
POS	N	TYPE	PROJ.	NR.	BEH.	R	BENAMING
							OPMERKING



Benaming
Title HALF TOREN HOOG

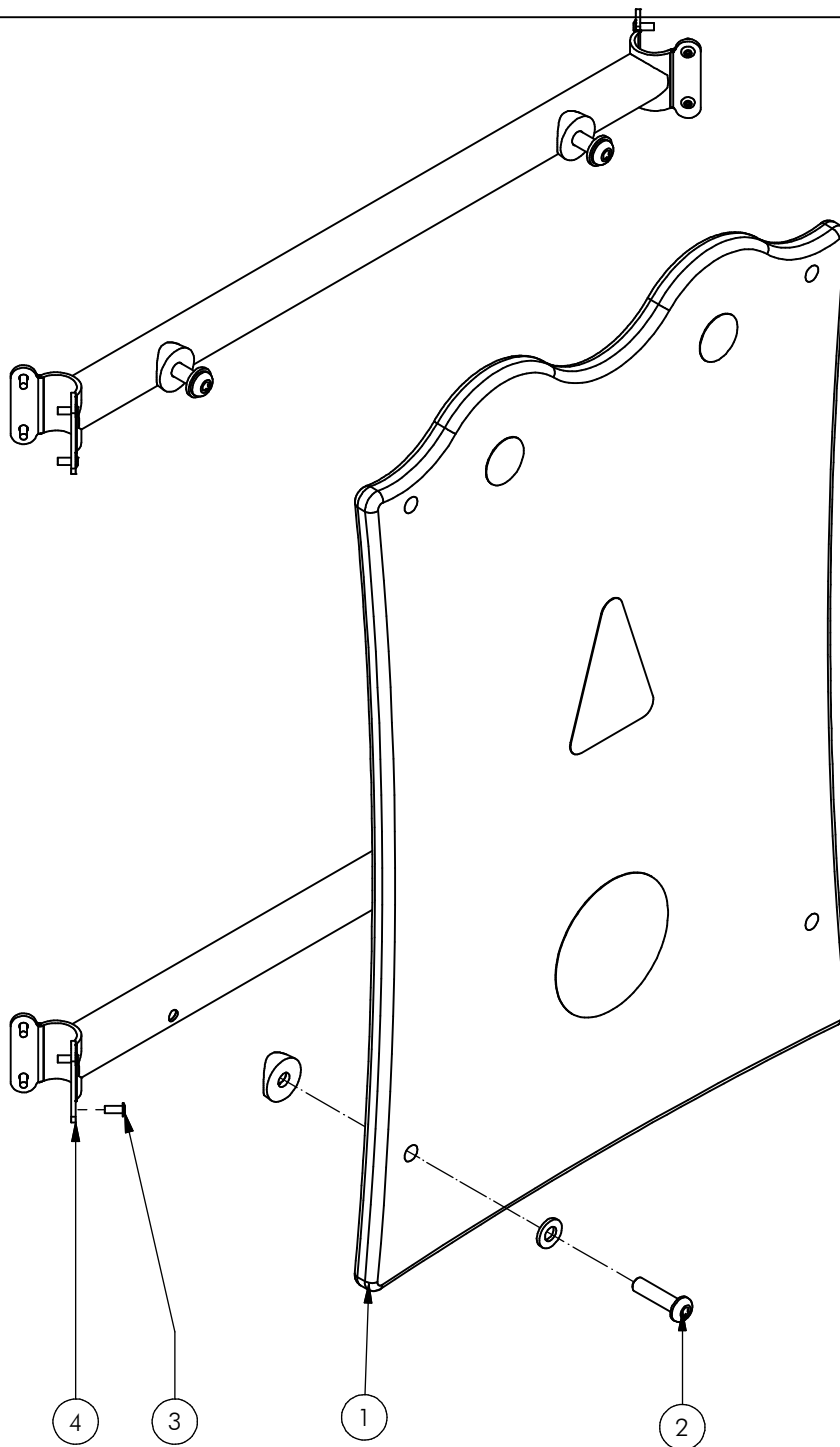
Opmerking
Comment UKKEPUK

Datum
Date 4-3-2009

Tekening
Drawing

MOD UKP RVS 108

Samenstelling module *Assembly module*



4	2	SME	UKP	501	320	A	SYSTEEMBUIS	UKKEPUK
3	4	SMD	UKP	RVS	105		BEVESTIGING VLINDER	UKKEPUK RVS
2	4	SMD	UKP	ALG	106	A	WAND BEVESTIGING	UKKEPUK
1	1	OPE	UKP	002	030	D	WAND OH	UKKEPUK
POS	N	TYPE	PROJ.	NR.	BEH.	R	BENAMING	OPMERKING



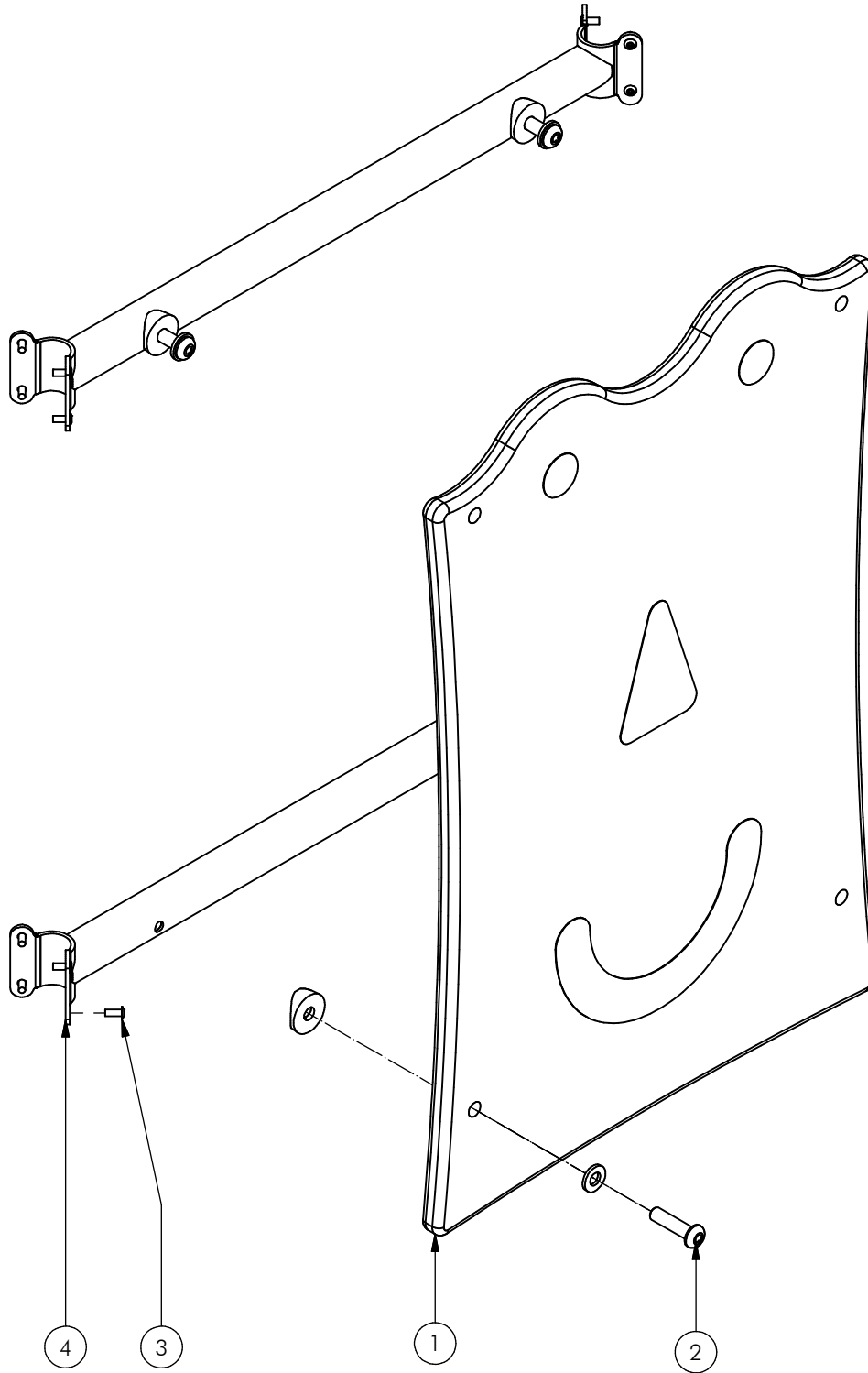
Benaming
Title WANDJE OH

Opmerking
Comment UKKEPUK

Datum
Date 9-12-2013

Tekening
Drawing

MOD UKP RVS 110 A
 Samenstelling module *Assembly module*



4	2	SME	UKP	501	320	A	SYSTEEMBUIS	UKKEPUK
3	4	SMD	UKP	RVS	105		BEVESTIGING VLINDER	UKKEPUK RVS
2	4	SMD	UKP	ALG	106	A	WAND BEVESTIGING	UKKEPUK
1	1	OPE	UKP	003	010	D	WAND LACH	UKKEPUK
POS	N	TYPE	PROJ.	NR.	BEH.	R	BENAMING	OPMERKING



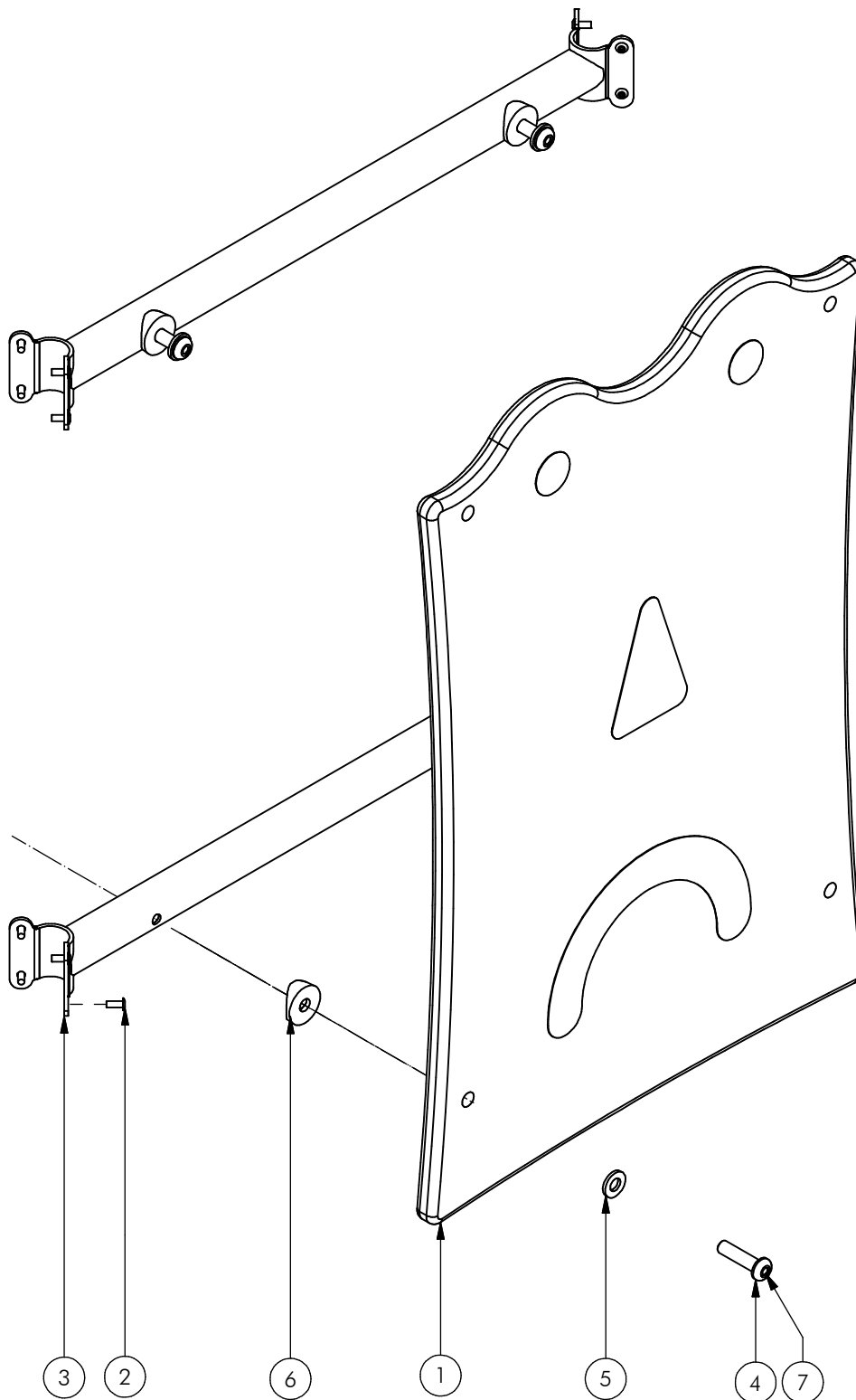
Benaming
Title WANDJE LACH

Opmerking
Comment UKKEPUK

Datum
Date 9-12-2013

Tekening
Drawing

MOD UKP RVS 111 A
 Samenstelling module *Assembly module*



7	4	KST	DOP	006	030	OPVULDOPJE	6 MM ROOD
6	4	KST	T33	010	000	ZADELRING	BUIS 33.7
5	4	KST	ROR	010	000	RING NYLON	M10 x 2.5 MM
4	4	BSR	O23	010	040	Bolkopbout ISO 7380	M10 x 40 - RVS A2-70
3	2	SME	UKP	501	320	A SYSTEEMBUIS	UKKEPUK
2	4	SMD	UKP	RVS	105	BEVESTIGING VLINDER	UKKEPUK RVS
1	1	OPE	UKP	005	050	D WAND HUIL	UKKEPUK
POS	N	TYPE	PROJ.	NR.	BEH.	R BENAMING	OPMERKING



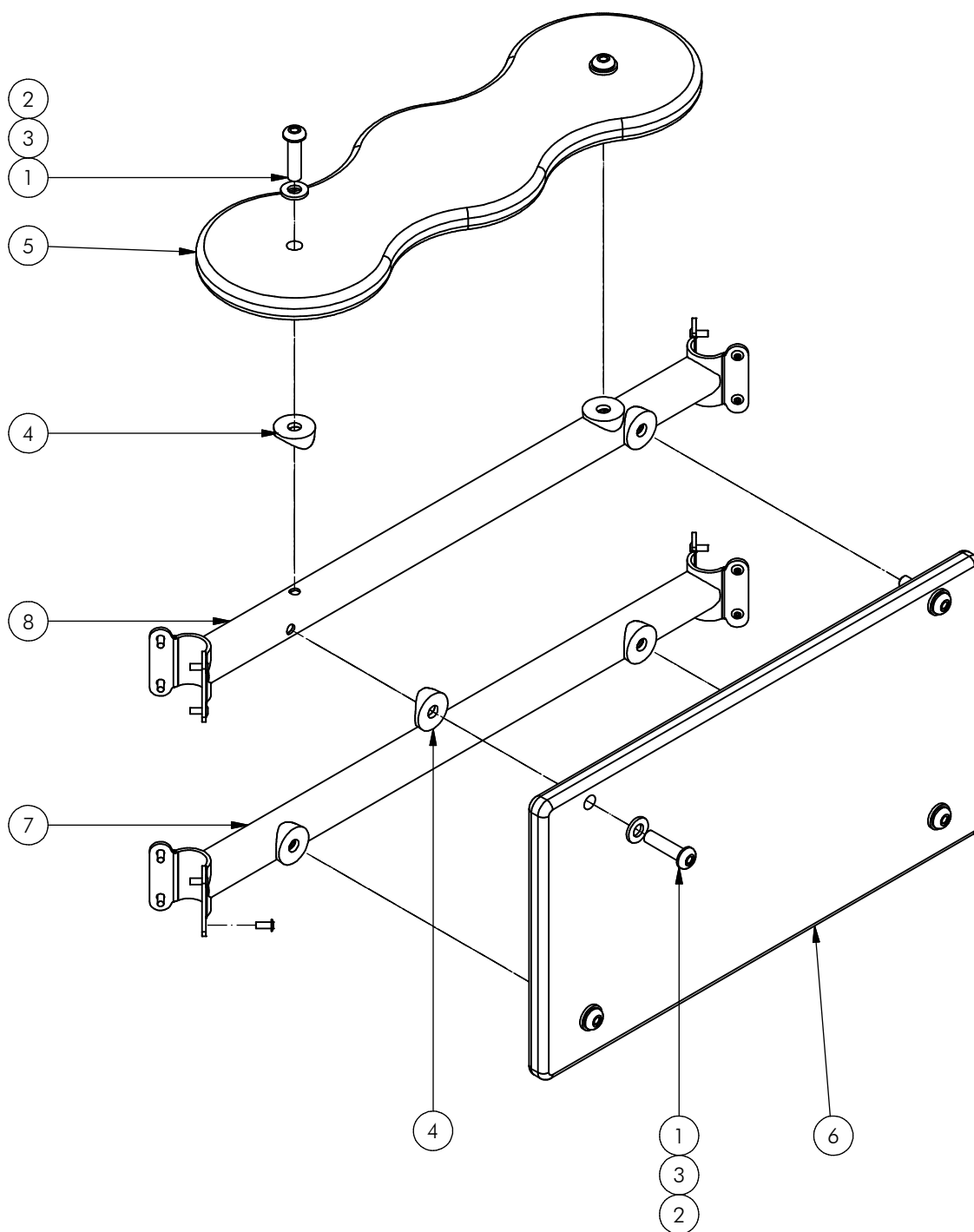
Benaming
Title WANDJE HUIL

Opmerking
Comment UKKEPUK

Datum
Date 9-12-2013

Tekening
Drawing

MOD UKP RVS 112 A
 Samenstelling module *Assembly module*



9	4	SMD	UKP	RVS	105		BEVESTIGING VLINDER	UKKEPUK RVS
8	1	SME	UKP	503	320	A	SYSTEEMBUIS	UKKEPUK
7	1	SME	UKP	501	320	A	SYSTEEMBUIS	UKKEPUK
6	1	OPE	UKP	011	030	B	Schot toonbank	Ukkepuk
5	1	OPE	UKP	010	050	B	Toonbank loket	Ukkepuk
4	6	KST	T33	010	000		ZADELRING	BUIS 33.7
3	6	KST	ROR	010	000		RING NYLON	M10 x 2.5 MM
2	6	KST	DOP	006	030		OPVULDOPJE	6 MM ROOD
1	6	BSR	023	010	040		Bolkopbout ISO 7380	M10 x 40 - RVS A2-70
POS	N	TYPE	PROJ.	NR.	BEH.	R	BENAMING	OPMERKING



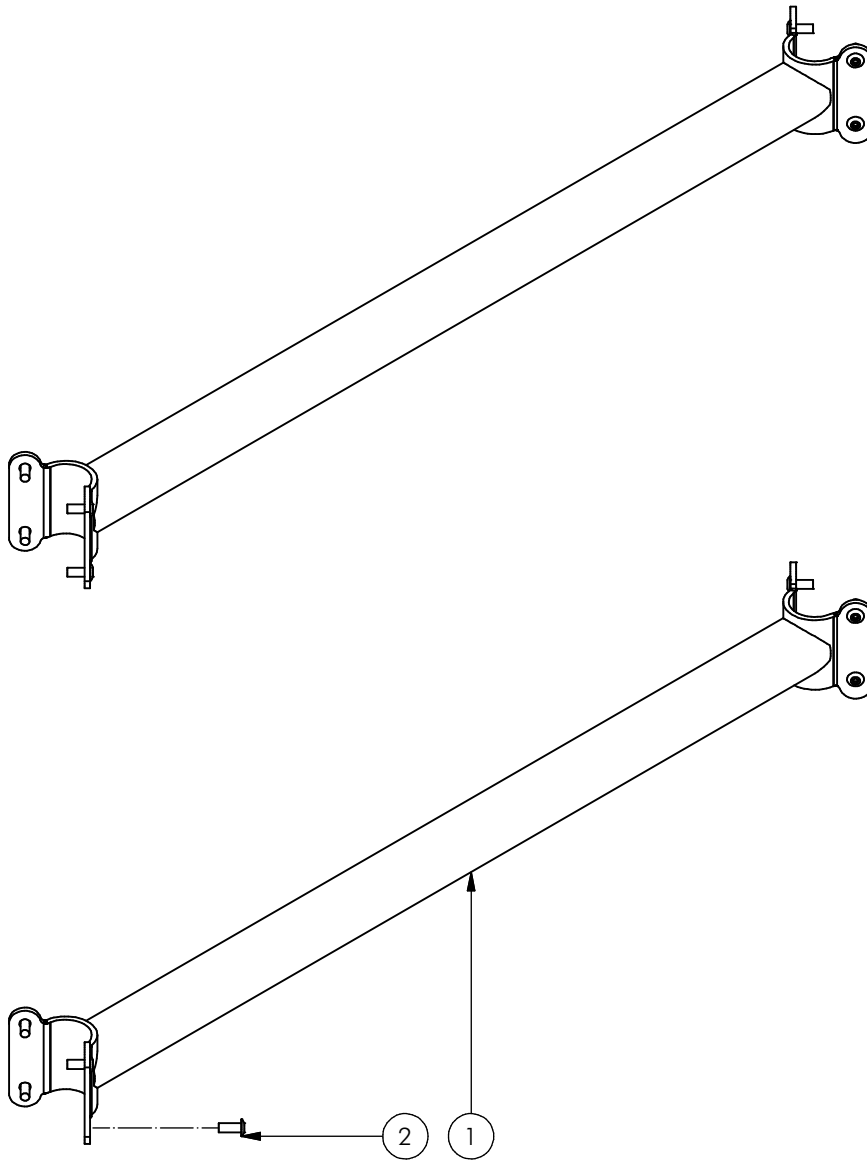
Benaming
Title Toonbank

Opmerking
Comment Ukkepuk

Datum
Date 6-12-2013

Tekening
Drawing

MOD UKP RVS 121 A
 Samenstelling module Assembly module



2	4	SMD	UKP	RVS	105		BEVESTIGING VLINDER	UKKEPUK RVS
1	2	SME	UKP	500	320	A	SYSTEEMBUIS	UKKEPUK
POS	N	TYPE	PROJ.	NR.	BEH.	R	BENAMING	OPMERKING



Benaming
Title SYSTEEMBUIS DUBBEL

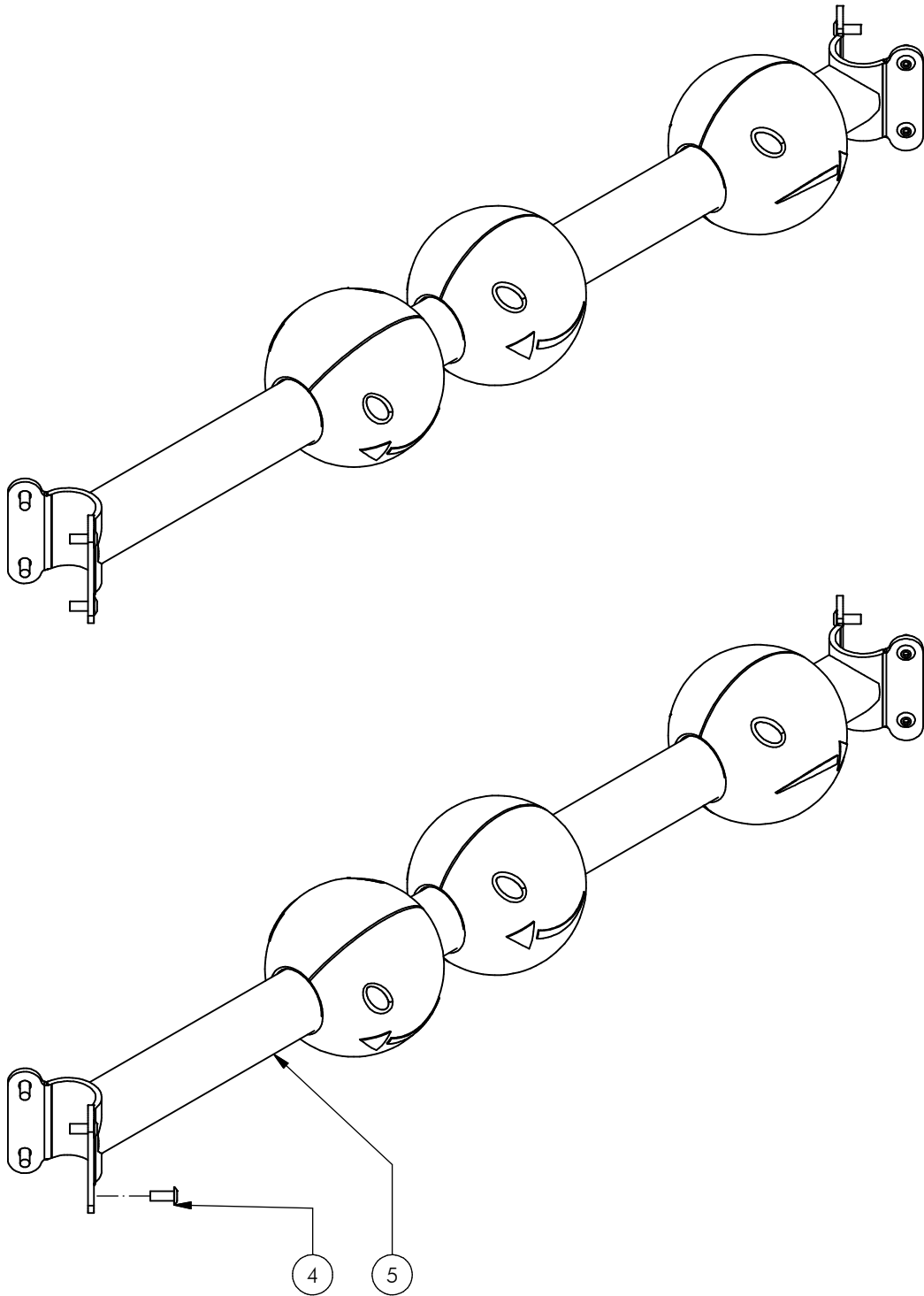
Opmerking
Comment UKKEPUK

Datum
Date 30-1-2007

Tekening
Drawing

MOD UKP RVS 131

Samenstelling module *Assembly module*



9	4	KST	BOL	036	030	Telbol helft	Rood
8	4	KST	BOL	036	050	Telbol helft	Blauw
7	4	KST	BOL	036	010	Telbol helft	Geel
6	24	BSR	005	004	019	Zelfborende PIAS schoef	3,5 x 19
5	2	SME	UKP	500	320	A SYSTEEMBUIS	UKKEPUK
4	4	SMD	UKP	RVS	105	BEVESTIGING VLINDER	UKKEPUK RVS
POS	N	TYPE	PROJ.	NR.	BEH.	R BENAMING	OPMERKING



Benaming
Title TELBOL DUBBEL

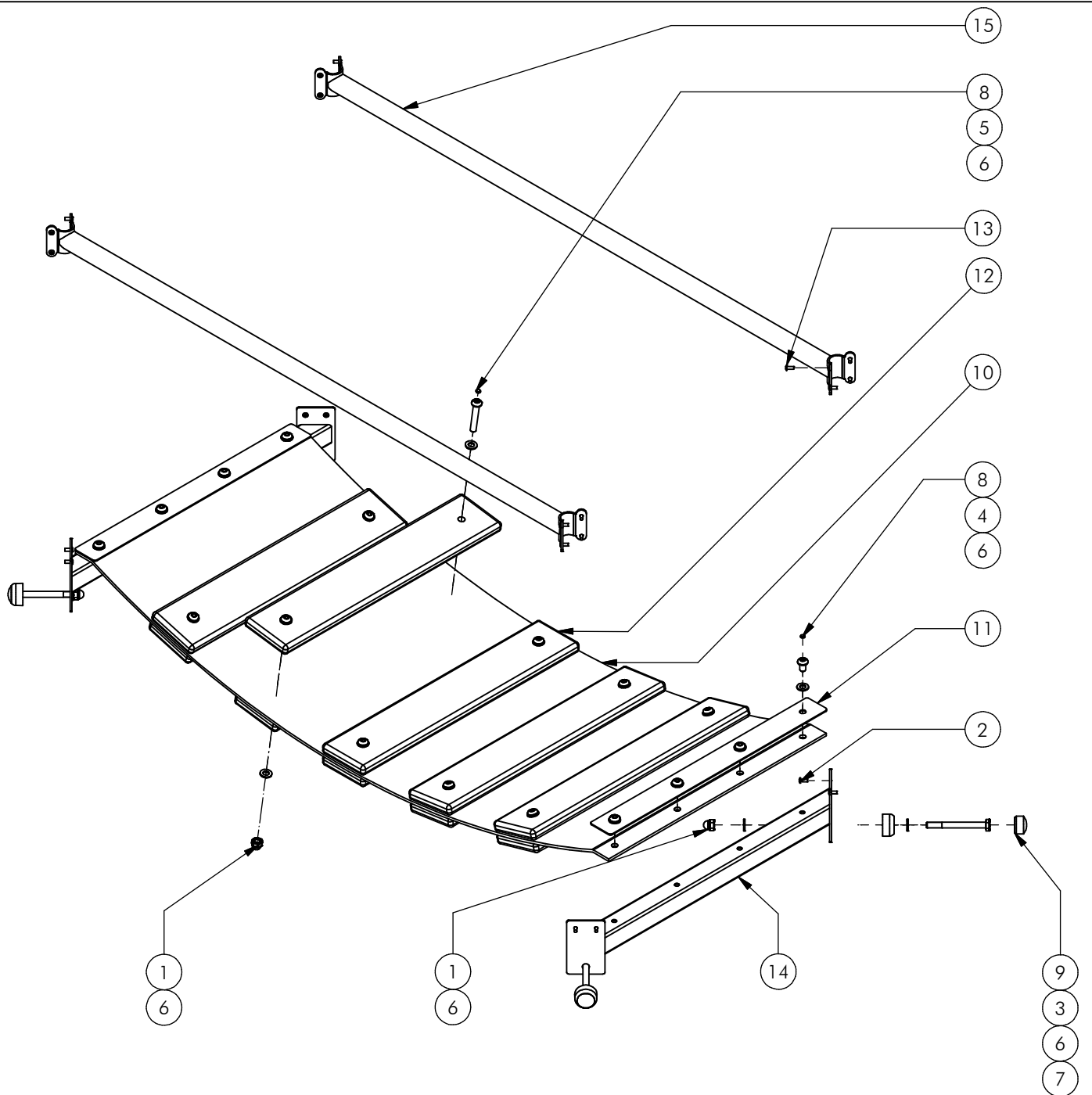
Opmerking
Comment UKKEPUK

Datum
Date 30-1-2007

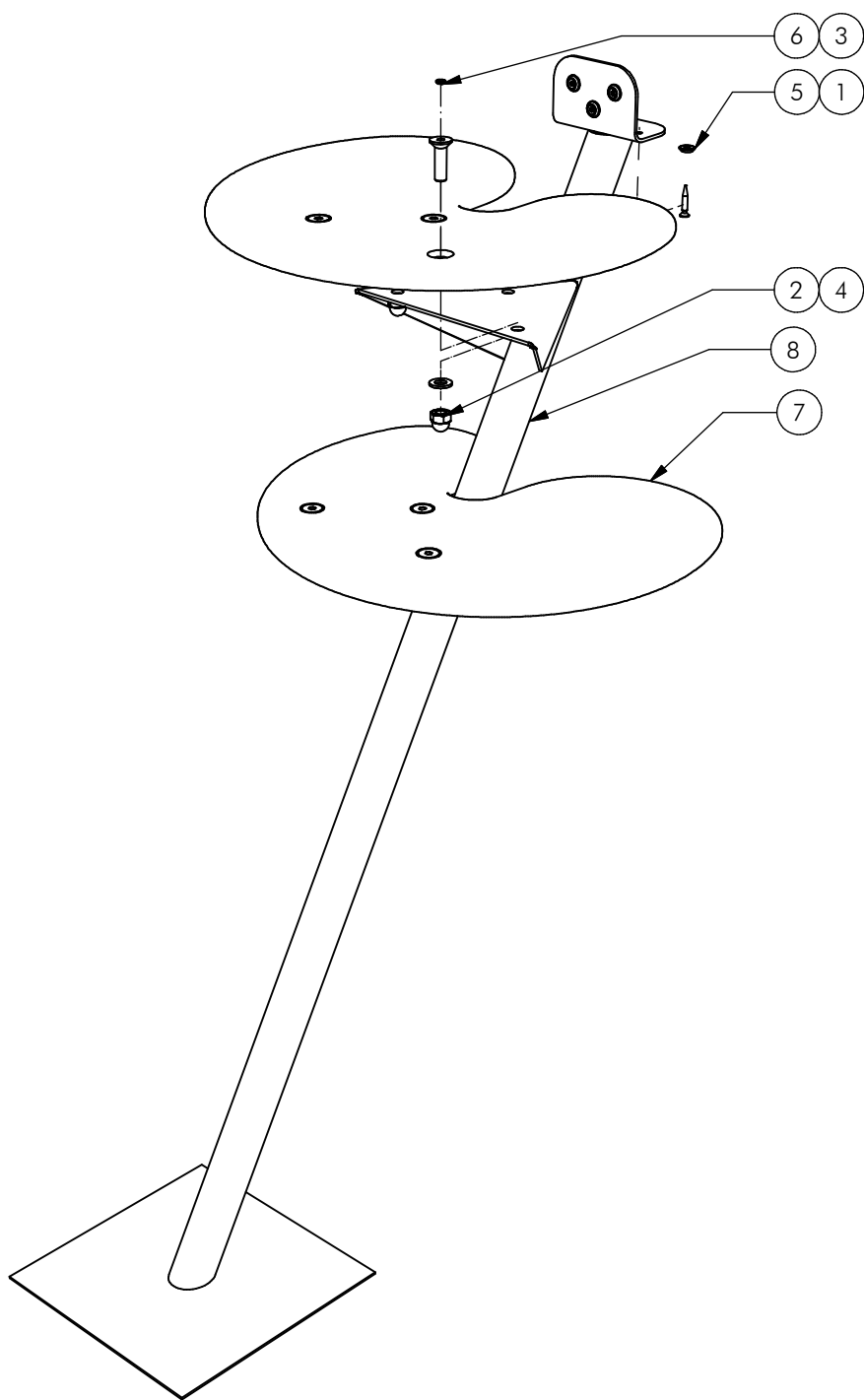
Tekening
Drawing

MOD UKP RVS 135

Samenstelling module *Assembly module*



Nr	#	Type	Progr.	Volgnr	Bew.	Rev.	Benaming	Opmerking
1	14	BSR	011	010	020		DOPMOER	BORG RVS M10
2	8	BSR	014	005	050		Klinknagel bolkop	4.8 X 12 - RVS A2-70
3	4	BSR	021	010	100		Zeskantbout	M10 x 100 - RVS A2-70
4	8	BSR	023	010	016		Bolkopbout ISO 7380	M10 x 16 - RVS A2-70
5	10	BSR	023	010	060		Bolkopbout ISO 7380	M10 x 60 - RVS A2-70
6	36	BSR	030	010	002		SLUITRING	M10
7	4	KST	DON	010	030		Beschermkop M10-M12	Donut Rood
8	18	KST	DOP	006	030		OPVULDOPJE	6 MM ROOD
9	4	KST	DOP	010	030		Beschermkop M10-M12	Dop rood
10	1	KST	UKP	003	000	B	Brugdek wiebelbrug	Ukkepek
11	2	OME	UKP	571	320		Montagestip brugdek	Wiebelbrug Ukkepek
12	10	OPE	UKP	107	050	A	Plank wiebelbrug	Ukkepek
13	4	SMD	UKP	RVS	105		BEVESTIGING VLINDER	UKKEPUK RVS
14	2	SME	UKP	552	320	A	Eindstuk wiebelbrug	Ukkepek
15	2	SME	UKP	575	320		SYSTEEMBUIJ LANG	UKKEPUK



Nr	#	Type	Progr.	Volgnr	Bew.	Rev.	Benaming	Opmerking
1	5	BSR	002	005	030		Schroef Assy	5 x 30 - RVS A2-70
2	6	BSR	011	010	020		DOPMOER	BORG RVS M10
3	6	BSR	024	010	035		Verzonken bout	M10 x 35 - RVS A2-70
4	6	BSR	030	010	002		SLUITRING	M10
5	5	BSR	036	005	015		Facet ring	M5 - RVS A2-70
6	6	KST	DOP	006	030		OPVULDOPJE	6 MM ROOD
7	2	OHO	UKP	128	COA	D	Platform	Boomtrap
8	1	SME	UKP	577	320	C	Trapboom	Ukkepuk

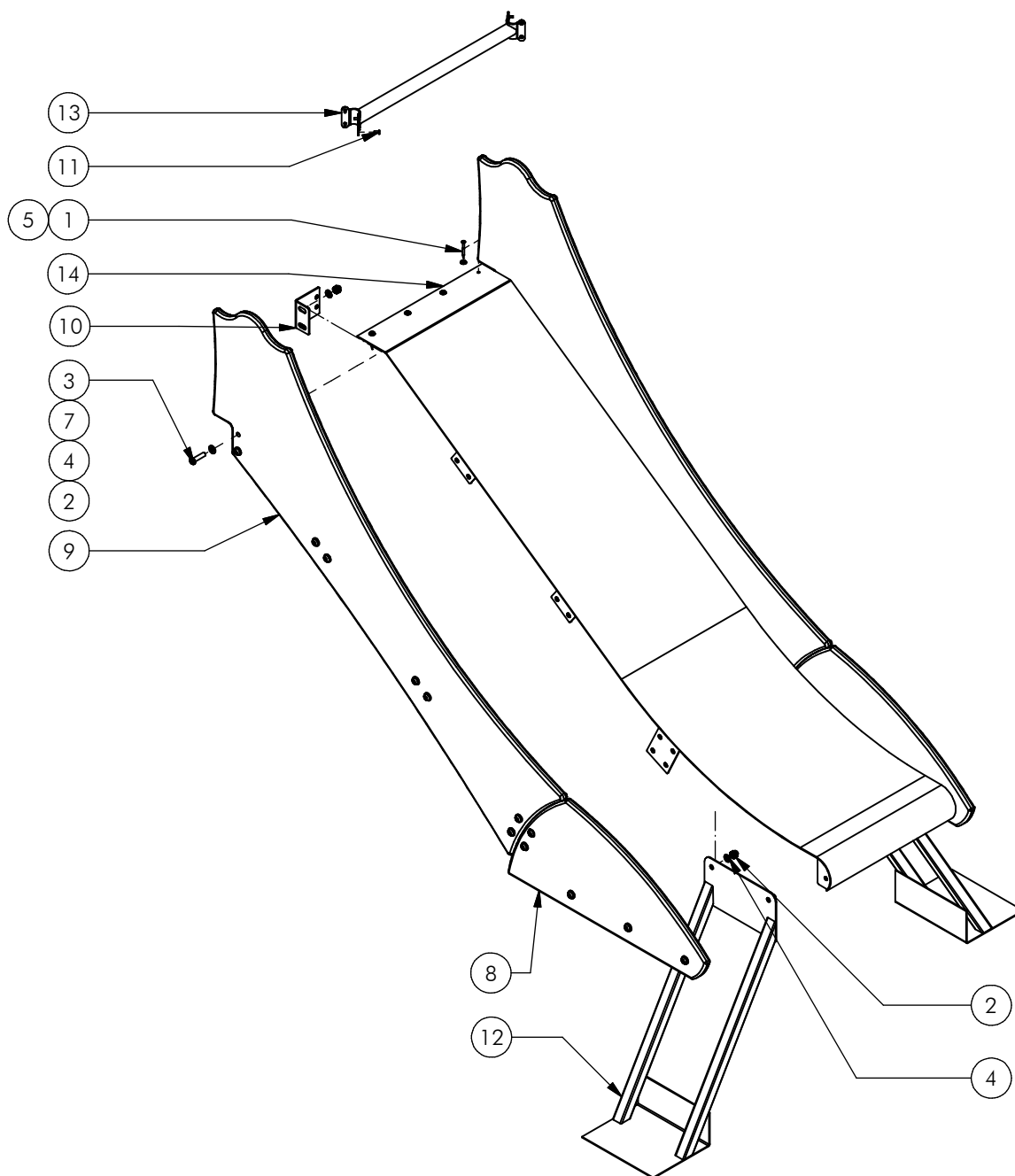


Benaming Title Boomtrap
 Opmerking Comment Ukkepuk
 Datum Date 2-10-2007

Tekening Drawing

MOD UKP RVS 168

Samenstelling module Assembly module



14	1	SME	UKP	586	320	B	Glijvlak hoge glijbaan	Ukkepek
13	1	SME	UKP	500	320	A	SYSTEEMBUIS	UKKEPUK
12	2	SME	DRM	051	372	A	ANKER ZOEUF	SCHUIJN
11	2	SMD	UKP	RVS	105		BEVESTIGING VLINDER	UKKEPUK RVS
10	2	OME	UKP	577	304		Bevestigingshoek	Glijbaan Ukkepek
9	2	OPE	UKP	043	050	A	Zijwand hoge glijbaan	Ukkepek
8	2	OPE	UKP	042	010	C	Neus hoge glijbaan	Ukkepek
7	26	KST	ROR	010	000		RING NYLON	M10 x 2.5 MM
6	26	KST	DOP	006	030		OPVULDOPJE	6 MM ROOD
5	4	BSR	036	005	015		Facet ring	M5 - RVS A2-70
4	26	BSR	030	010	002		SLUITRING	M10
3	26	BSR	023	010	040		Bolkopbout ISO 7380	M10 x 40 - RVS A2-70
2	26	BSR	011	010	020		DOPMOER	BORG RVS M10
1	4	BSR	002	005	050		SCHROEF	5 x 50
POS	N	TYPE	PROJ.	NR.	BEH.	R	BENAMING	OPMERKING