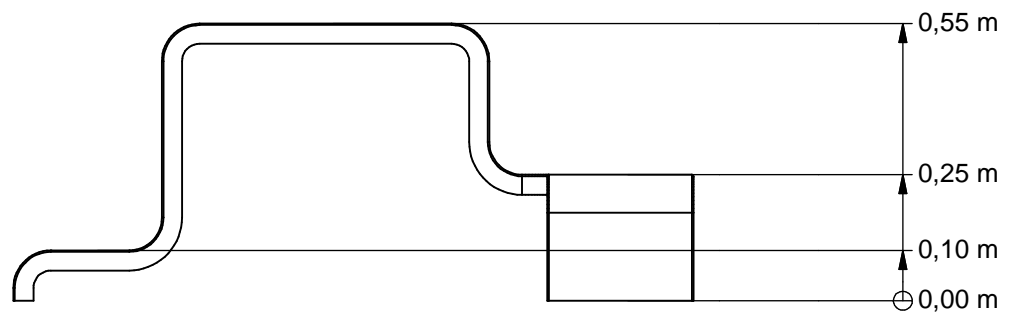
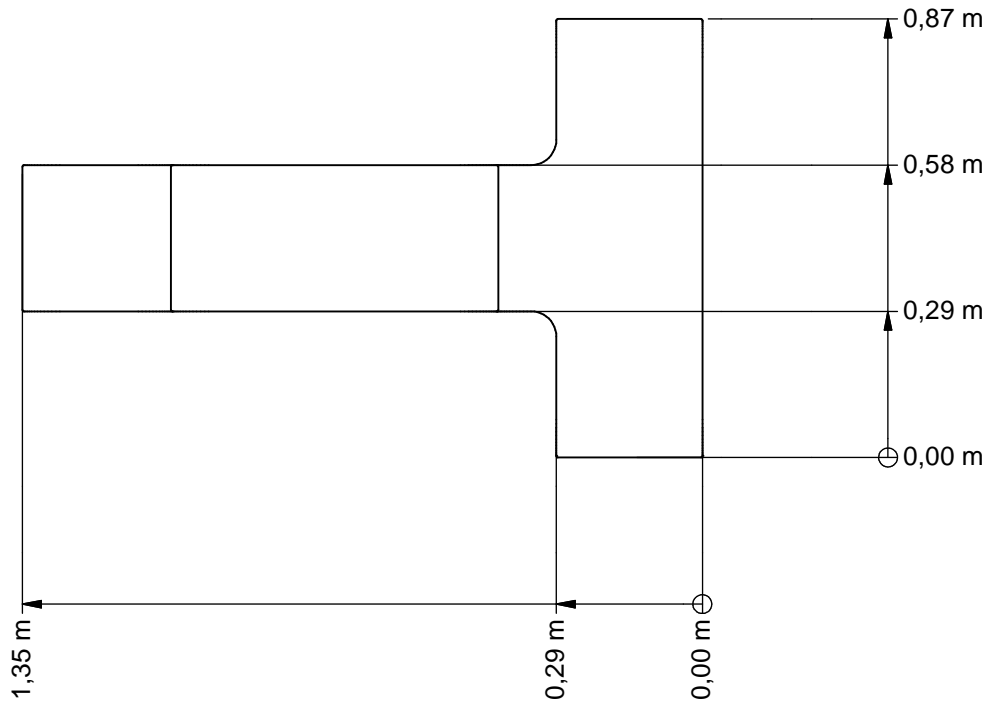




# Little-Play Totelli



LTPE381.757



Benaming  
Title Totelli

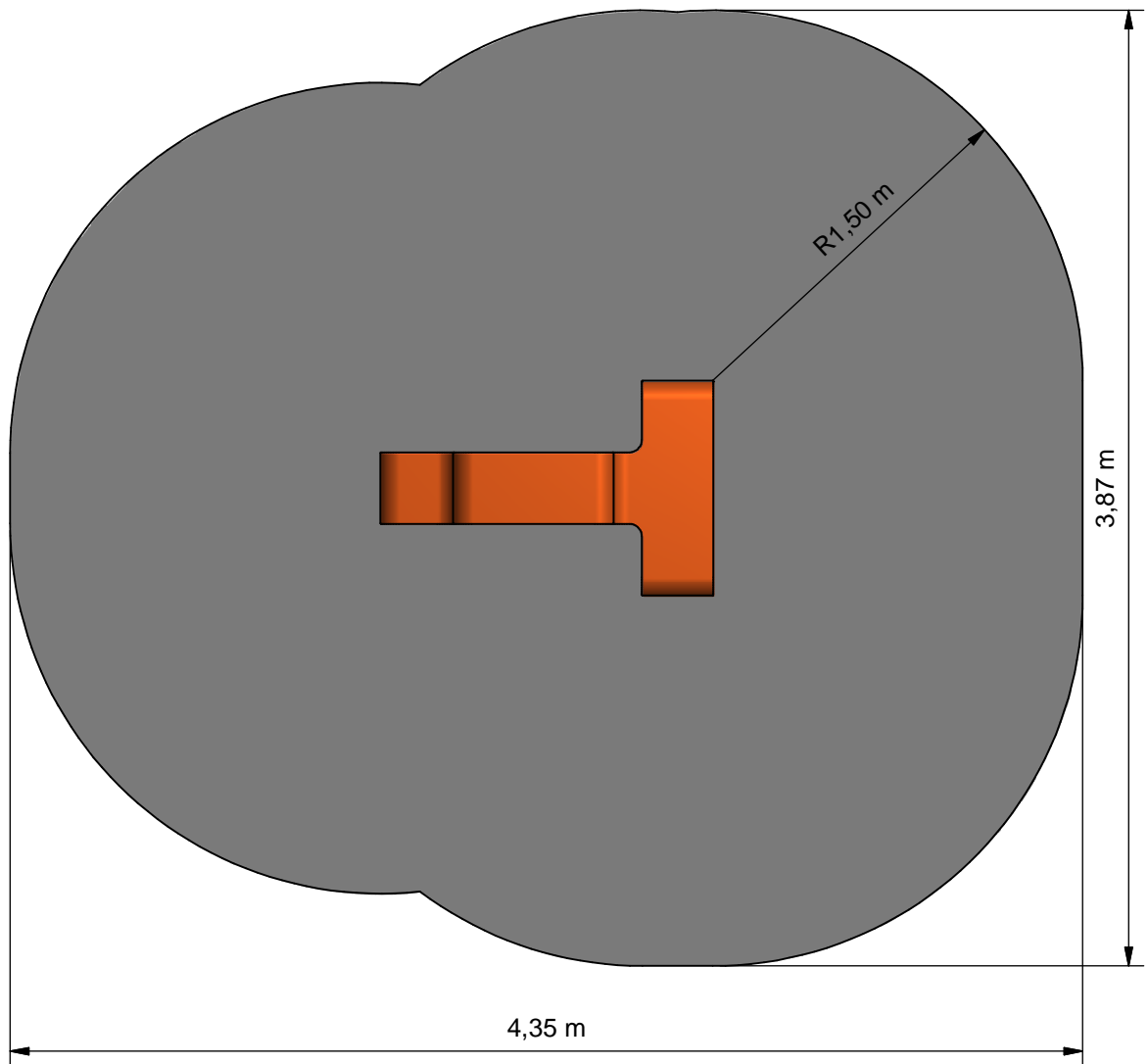
Opmerking  
Comment Little Play



Datum  
Date 21-3-2014

Tekening  
Drawing

TOE LTP 381 757

Afmetingen Dimensions



	<b>Opvangzone</b> Impact area
	<b>Obstakelvrije zone</b> Obstacle free zone

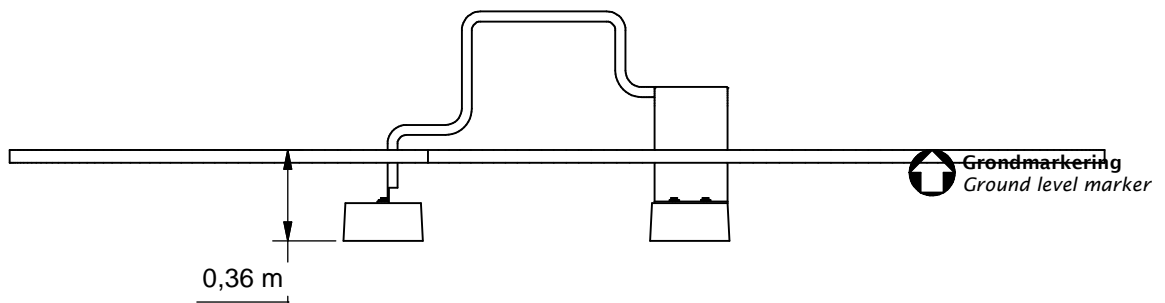
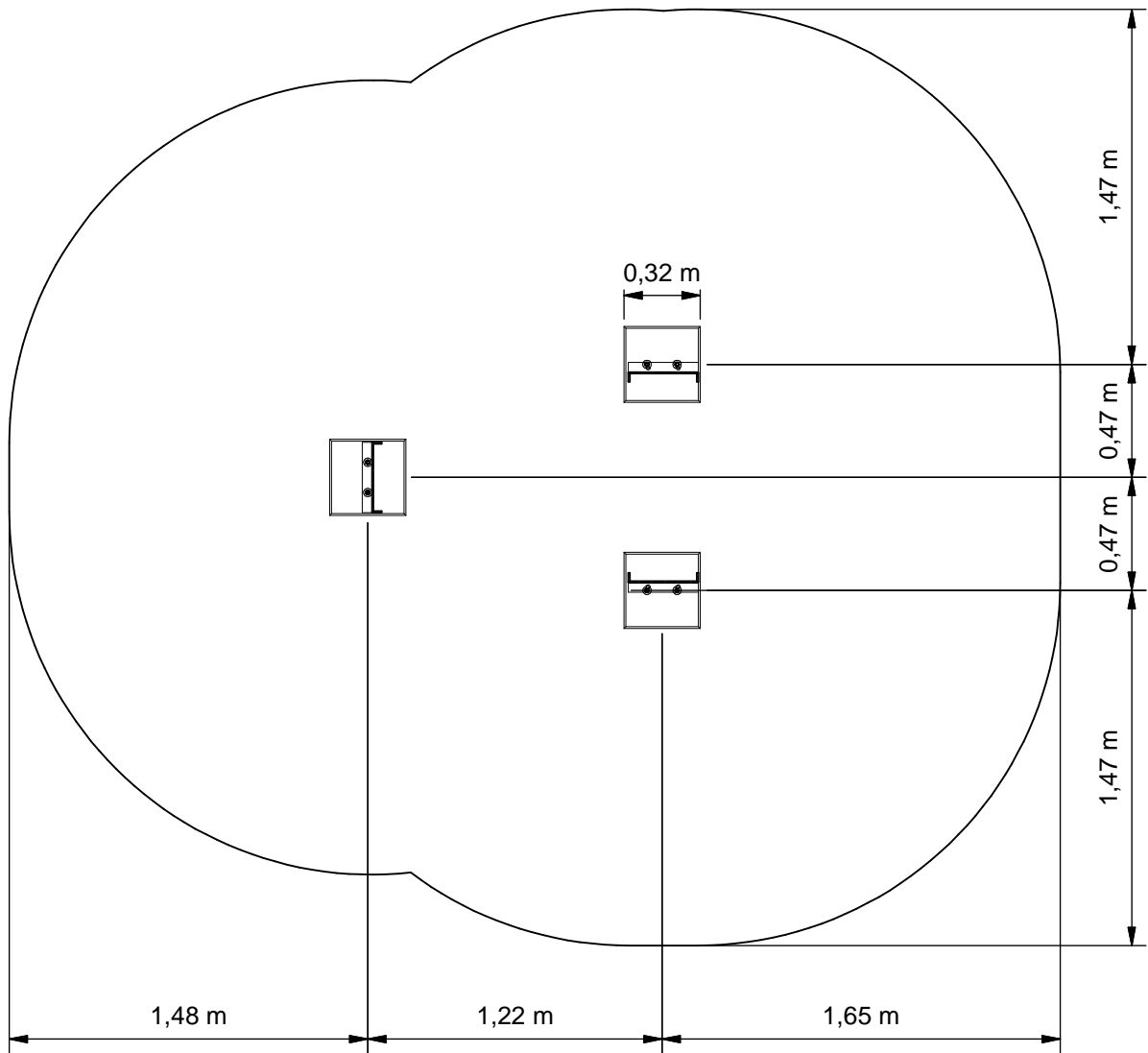


<b>Benaming</b> Title	Totelli
<b>Opmerking</b> Comment	Little Play
<b>Datum</b> Date	21-3-2014

Tekening  
Drawing

**TOE LTP 381 757**

**Obstakelvrije zone** *Obstacle free zone*



Benaming  
Title Totelli

Opmerking  
Comment Little Play

Datum  
Date 21-3-2014

Tekening  
Drawing

TOE LTP 381 757

Bodemplan Groundplan

**Geleverde modules:**

Zie tabel

**Supplied modules:**

See table

**Montageinstructie:**

- De hoofdmaten geven de maten van de staanders en vloeren aan
- De detailtekeningen geven specifiek de maten van de verbindingen aan
- De modules met buizen zijn op de tekeningen bemaat op bovenkant kopplaat
- Overige modules zijn bemaat op de bovenkant (klimwanden, paalkappen, etc.)

**Assembly instruction:**

- The main dimensions indicate the dimensions of the posts and floors
- The detailed dimensions show the specific dimensions of the connections
- The modules which contain tubes are dimensioned at the top of the flanges
- Other modules are dimensioned at the top (climbing walls, caps for the posts, etc.)

**Montagevolgorde:**

- 1 - Graaf de gaten volgens het bodemplan
- 2 - Plaats 2(3x)
- 3 - Plaats 1, verbind deze aan 2
- 4 - Controleer of het toestel voldoet aan de afmetingen zoals op blad 'afmetingen'
- 5 - Dicht de gaten en verdicht het zand

**Assembly sequence:**

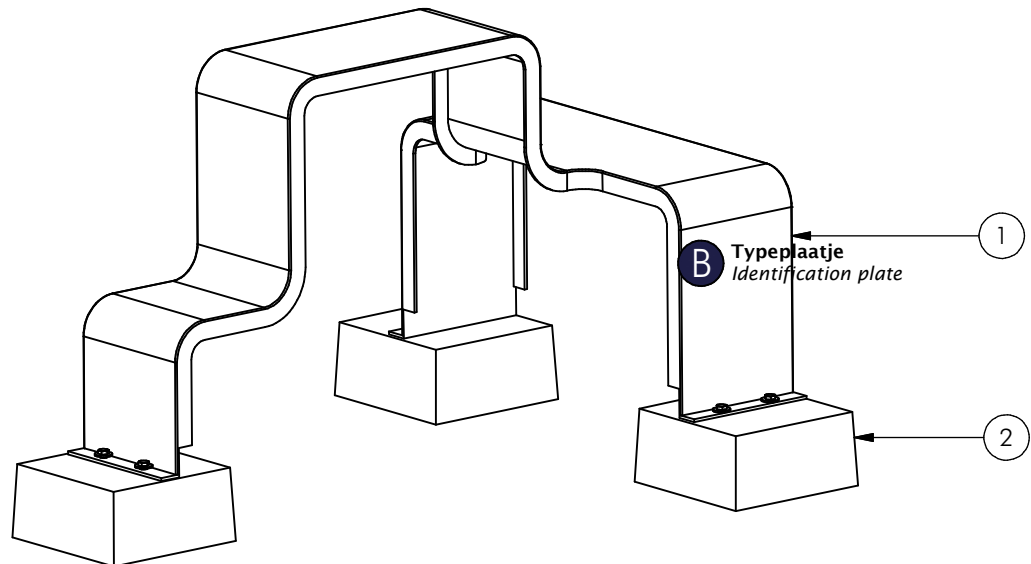
- 1 - Dig the holes according to the ground plan
- 2 - Place 2(3x)
- 3 - Place 1, attach it to 2
- 4 - Check that the equipment conforms to the dimensions shown on sheet 'dimensions'
- 5 - Close the holes and compact the sand

**Controles:**

- 1 - Correcte opbouw en alle bevestigingsmiddelen
- 2 - Controleer de afmetingen van de valbodem t.o.v. het toestel

**Checks:**

- 1 - Correct assembly and all the fasteners
- 2 - Check the dimensions of the safety area with regard to the play equipment



Nr	#	Type	Progr.	Volgnr	Bew.	Rev.	Benaming	Opmerking
1	1	MOD	LTP	757			Totelli	Little Play
2	3	MOD	OBT	009	001		Poer Model 9	Gewicht 33,5 kg



Benaming  
Title Totelli

Opmerking  
Comment Little Play

Datum  
Date 21-3-2014

Tekening  
Drawing

# TOE LTP 381 757

## Modules Modules

# LTPE381.757

Little-Play Totelli

## LOGBOOK

(Onderstaand logboek kan gebruikt worden om te voldoen aan de eisen, gesteld in artikel 14 van het Warenwetbesluit Attractie- en Speeltoestellen)

Type indication	Play triggers
Product code	LTPE381.757
Name of equipment	Little-Play Totelli
Maximum height of fall	< 0,6 m
Year of construction	2017
Certificate	633241
inspection authority	Aib Vincotte Nederland Takkebijsters 8, Breda - 4817 BL Breda
Name manufacturer	BOERplay Hyacintstraat 2 - 4255 HX Nieuwendijk Phone: +31 (0)183 40 23 66 Fax: +31 (0)183 40 35 64
name installer	_____ _____
Description of equipment	Little-Play Totelli
Location of equipment	_____
Data about the owner of the play equipment	
Name:	_____
Address:	_____
Postcode and town:	_____
Contact person:	_____
Telephone number:	_____
Data about the administrator of the play equipment	
Name:	_____
Address:	_____
Postcode and town:	_____
Contact person:	_____
Telephone number:	_____

# LOGBOOK

## Inspection and maintenance intervals



Nr.	Inspection	Maintenance	months between inspections
1	Verify equipment's stability, junctions and missing parts. Inspect bolts, screws and nuts for absence, jams, corrosion and wear.	Add missing parts, secure joints, apply missing fixing agent and replace corroded parts.	1
2	Check suspension for wear.	Replace worn parts and/or remove non-functioning parts.	1
3	Inspect rotating parts such as hinges, rolling-element bearings, etc. for wear and acceptability.	Replace worn parts and/or remove non-functioning parts.	1
4	Check wood for splinters, unacceptable damage and signs of rot. Especially at ground level.	Repair damage. Replace affected wood. Smoothen splintered wood and sharp edges.	1
5	Inspect foundation for stability, tearing and coverage.	Restore foundation and covering material.	3
6	Examine rubber and synthetic parts for wear, damage and break.	Replace original parts.	3
7	Inspect metal for corrosion and damage in the coating.	Restore any damaged coating (after removing rust and applying primer).	6
8	Check ropes, cables, chains and nets for wear and damage. Steel cables and nets which are tensioned must be checked for tension.	Replace parts where necessary. Steel cables and nets must be tensioned.	3
9	Inspect equipment for unsafe changes and additions.	Remove unsafe additions and correct unsafe changes.	1
10	Inspect safety surfaces.	Restore and repair where necessary.	1

## Remarks

1. If used intensively, all points require extra attention.
2. Extreme weather conditions and locations may require a higher inspection frequency. Discuss this with the supplier.
3. Vandalism-sensitive locations require stricter inspections, possibly daily.
4. Check the terrain regularly for items that do not belong there, are unsafe or may be used wrongly. Examples are poisonous plants, glass shards, etc. Frequency depends on strain.
5. Remember that bad maintenance leads to unsafe conditions and notably faster impoverishment of the playground area.
6. Replacement parts can be ordered at the manufacturer with the part numbers on the module drawing. Drawings can be found in de user guide.
7. The impact area shall be provided with impact attenuating surface according to the specified falling height.
8. This list is conform the CEN-standard "playground equipment and surfacing NEN-EN 1176-7".

# CERTIFICAAT VAN GOEDKEURING

Afgegeven door AIB-Vinçotte Nederland B.V., aangewezen bij ministeriële beschikking van het Ministerie van Volksgezondheid, Welzijn en Sport, van 29 maart 2001 onder kenmerk GZB/C&O/2162178.

Het certificaat betreft de keuring van een typekenmerkend speeltoestel.

*Certificaat nr.* : 633241

*Afgifte datum cert.* : 14 november 2008

*Dossier- rapport nr.* : 633241

*Datum keuring* : 14 november 2008

*Betreft* : Little Play

Type Nr. : 38.1.757.XXXXX

*Soort toestel* : Decoratief speeltoestel

NEN-EN 1176-1 (1998)

*Eigenaar - houder* :

*Fabrikant* : Boer Speeltoestellen B.V.

Postbus 10 4255 ZG NIEUWENDIJK (NL)

*Jaar van fabricage* :

*Leverancier* : Boer Speeltoestellen B.V.

Postbus 10 4255 ZG NIEUWENDIJK (NL)

*Jaar van leverantie* :

***Dit certificaat is onbeperkt geldig***

AIB-Vinçotte Nederland B.V. gevestigd aan de Heusing 2 te Breda, verklaart dat het bovenbeschreven toestel voldoet aan de vervaardigingsvoorschriften genoemd in het "Warenwetbesluit Attractie- en Speeltoestellen"

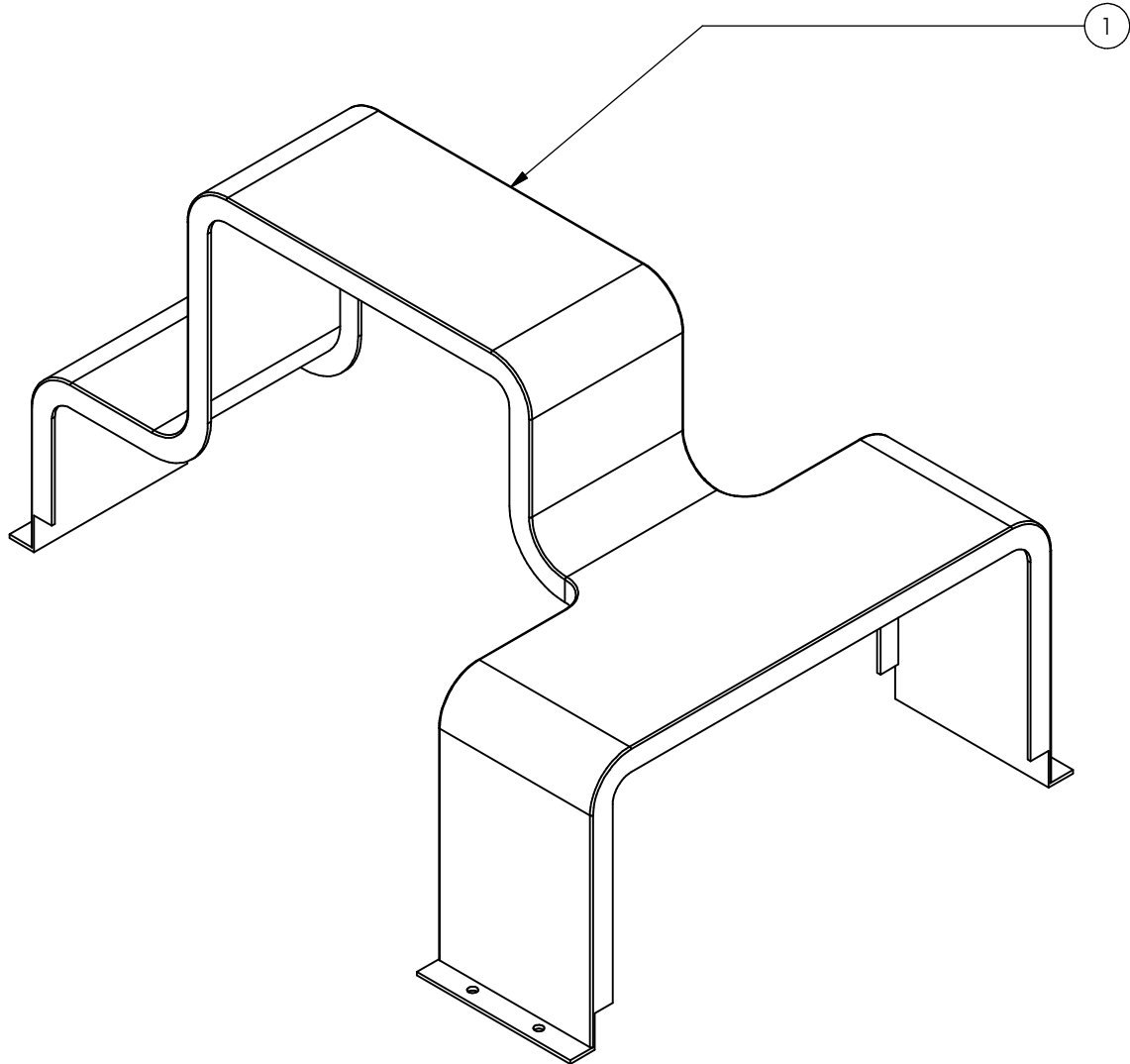
# VINCOTTE

AIB-Vinçotte Nederland B.V.  
Namens het bestuur,

  
R. van Hirtum  
Afdelingsmanager

  
M. Verheijen  
Inspecteur





Nr	#	Type	Progr.	Volgnr	Bew.	Rev.	Benaming	Opmerking
1	1	POL	LTP	005			Totelli	Little Play



Benaming  
Title Totelli

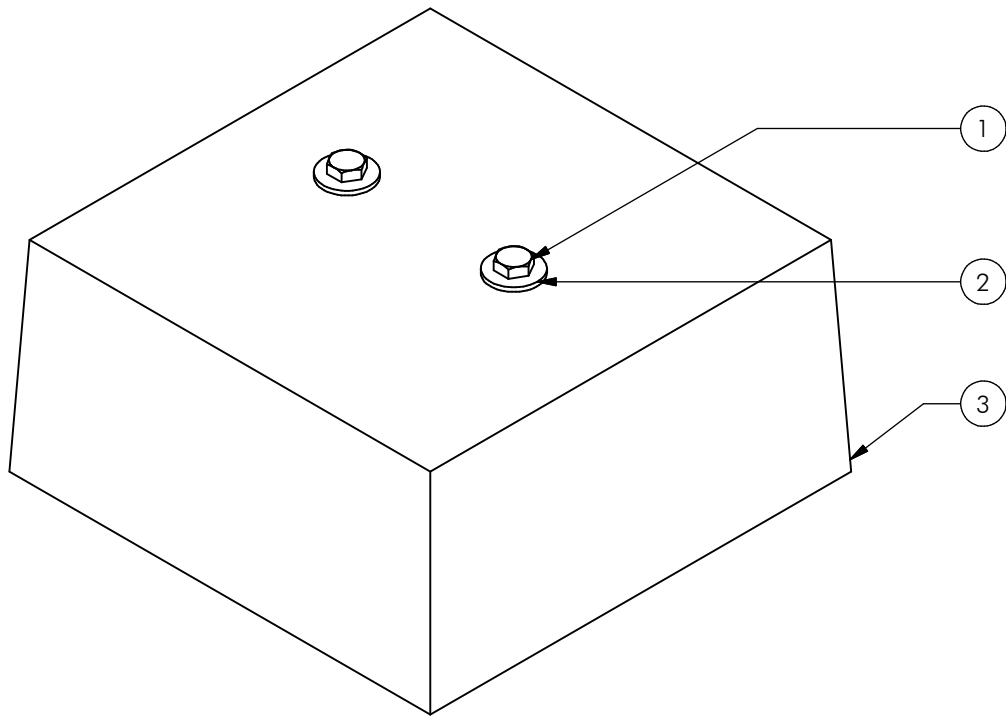
Opmerking  
Comment Little Play

Datum  
Date 14-11-2016

Tekening  
Drawing

# MOD LTP 757

Samenstelling module *Assembly module*



Nr	#	Type	Progr.	Volgnr	Bew.	Rev.	Benaming	Opmerking
1	2	BSV	021	012	040		Zeskantbout ISO 4014	M12 x 40 - VZ 8.8
2	2	BSV	035	012	035		Carrosseriering	M12 x 35 - VZ 8.8
3	1	OBT	POE	009	033		POER	MODEL 9



Benaming  
Title Poer Model 9

Opmerking  
Comment Gewicht 33,5 kg

Datum  
Date 17-8-2012

Tekening  
Drawing

**MOD OBT 009 001**

**Samenstelling module Assembly module**