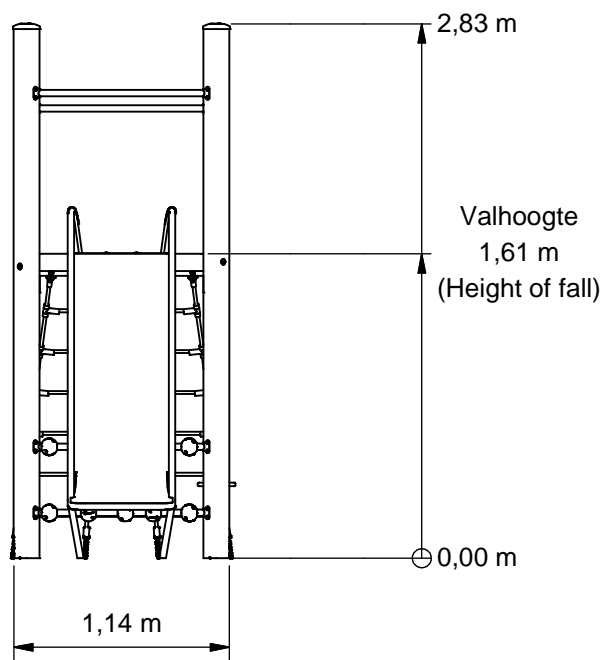
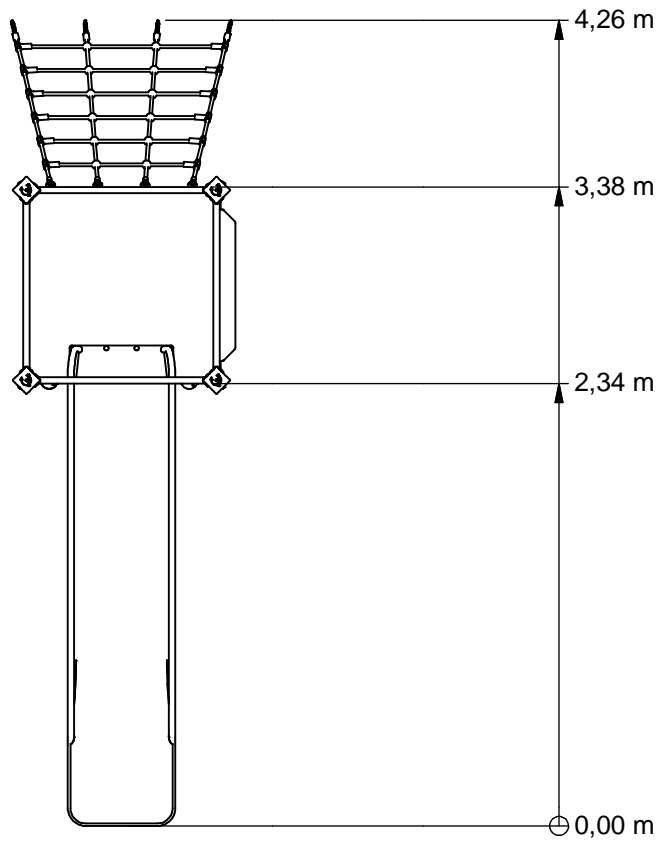




Combination equipment



VRBE080.759



Benaming
Title | VRIJBUI TER

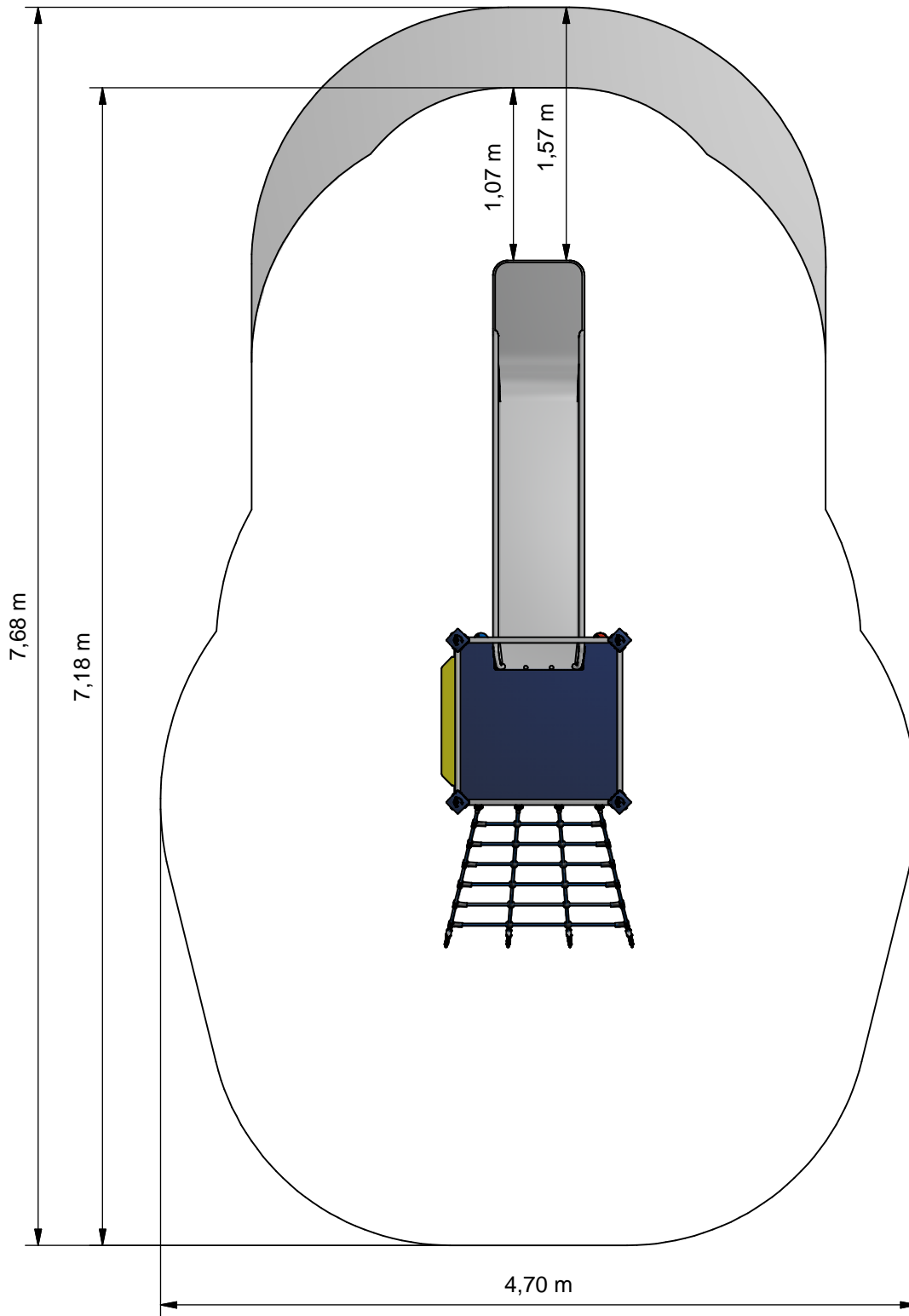
Opmerking
Comment | HARDHOUT

Datum
Date | 3-3-2009

Tekening
Drawing

TOE VRB 080 759 A

Afmetingen Dimensions



- Opvangzone
Impact area
- Obstakelvrije zone
Obstacle free zone



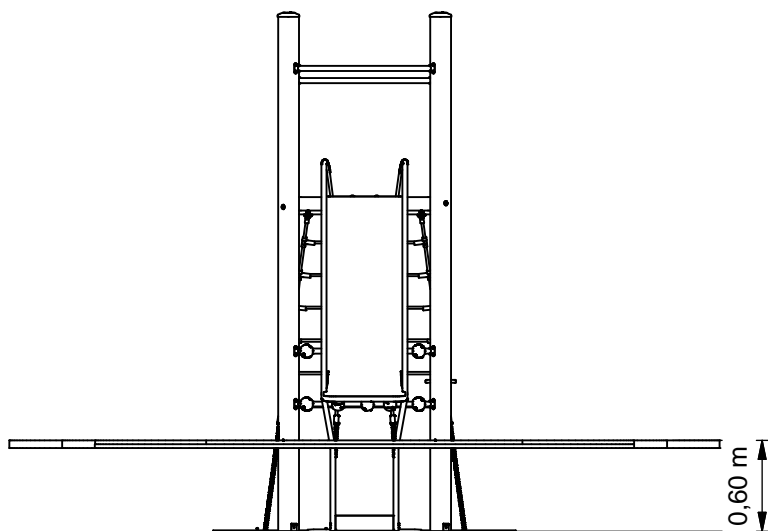
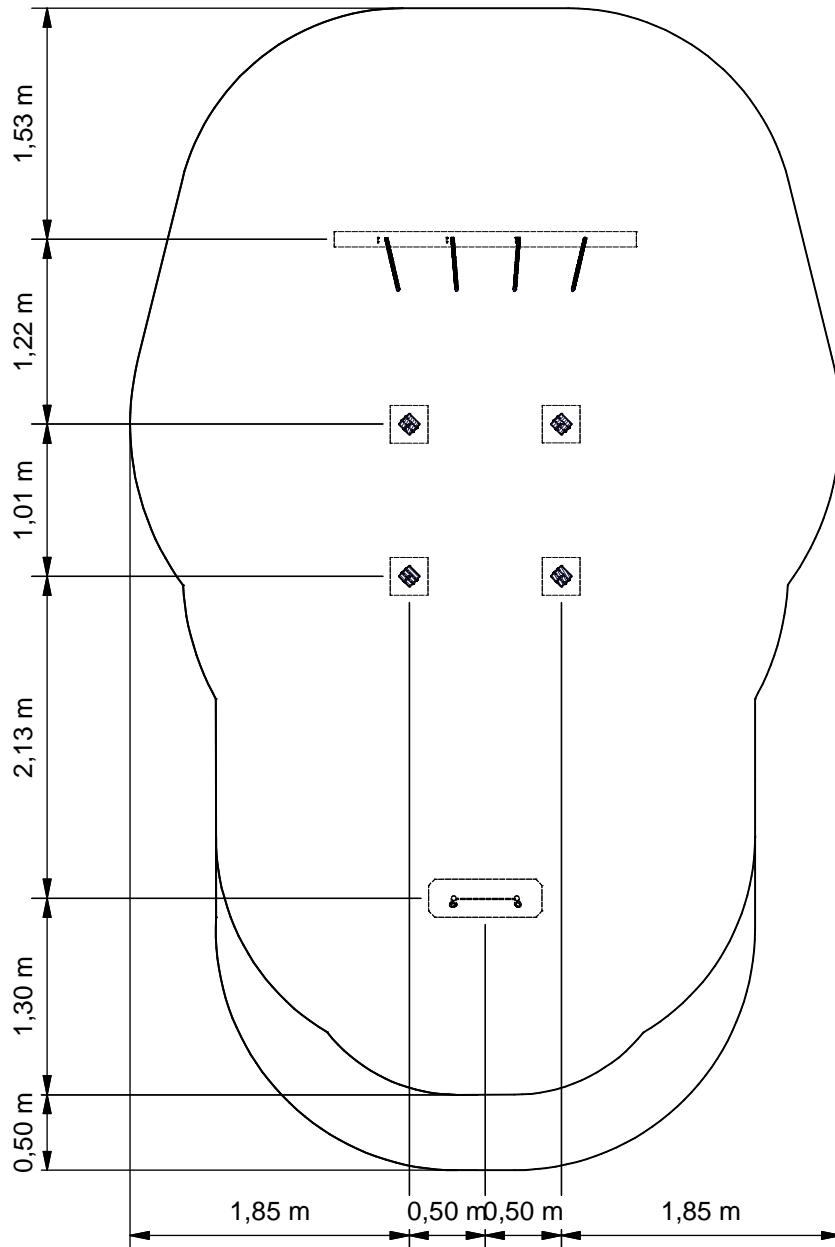
Benaming
Title: VRIJBUIITER

Opmerking
Comment: HARDHOUT

Datum
Date: 3-3-2009

Tekening
Drawing

TOE VRB 080 759 A
Obstakelvrije zone *Obstacle free zone*



Benaming
Title VRIJBUITER

Opmerking
Comment HARDHOUT

Datum
Date 3-3-2009

Tekening
Drawing

TOE VRB 080 759 A

Bodemplan *Groundplan*

Geleverde modules:

Zie tabel

Supplied modules:

See table

Montageinstructie:

- De hoofdmaten geven de maten van de staanders en vloeren aan
- De detailtekeningen geven specifiek de maten van de verbindingen aan
- De modules met buizen zijn op de tekeningen bemaat op bovenkant kopplaat
- Overige modules zijn bemaat op de bovenkant (klimwanden, paalkoppen, etc.)

Assembly instruction:

- The main dimensions indicate the dimensions of the posts and floors
- The detailed dimensions show the specific dimensions of the connections
- The modules which contain tubes are dimensioned at the top of the flanges
- Other modules are dimensioned at the top (climbing walls, caps for the posts, etc.)

Montagevolgorde:

- 1 - Graaf de gaten volgens het bodemplan
- 2 - Assembleer toren met 1,2(2x),3(4x),4,5,6(3x)
- 3 - Plaats toren
- 4 - Plaats 7,8 en verbind deze aan toren
- 5 - Controleer of het toestel voldoet aan de afmetingen zoals op blad 'afmetingen'
- 6 - Dicht de gaten en verdicht het zand

Installation sequence:

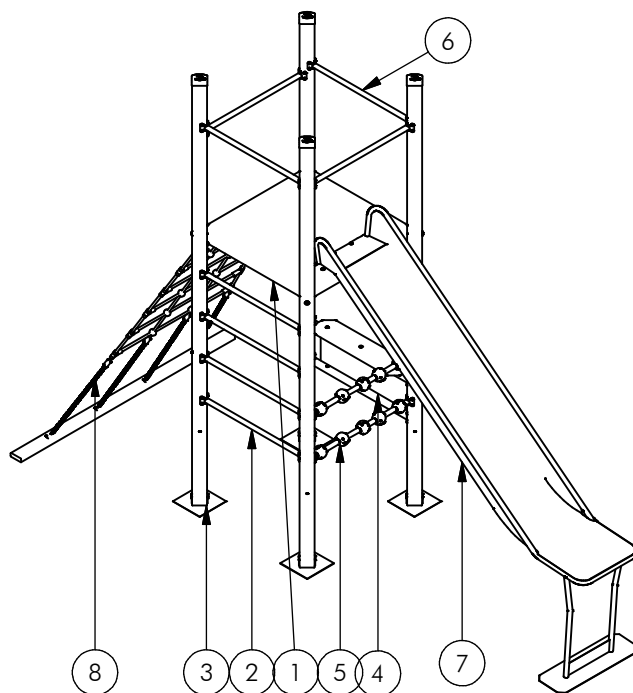
- 1 - Dig the holes according to the ground plan
- 2 - Assemble tower 1,2(2x),3(4x),4,5,6(3x)
- 3 - Place tower
- 4 - Place 7,8 and attach it to tower
- 5 - Check that the unit conforms to the dimensions on sheet 'dimensions'
- 6 - Close the holes and compacted the sand

Controles:

- 1 - Correcte opbouw en alle bevestigingsmiddelen
- 2 - Controleer de afmetingen van de valbodem t.o.v. het toestel

Checks:

- 1 - Correct assembly and all the fasteners
- 2 - Check the dimensions of the safety area with regard to the play equipment



Nr	#	Type	Progr.	Volgnr	Bew.	Rev.	Benaming	Opmerking
1	1	MOD	VRB	HHT	008		VIERKANTVLOER	VRIJBUITER
2	2	MOD	VRB	HHT	012		WANDJE	BUIS DUBBEL
3	4	MOD	VRB	HHT	055		STAANDER	281 CM
4	1	MOD	VRB	HHT	062	A	LOKET	MET ONDERPLAAT
5	1	MOD	VRB	HHT	063		TELBOLBUIS	DUBBEL
6	3	MOD	VRB	HHT	075		SYSTEEMBUIS	ENKEL
7	1	MOD	VRB	HHT	192		Glijbaan 161 cm	Module HHT
8	1	MOD	VRB	HHT	655		OPLOOPNET	VLOER 161 CM



Benaming
Title: VRIJBUITER

Opmerking
Comment: HARDHOUT

Datum
Date: 3-3-2009

Tekening
Drawing

TOE VRB 080 759 A

Modules Modules

VRBE080.759

Combination equipment

LOGBOOK

(Onderstaand logboek kan gebruikt worden om te voldoen aan de eisen, gesteld in artikel 14 van het Warenwetbesluit Attractie- en Speeltoestellen)

Type indication	Nature Play
Product code	VRBE080.759
Name of equipment	Vrijbuitter Klimklautertoestel
Maximum height of fall	2,1 m
Year of construction	2017
Certificate	09200116201
inspection authority	Liftinstituut B.V. Buikslotermeerplein 381, A'dam - 1025 XE Amsterdam
Name manufacturer	BOERplay Hyacintstraat 2 - 4255 HX Nieuwendijk Phone: +31 (0)183 40 23 66 Fax: +31 (0)183 40 35 64
name installer	_____ _____
Description of equipment	Combination equipment
Location of equipment	_____
Data about the owner of the play equipment	
Name:	_____
Address:	_____
Postcode and town:	_____
Contact person:	_____
Telephone number:	_____
Data about the administrator of the play equipment	
Name:	_____
Address:	_____
Postcode and town:	_____
Contact person:	_____
Telephone number:	_____

LOGBOOK

Inspection and maintenance intervals



Nr.	Inspection	Maintenance	months between inspections
1	Verify equipment's stability, junctions and missing parts. Inspect bolts, screws and nuts for absence, jams, corrosion and wear.	Add missing parts, secure joints, apply missing fixing agent and replace corroded parts.	1
2	Check suspension for wear.	Replace worn parts and/or remove non-functioning parts.	1
3	Inspect rotating parts such as hinges, rolling-element bearings, etc. for wear and acceptability.	Replace worn parts and/or remove non-functioning parts.	1
4	Check wood for splinters, unacceptable damage and signs of rot. Especially at ground level.	Repair damage. Replace affected wood. Smoothen splintered wood and sharp edges.	1
5	Inspect foundation for stability, tearing and coverage.	Restore foundation and covering material.	3
6	Examine rubber and synthetic parts for wear, damage and break.	Replace original parts.	3
7	Inspect metal for corrosion and damage in the coating.	Restore any damaged coating (after removing rust and applying primer).	6
8	Check ropes, cables, chains and nets for wear and damage. Steel cables and nets which are tensioned must be checked for tension.	Replace parts where necessary. Steel cables and nets must be tensioned.	3
9	Inspect equipment for unsafe changes and additions.	Remove unsafe additions and correct unsafe changes.	1
10	Inspect safety surfaces.	Restore and repair where necessary.	1

Remarks

1. If used intensively, all points require extra attention.
2. Extreme weather conditions and locations may require a higher inspection frequency. Discuss this with the supplier.
3. Vandalism-sensitive locations require stricter inspections, possibly daily.
4. Check the terrain regularly for items that do not belong there, are unsafe or may be used wrongly. Examples are poisonous plants, glass shards, etc. Frequency depends on strain.
5. Remember that bad maintenance leads to unsafe conditions and notably faster impoverishment of the playground area.
6. Replacement parts can be ordered at the manufacturer with the part numbers on the module drawing. Drawings can be found in de user guide.
7. The impact area shall be provided with impact attenuating surface according to the specified falling height.
8. This list is conform the CEN-standard "playground equipment and surfacing NEN-EN 1176-7".

TYPE-EXAMINATION CERTIFICATE

Acting under the "Warenwetbesluit Attractie- en Speeltoestellen" issued by Liftinstituut B.V.
commissioned by departmental order, no. VGP/PSL 2857566 from 27 Juni 2008.

Certificate nr. : NL 09-2001-162-01 Revision nr.: 200116201

Description of the product : Playground equipment, made up by modules

Trademark, type : Speelwijzer, MOD VRB: 001 t/m 019, 021 t/m 027, 029, 031,032,
034 t/m 062, 065, 066, 071 t/m 074, 076, 077, 079 t/m 082, 190
t/m 193

Name and address of the manufacturer : Speelwijzer
Nijverheidsstraat 8
5317 NL Nederhemert Noord

Name and address of the certificate holder : Speelwijzer
Nijverheidsstraat 8
5317 NL Nederhemert Noord

Certificate issued on the basis of the following requirements : Warenwetbesluit Attractie- en Speeltoestellen

Test laboratory : None

Date and number of the laboratory report : None

Date of type-examination : September 3th 2001, February 9th 2009

Annexes with this certificate : Report belonging to the type-examination certificate
nr.: NL 09-2001-162-01

Additional remarks : This certificate supersedes type certificate dated June 21th 2002,
with certificate number NL 01-2001-162-01

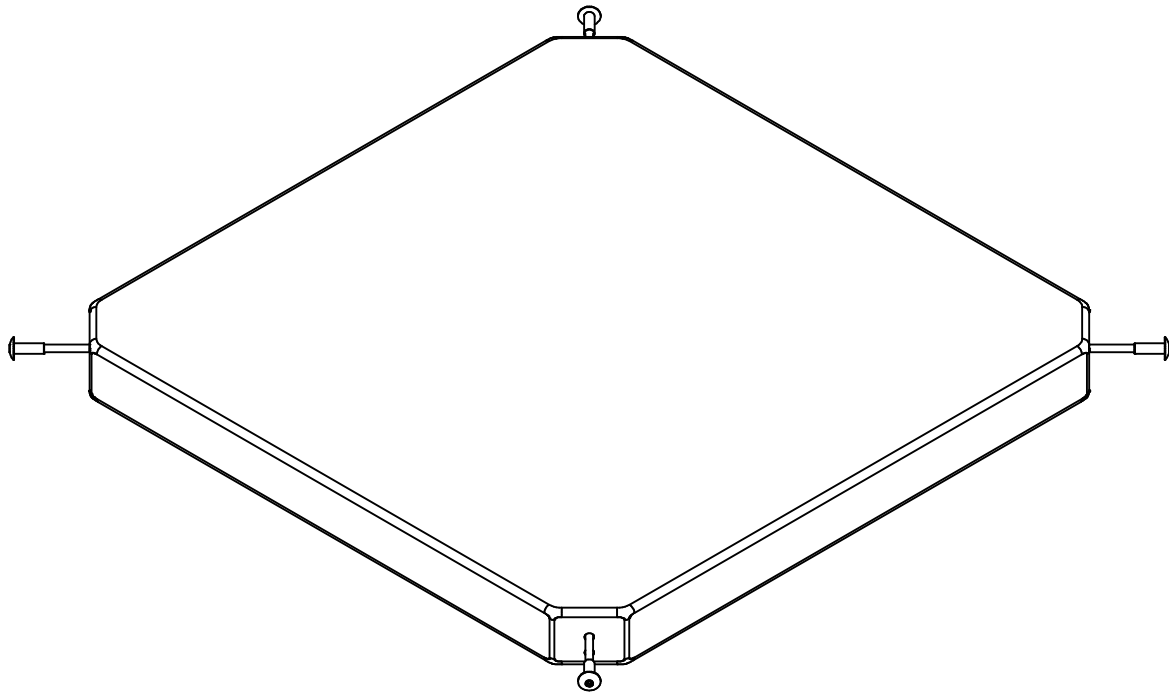
Conclusion : The playground equipment meets the requirements of the above
specified European standard(s) and "Warenwetbesluit Attractie-
en Speeltoestellen" taking into account any additional remarks
mentioned above.



Issued in Amsterdam

Date of issue : April 7th, 2009

Ir. V.M.A. Barendregt
Senior Officer Certification &
Technology
Liftinstituut B.V.



Nr	#	Type	Progr.	Volgnr	Bew.	Rev.	Benaming	Opmerking
1	4	BSR	021	010	110		Zeskantbout	M10 x 110 - RVS A2-70
2	4	BSR	035	010	030		CARROSSERIERING	M10 x 30 x 2,5
3	4	KST	LAM	015	005		LAMELLENSTOP	ROND 15
4	4	RNT	BUS	M10	040		DRAADBUS	M10 x 40
5	1	SHO	VRB	001	COA	C	Vloer VRB	Vierkant



Benaming
Title: VIERKANTVLOER

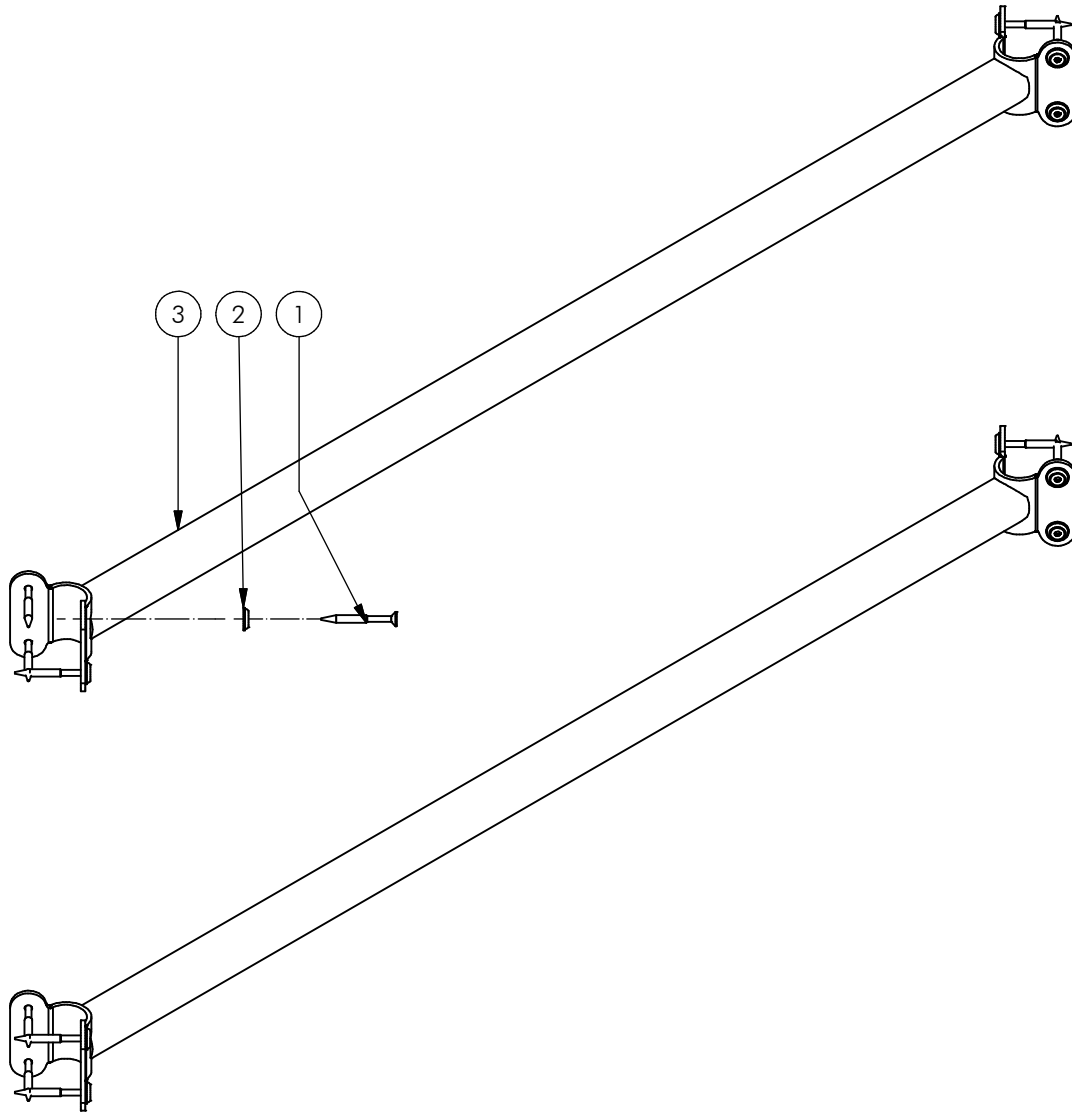
Opmerking
Comment: VRIJBUITER

Datum
Date: 10-1-2008

Tekening
Drawing

MOD VRB HHT 008

Samenstelling module *Assembly module*



3	2	SME	VRB	505	320	D	SYSTEEMBUIS	VRIJBUITER RVS
2	16	BSR	036	005	015		KRAALRING	RVS FACET
1	16	BSR	002	005	050		SCHROEF	5 x 50
POS	N	TYPE	PROJ.	NR.	BEH.	R	BENAMING	OPMERKING



Benaming
Title: WANDJE

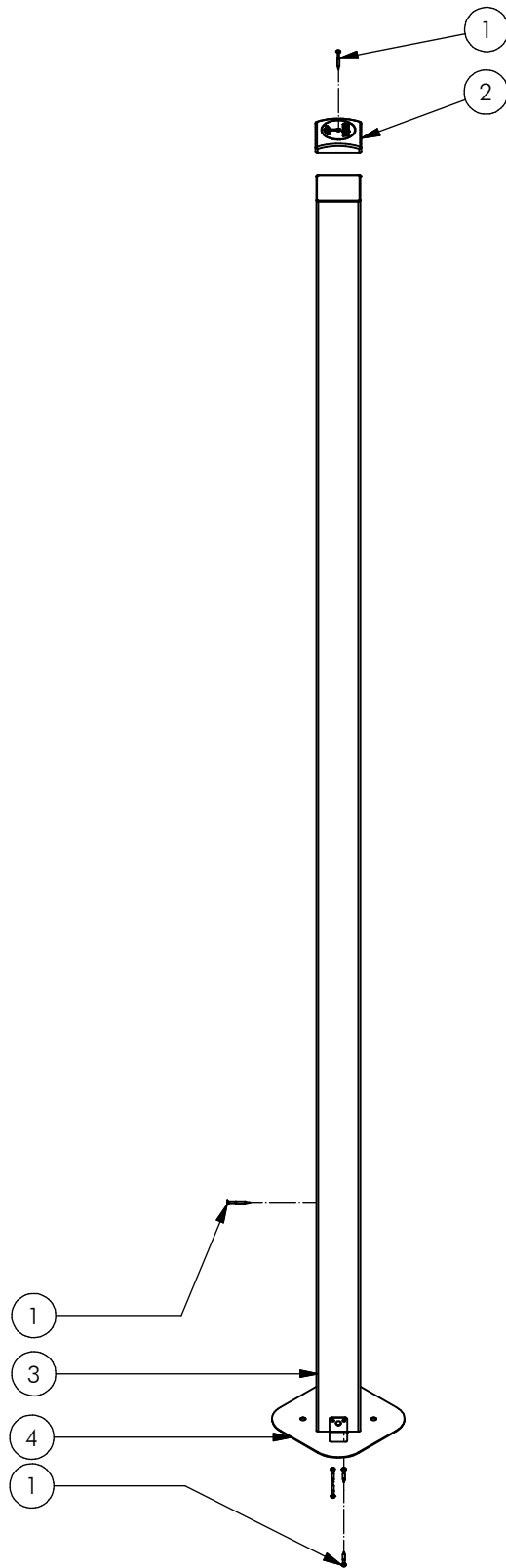
Opmerking
Comment: BUIS DUBBEL

Datum
Date: 25-9-2006

Tekening
Drawing

MOD VRB HHT 012

Samenstelling module *Assembly module*



POS	N	TYPE	PROJ.	NR.	BEH.	R	BENAMING	OPMERKING
1	6	BSR	002	005	050		Schroef Assy	5 x 50 - RVS A2-70
2	1	OME	KAP	100	502	B	Paalkap 100x100	Aluminium
3	1	OHO	HHT	100	014		Staander HHT	100x100, lengte=3410
4	1	OME	VRB	903	VZP	C	Voetplaat	100 x 100



Benaming
Title | STAANDER

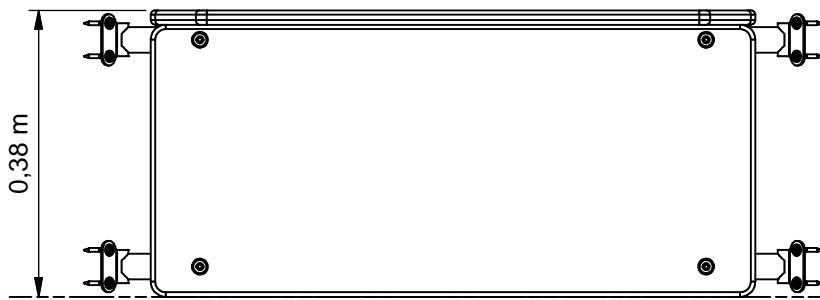
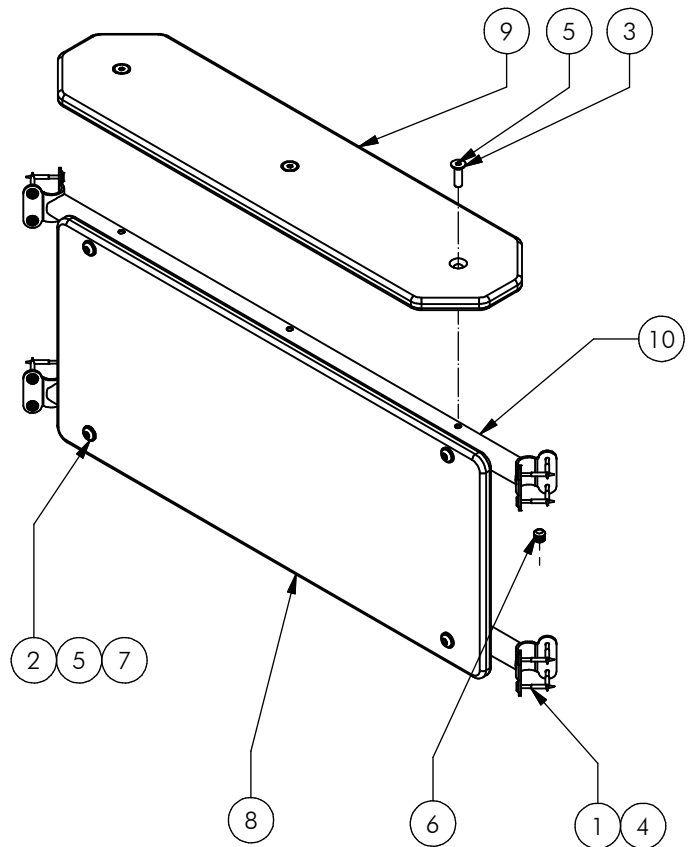
Opmerking
Comment | 281 CM

Datum
Date | 9-5-2007

Tekening
Drawing

MOD VRB HHT 055

Modules Modules




Grondmarkering
 Ground level marker

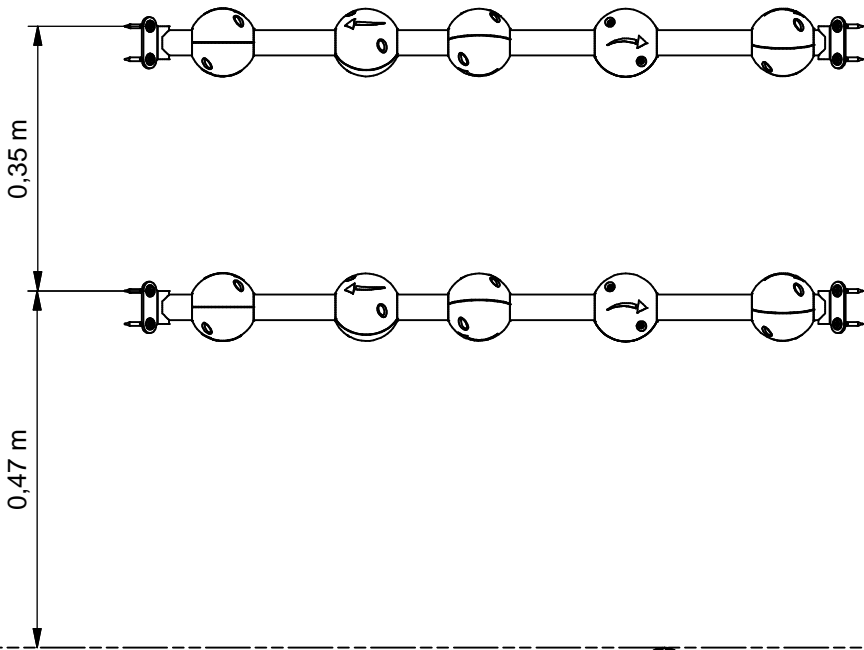
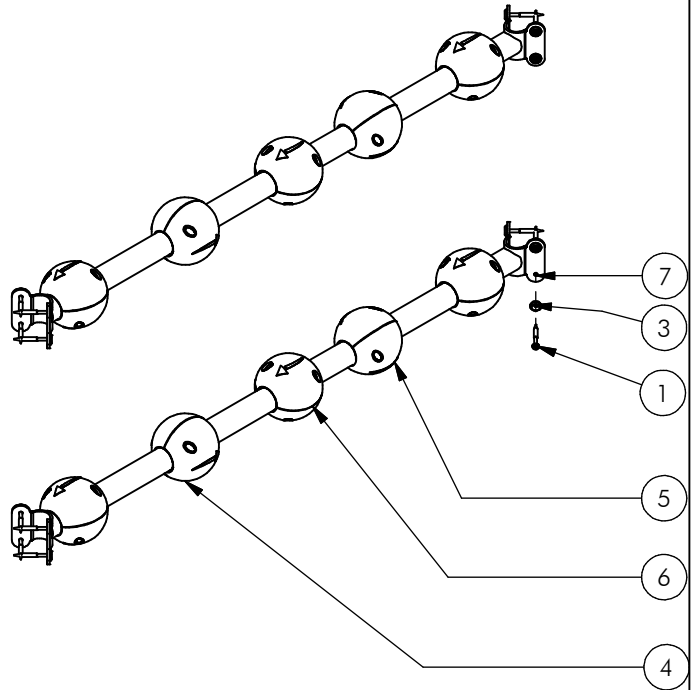
Nr.	#	Type	Progr.	Volgnr.	Bew.	Rev.	Benaming	Opmerking
1	16	BSR	002	005	050		SCHROEF	5 x 50
2	4	BSR	023	010	040		Bolkopbout ISO 7380	M10 x 40 - RVS A2-70
3	3	BSR	024	010	035		Verzonken bout	M10 x 35 - RVS A2-70
4	16	BSR	036	005	015		Facet ring	M5 - RVS A2-70
5	7	KST	DOP	006	030		OPVULDOPIE	6 MM ROOD
6	3	KST	LAM	015	005		LAMELLENSTOP	ROND 15
7	4	KST	ROR	010	000		RING NYLON	M10 x 2.5 MM
8	1	OPE	DRM	060	050	B	ONDERPLAAT	LOKET
9	1	OPE	DRM	061	010	A	TOONBANK	LOKET
10	2	SME	VRB	660	320		SYSTEEMBUIS	VRIJBUIITER RVS



Benaming
 Title LOKET
 Opmerking
 Comment MET ONDERPLAAT
 Datum
 Date 28-11-2013

Tekening
 Drawing

MOD VRB HHT 062 A
 Samenstelling module Assembly module



↑ Grondmarkering
Ground level marker

Nr	#	Type	Progr.	Volgnr	Bew.	Rev.	Benaming	Opmerking
1	16	BSR	002	005	050		Schroef Assy	5 x 50 - RVS A2-70
2	40	BSR	005	004	019		Zelfb. schroef	3,5 x 19 - RVS A2-70
3	16	BSR	036	005	015		Facet ring	M5 - RVS A2-70
4	8	KST	BOL	036	050		Telbol helpt	Blauw
5	8	KST	BOL	036	030		Telbol helpt	Rood
6	4	KST	BOL	036	010		Telbol helpt	Geel
7	2	SME	VRB	505	320	D	SYSTEEMBUIS	VRJIBUITER RVS



Benaming
Title TELBOLBUIS

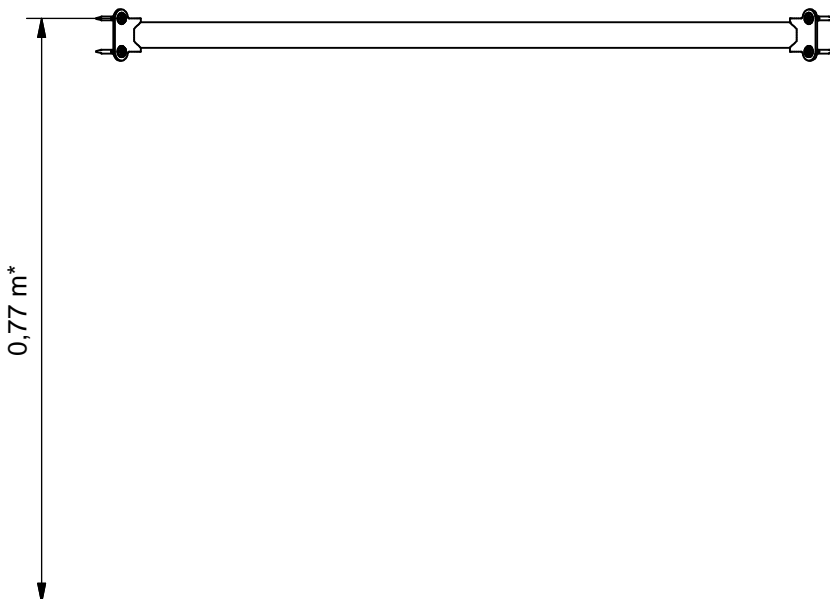
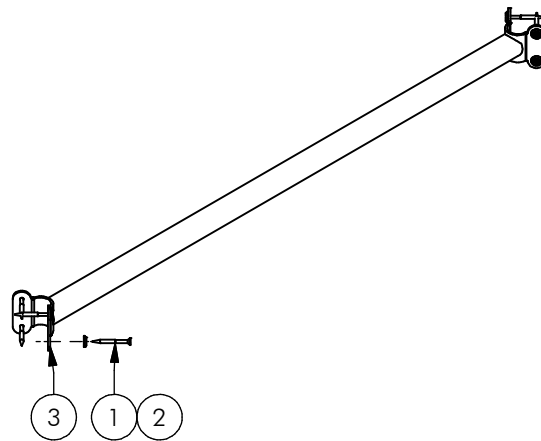
Opmerking
Comment DUBBEL

Datum
Date 25-9-2006

Tekening
Drawing

MOD VRB HHT 063

Samenstelling module Assembly module



Bovenkant bordes
(Top platform)

*Gebruikt als railing
*Used as railing

Nr	#	Type	Progr.	Volgnr	Bew.	Rev.	Benaming	Opmerking
1	8	BSR	002	005	050		Schroef Assy	5 x 50 - RVS A2-70
2	8	BSR	036	005	015		Facet ring	M5 - RVS A2-70
3	1	SME	VRB	505	320	D	SYSTEEMBUIS	VRJIBUITER RVS

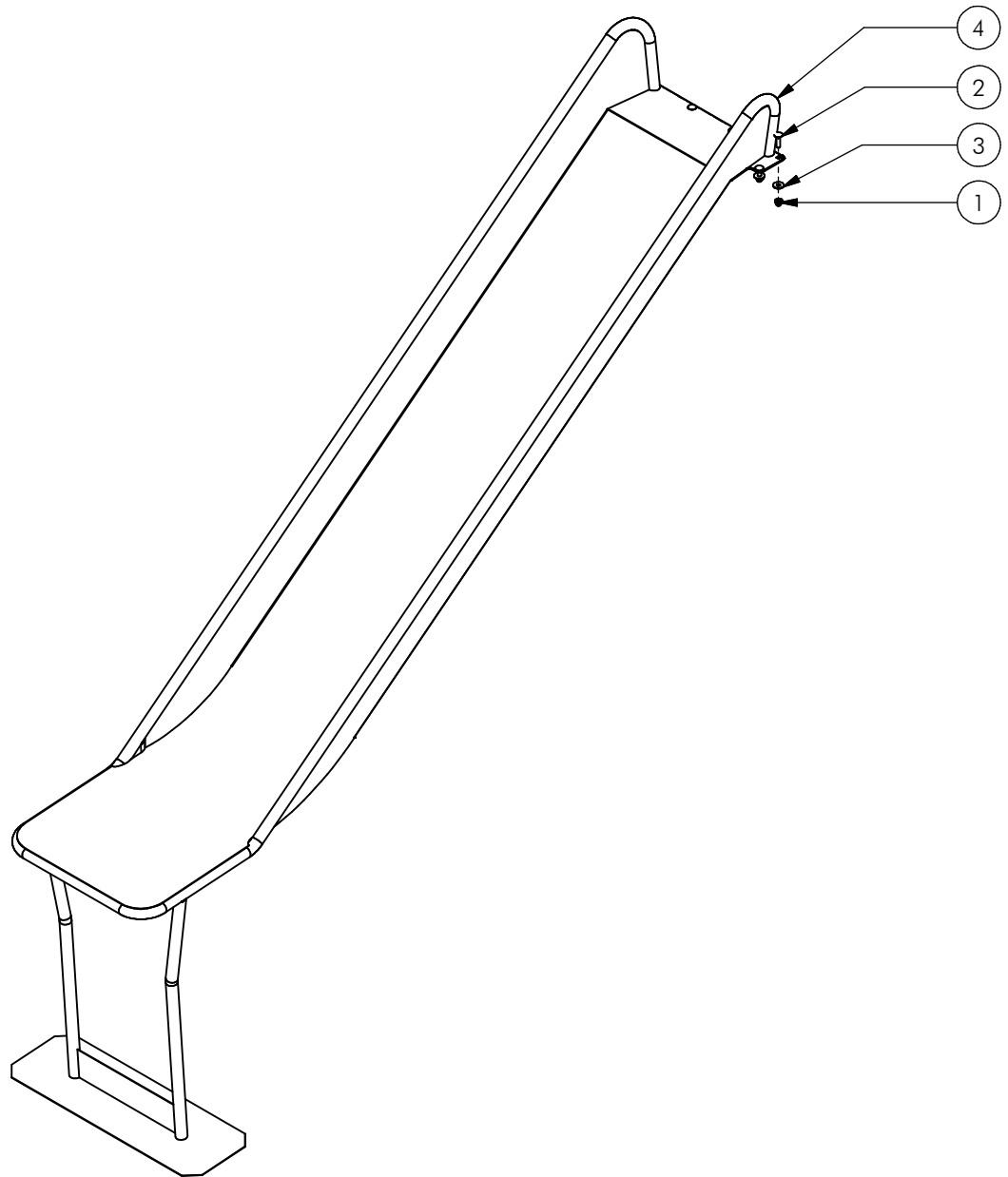
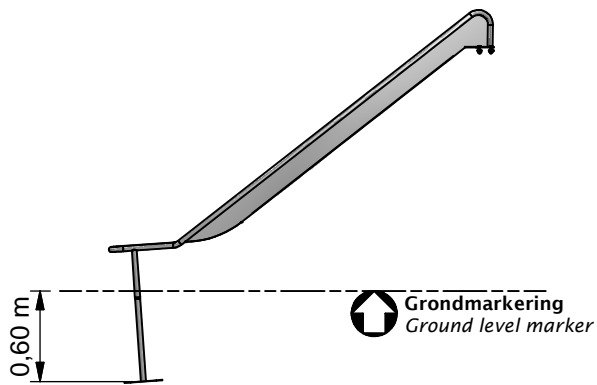


Benaming
Title | SYSTEEMBUIS
Opmerking
Comment | ENKEL
Datum
Date | 25-9-2006

Tekening
Drawing

MOD VRB HHT 075

Samenstelling module Assembly module



Let op: toestel bij voorkeur niet met de glijbaan op het zuiden plaatsen.

Attention: it is advisable not to orient playground equipment with the slide facing south

Nr	#	Type	Progr.	Volgnr	Bew.	Rev.	Benaming	Opmerking
1	6	BSR	011	010	020		DOPMOER	BORG RVS M10
2	6	BSR	026	010	040		Slotbout	M10 x 40 - RVS A2-70
3	6	BSR	035	010	030		Carrosserie ring	M10 - RVS A2-70
4	1	SME	VRB	613	320	B	Glijbaan	161 cm



Benaming
Title: Glijbaan 161 cm

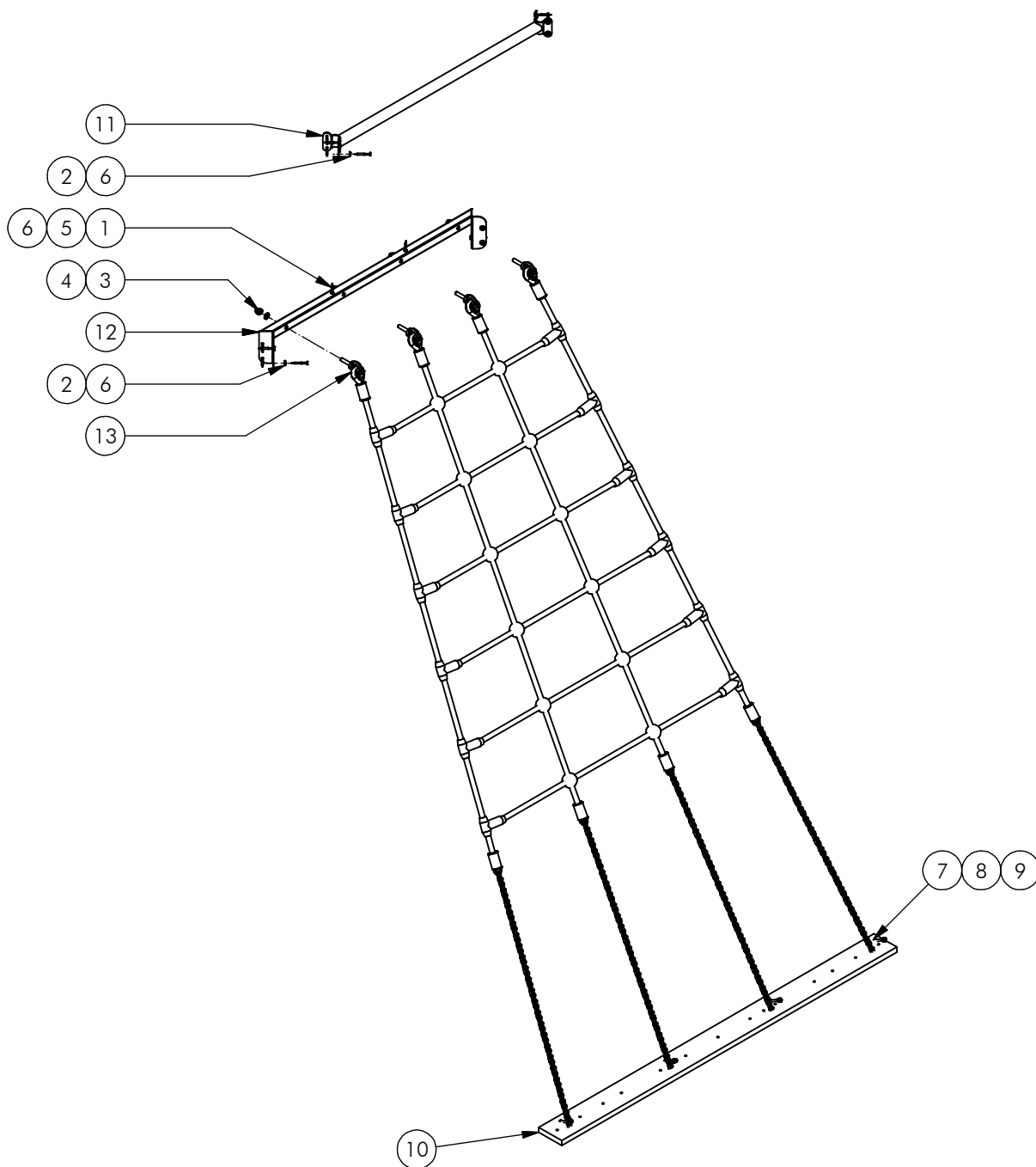
Opmerking
Comment: Module HHT

Datum
Date: 3-12-2008

Tekening
Drawing

MOD VRB HHT 192

Samenstelling module Assembly module



Nr	#	Type	Progr.	Volgnr	Bew.	Rev.	Benaming	Opmerking
1	2	BSR	002	005	070		Schroef Assy	5 x 70 - RVS A2-70
2	16	BSR	002	005	050		SCHROEF	5 x 50
3	4	BSR	011	010	020		Borgdopmoer	M10 - RVS A2-70
4	4	BSR	030	010	002		SLUITRING	M10
5	2	BSR	035	006	020		Carrosserie ring	M6 - RVS A2-70
6	18	BSR	036	005	015		Facet ring	M5 - RVS A2-70
7	4	BSV	017	006	005		Zeskantmoer	M6 - VZ 8.8
8	4	BSV	021	006	050		Zeskantbout ISO 4014	M6 x 50 - VZ 8.8
9	8	BSV	030	006	002		Sluitring	M6 - VZ 8.8
10	1	KST	APL	146		A	Ankerplaat	1460x100x19
11	1	SME	VRB	505	320	D	SYSTEEMBUIS	VRIJBUITER RVS
12	1	SME	VRB	562	320		VLOERKOKER	HANGNET
13	1	SNT	VRB	111	BLW		OPLOOPNET 1.5M	VRIJBUITER



Benaming
Title: OPLOOPNET

Opmerking
Comment: VLOER 161 CM

Datum
Date: 18-12-2014

Tekening
Drawing

MOD VRB HHT 655 A
 Samenstelling module Assembly module