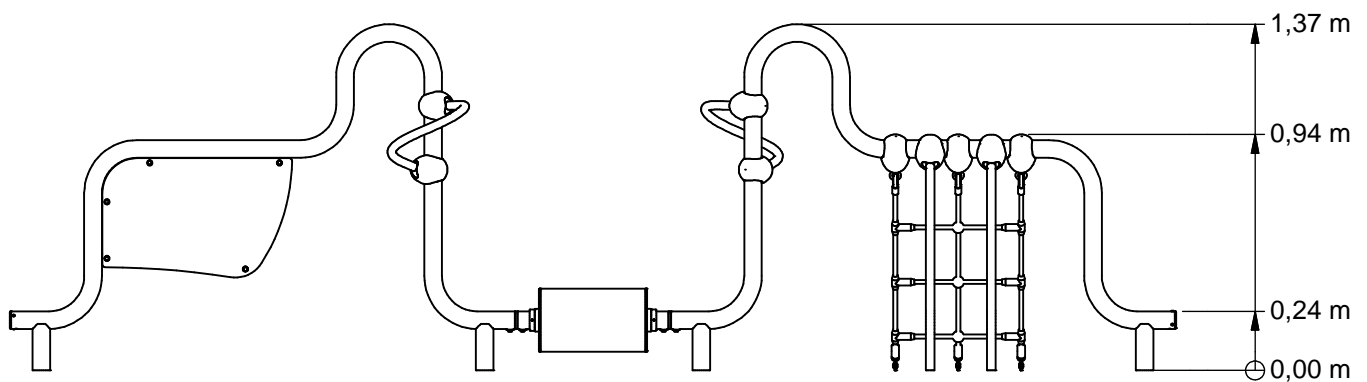
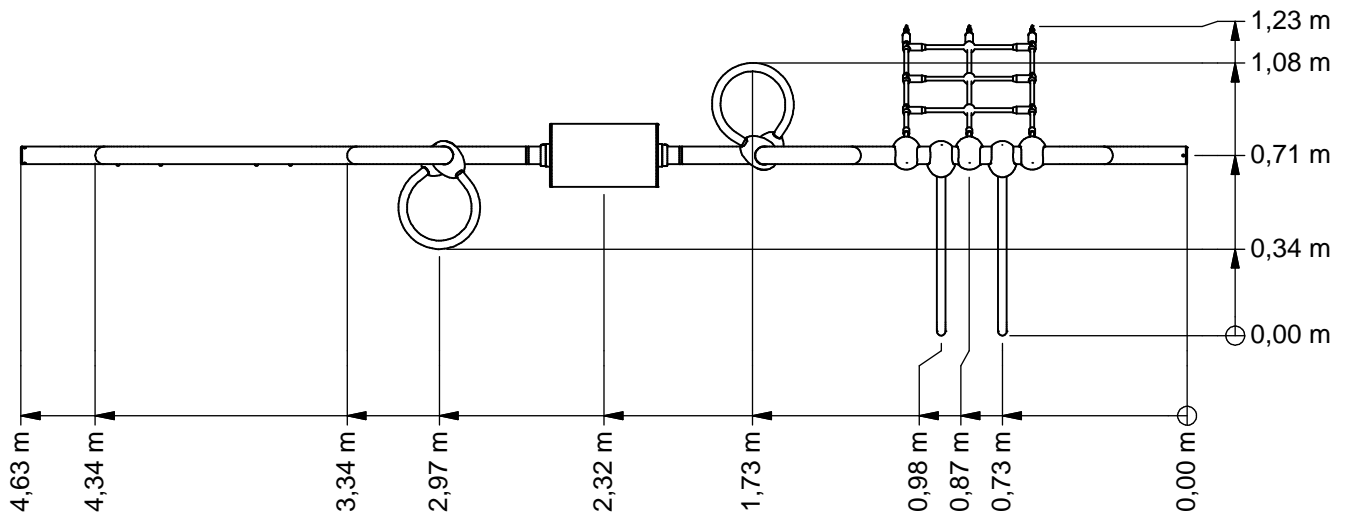




Playchain 203



PNRE000.203



Benaming
Title Pionier

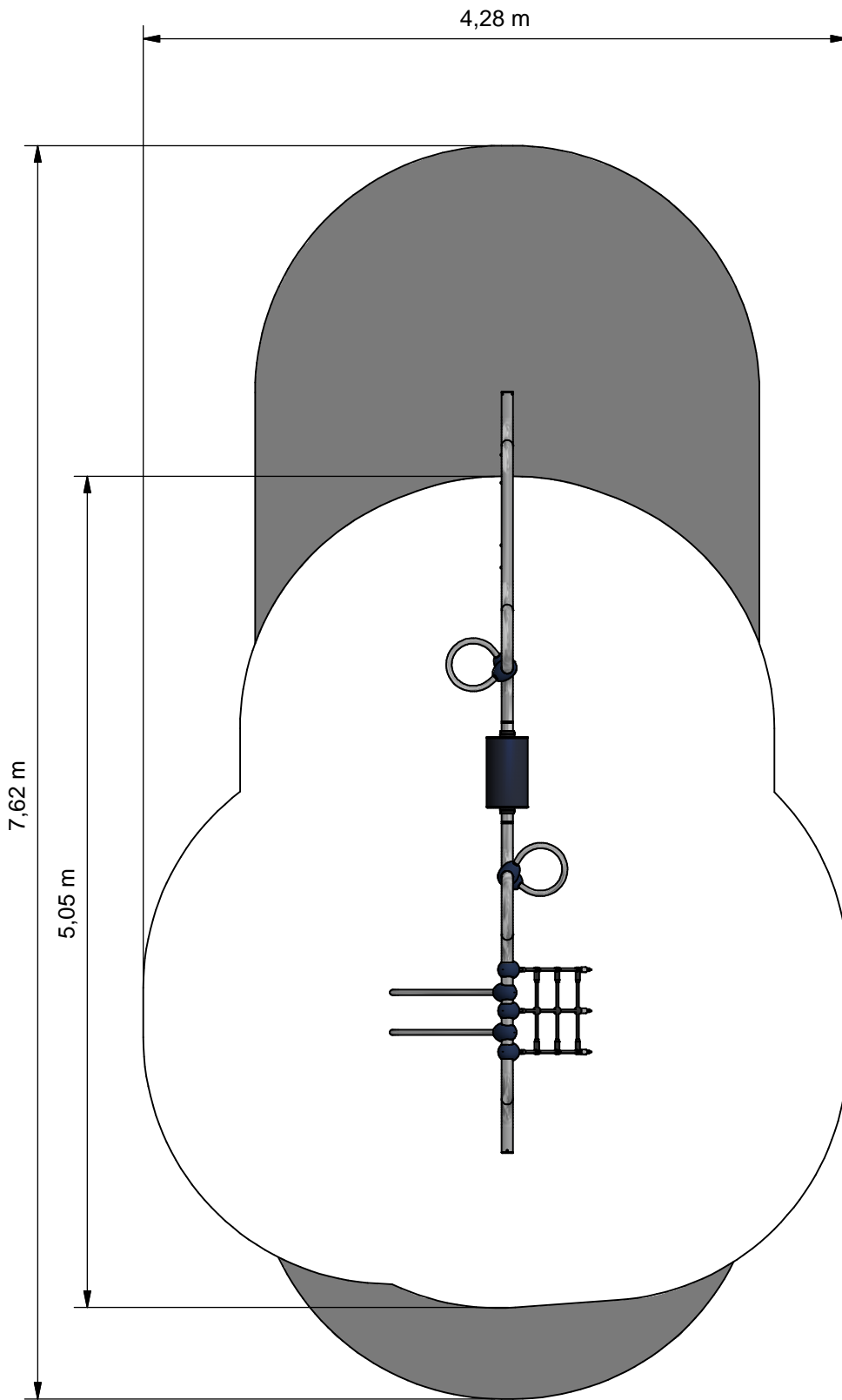
Opmerking
Comment Playchain 203

Datum
Date 5-10-2010

Tekening
Drawing

TOE PNR 000 203 A

Afmetingen Dimensions



- Opvangzone
Impact area
- Obstakelvrije zone
Obstacle free zone



Benaming / Title: Pionier

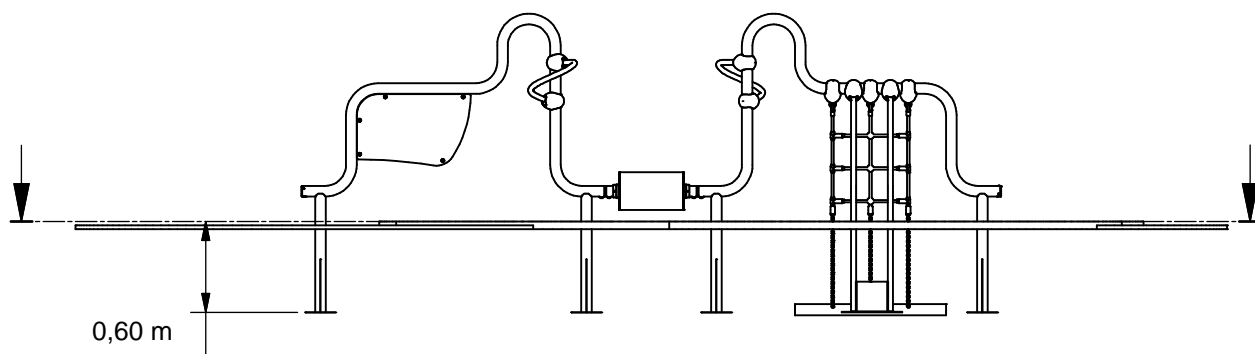
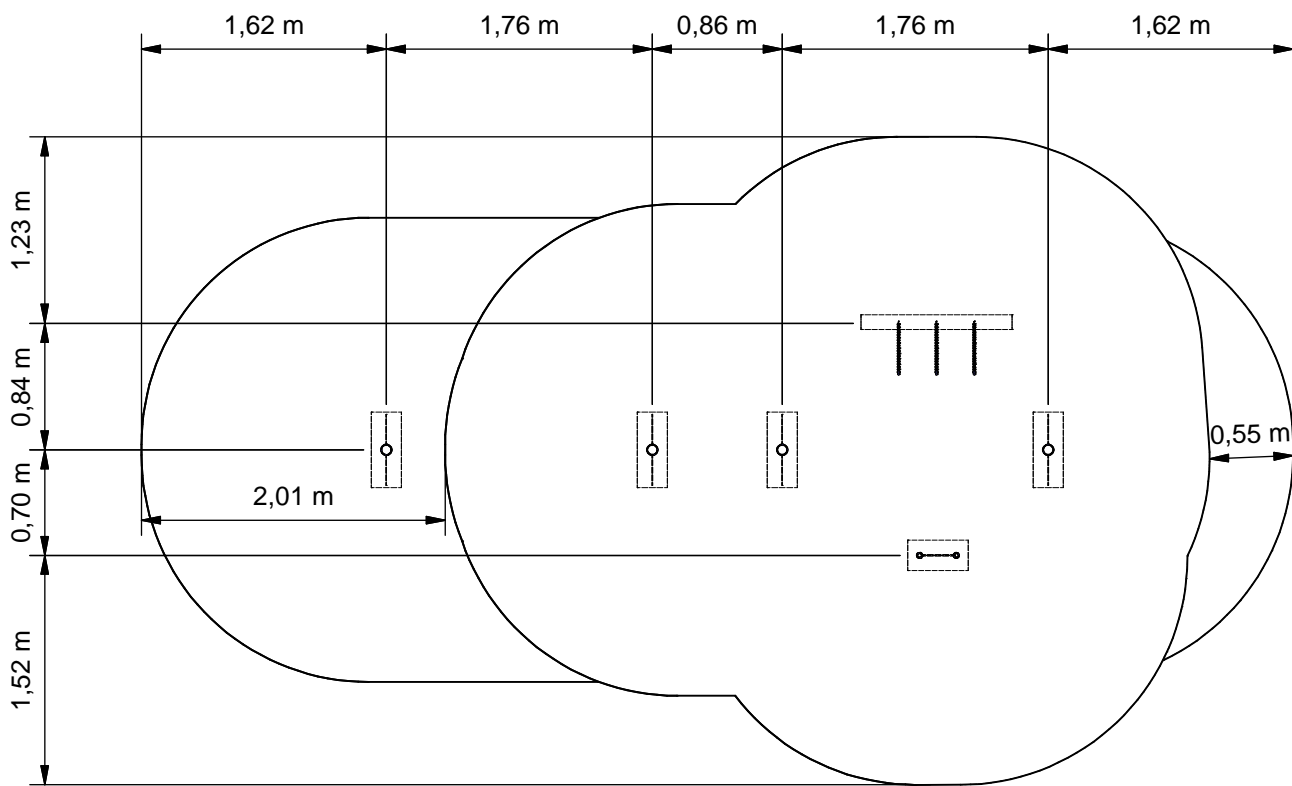
Opmerking / Comment: Playchain 203

Datum / Date: 5-10-2010

Tekening / Drawing

TOE PNR 000 203 A

Obstakelvrije zone *Obstacle free zone*



Benaming
Title Pionier

Opmerking
Comment Playchain 203

Datum
Date 5-10-2010

Tekening
Drawing

TOE PNR 000 203 A

Bodemplan *Groundplan*

Geleverde modules:

Zie tabel

Supplied modules:

See table

Montageinstructie:

- De hoofdmaten geven de maten van de standers en vloeren aan
- De detailtekeningen geven specifiek de maten van de verbindingen aan
- De modules met buizen zijn op de tekeningen bemaat op bovenkant kopplaat
- Overige modules zijn bemaat op de bovenkant (klimwanden, paalkappen, etc.)

Assembly instruction:

- The main dimensions indicate the dimensions of the posts and floors
- The detailed dimensions show the specific dimensions of the connections
- The modules which contain tubes are dimensioned at the top of the flanges
- Other modules are dimensioned at the top (climbing walls, caps for the posts, etc.)

Montagevolgorde:

- 1 - Graaf de gaten volgens het bodemplan
- 2 - Verbind 3+4 met 2(2x),9
- 3 - Plaats 2(2x),3,4,9
- 4 - Plaats 1(2x),5(2x),6,7,8 en verbind deze aan het toestel
- 5 - Controleer of het toestel voldoet aan de afmetingen zoals op blad 'afmetingen'
- 6 - Dicht de gaten en verdicht het zand

Installation sequence:

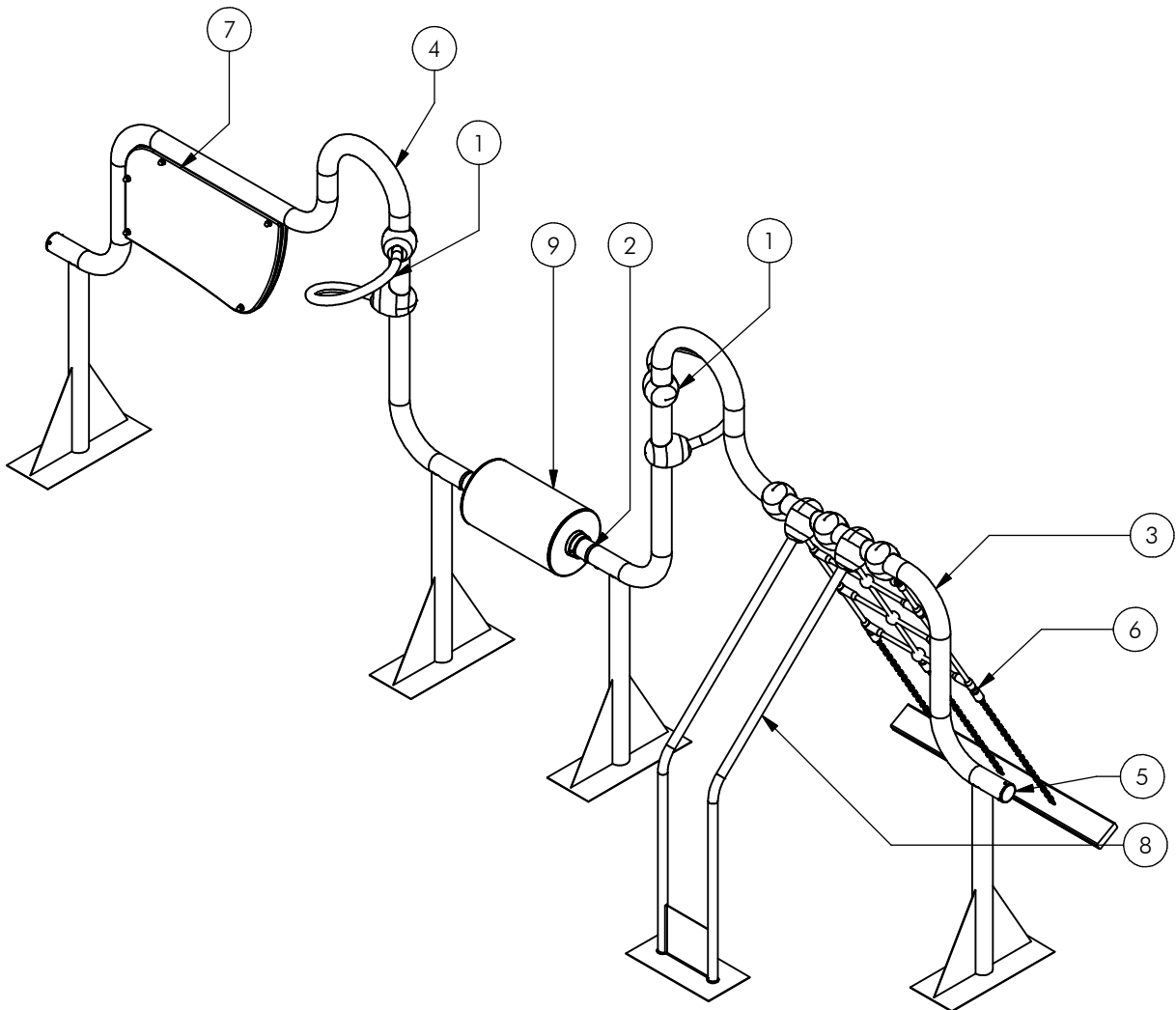
- 1 - Dig the holes according to the ground plan
- 2 - Assemble tower 3+4 using 2(2x),9
- 3 - Place tower 2(2x),3,4,9
- 4 - Place 1(2x),5(2x),6,7,8 and attach it to the unit
- 5 - Check that the unit conforms to the dimensions on sheet 'dimensions'
- 6 - Close the holes and compacted the sand

Controles:

- 1 - Correcte opbouw en alle bevestigingsmiddelen
- 2 - Controleer de afmetingen van de valbodem t.o.v. het toestel

Checks:

- 1 - Correct assembly and all the fasteners
- 2 - Check the dimensions of the safety area with regard to the play equipment



Nr	#	Type	Progr.	Volgnr	Bew.	Rev.	Benaming	Opmerking
1	2	MOD	PNR	325	000		Wokkel	Enkel
2	2	MOD	PNR	530	000		Koppelstuk	Speelbuis
3	1	MOD	PNR	531	000		Basisstuk	Speelbuis
4	1	MOD	PNR	532	000		Basisstuk + lippen	Speelbuis
5	2	MOD	PNR	537	000	A	Einddop	buis 70
6	1	MOD	PNR	541	000	A	Oploopnet	Speelbuis
7	1	MOD	PNR	549	000	A	Spiegel	Speelbuis
8	1	MOD	PNR	552	000		Glijstangen	Speelbuis
9	1	MOD	PNR	554	000		Loopton	Speelbuis



Benaming
Title | Pionier

Opmerking
Comment | Playchain 203

Datum
Date | 5-10-2010

Tekening
Drawing

TOE PNR 000 203 A

Modules Modules

PNRE000.203

Playchain 203

LOGBOOK

(Onderstaand logboek kan gebruikt worden om te voldoen aan de eisen, gesteld in artikel 14 van het Warenwetbesluit Attractie- en Speeltoestellen)

Type indication	Pioneer Play
Product code	PNRE000.203
Name of equipment	Playchain 203
Maximum height of fall	0,9 m
Year of construction	2017
Certificate	11100319321
inspection authority	Liftinstituut B.V. Buikslotermeerplein 381, A'dam - 1025 XE Amsterdam
Name manufacturer	BOERplay Hyacintstraat 2 - 4255 HX Nieuwendijk Phone: +31 (0)183 40 23 66 Fax: +31 (0)183 40 35 64
name installer	_____ _____
Description of equipment	Playchain 203
Location of equipment	_____
Data about the owner of the play equipment	
Name:	_____
Address:	_____
Postcode and town:	_____
Contact person:	_____
Telephone number:	_____
Data about the administrator of the play equipment	
Name:	_____
Address:	_____
Postcode and town:	_____
Contact person:	_____
Telephone number:	_____

LOGBOOK

Inspection and maintenance intervals



Nr.	Inspection	Maintenance	months between inspections
1	Verify equipment's stability, junctions and missing parts. Inspect bolts, screws and nuts for absence, jams, corrosion and wear.	Add missing parts, secure joints, apply missing fixing agent and replace corroded parts.	1
2	Check suspension for wear.	Replace worn parts and/or remove non-functioning parts.	1
3	Inspect rotating parts such as hinges, rolling-element bearings, etc. for wear and acceptability.	Replace worn parts and/or remove non-functioning parts.	1
4	Check wood for splinters, unacceptable damage and signs of rot. Especially at ground level.	Repair damage. Replace affected wood. Smoothen splintered wood and sharp edges.	1
5	Inspect foundation for stability, tearing and coverage.	Restore foundation and covering material.	3
6	Examine rubber and synthetic parts for wear, damage and break.	Replace original parts.	3
7	Inspect metal for corrosion and damage in the coating.	Restore any damaged coating (after removing rust and applying primer).	6
8	Check ropes, cables, chains and nets for wear and damage. Steel cables and nets which are tensioned must be checked for tension.	Replace parts where necessary. Steel cables and nets must be tensioned.	3
9	Inspect equipment for unsafe changes and additions.	Remove unsafe additions and correct unsafe changes.	1
10	Inspect safety surfaces.	Restore and repair where necessary.	1

Remarks

1. If used intensively, all points require extra attention.
2. Extreme weather conditions and locations may require a higher inspection frequency. Discuss this with the supplier.
3. Vandalism-sensitive locations require stricter inspections, possibly daily.
4. Check the terrain regularly for items that do not belong there, are unsafe or may be used wrongly. Examples are poisonous plants, glass shards, etc. Frequency depends on strain.
5. Remember that bad maintenance leads to unsafe conditions and notably faster impoverishment of the playground area.
6. Replacement parts can be ordered at the manufacturer with the part numbers on the module drawing. Drawings can be found in de user guide.
7. The impact area shall be provided with impact attenuating surface according to the specified falling height.
8. This list is conform the CEN-standard "playground equipment and surfacing NEN-EN 1176-7".

TYPE-EXAMINATION CERTIFICATE

Acting under the " Warenwetbesluit Attractie- en Speeltoestellen" issued by Liftinstituut B.V.
commissioned by departmental order, no. VGP/PSL 2857566 from 27 Juni 2008.

Certificate nr. : NL 11-100319321 Revision nr.: -

Description of the product : Playground equipment Pionier Playchain, consisting of separate modules which must be combined for an approved play-unit

Trademark, type : Playground equipment: TOE PNR 000 xxx. Modules MOD-PNR-5yy-zzz. Variabele xxx: Serialnumber playground equipment. Variabele yy: 30, 31, 32, 33, 37, 40, 41, 42, 43, 44, 45, 46. Variabele zzz: Variant of module.

Name and address of the manufacturer : Boer Speeltoestellen
Hyacinthstraat 2
4255 HX Nieuwendijk

Name and address of the certificate holder : Boer Speeltoestellen
Hyacinthstraat 2
4255 HX Nieuwendijk

Certificate issued on the basis of the following requirements : Warenwetbesluit Attractie- en Speeltoestellen, NEN-EN 1176-1:2008, NEN-EN 1176-2:2008, NEN-EN 1176-3:2008

Test laboratory : None

Date and number of the laboratory report : None

Date of type-examination : 11 november 2010 till 9 february 2011

Annexes with this certificate : Report belonging to the type-examination certificate nr.: 100319321


Additional remarks : This certificate is only valid when the used modules are combined as written in the designrules Pionier Playchain

Conclusion : The playground equipment meets the requirements of the above specified European standard(s) and "Warenwetbesluit Attractie- en Speeltoestellen" taking into account any additional remarks mentioned above.

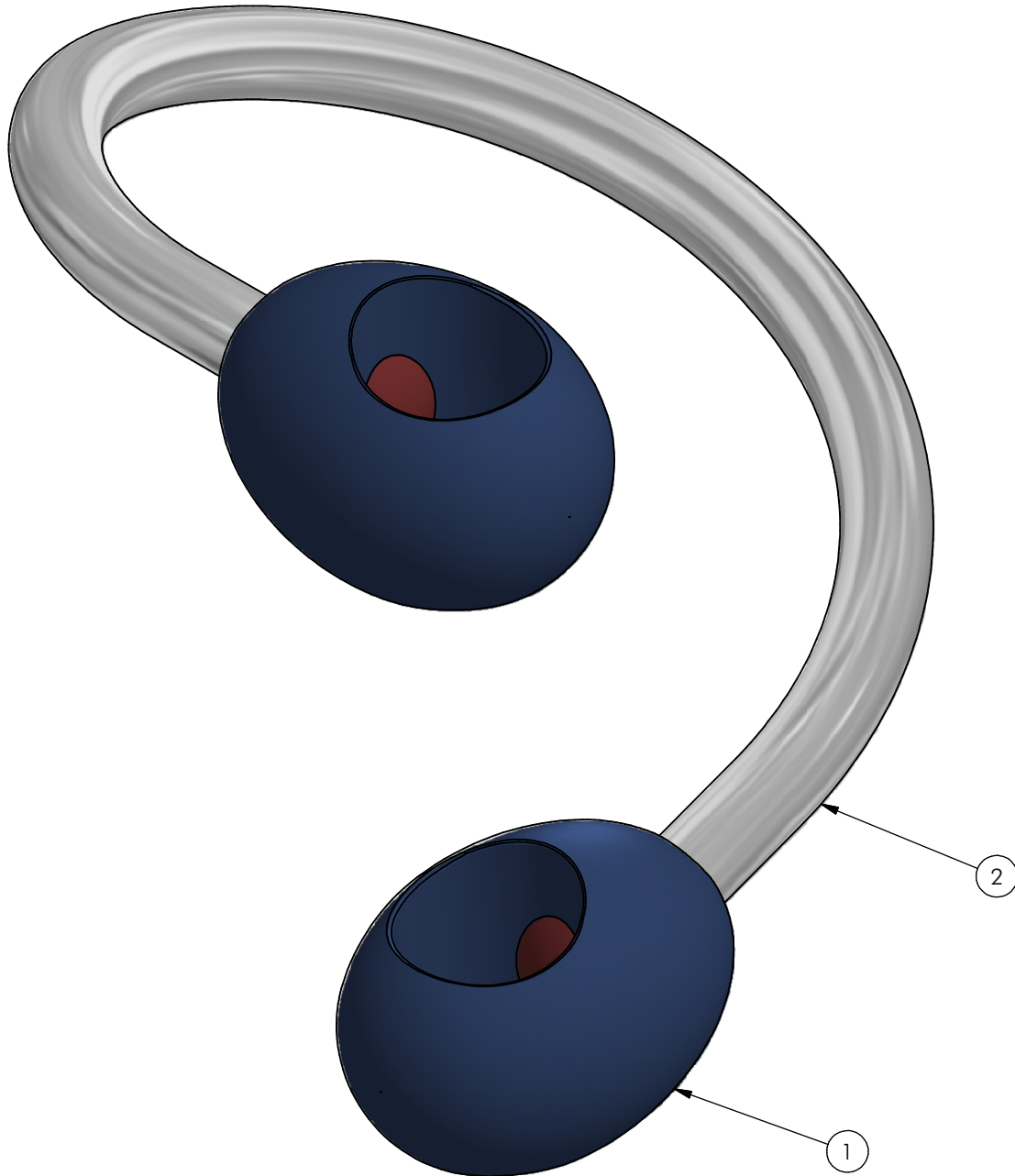


Issued in Amsterdam
Date of issue : 14 February 2011

Ir. V.M.A. Barendregt
LIFTINSTITUUT B.V.
Senior Officer Certification
& Technology



Drs. B. Mulder
LIFTINSTITUUT B.V.
Director Certification &
Inspection International



2	1	OME	PNR	018	320	B	Wokkelbuis	Wokkel
1	2	SMD	PNR	005	000		Submodule	EI 05
POS	N	TYPE	PROJ.	NR.	BEH.	R	BENAMING	OPMERKING



Benaming
Title | Wokkel

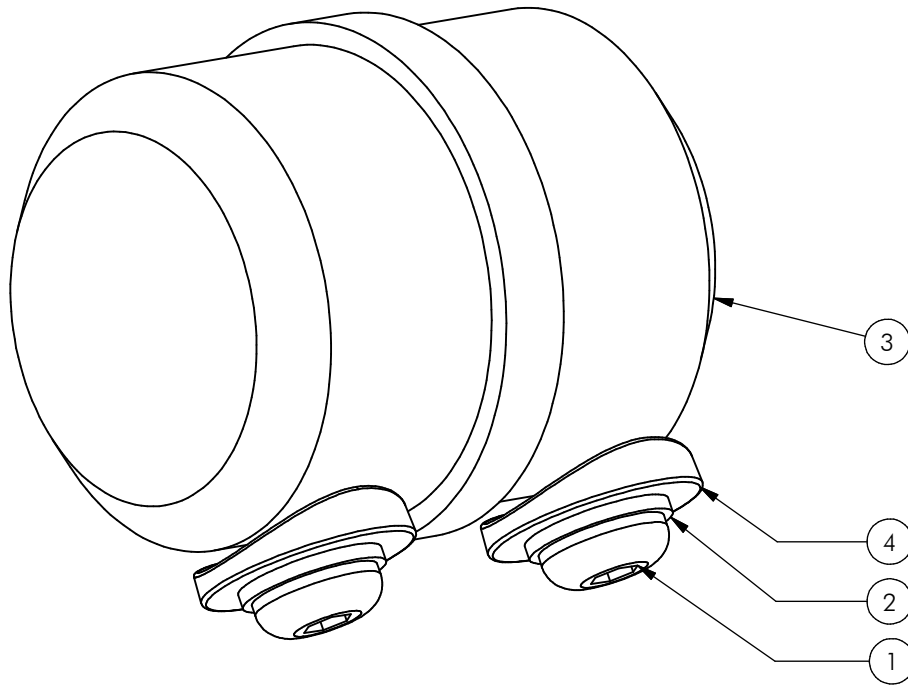
Opmerking
Comment | Enkel

Datum
Date | 9-1-2009

Tekening
Drawing

MOD PNR 325 000

Samenstelling module *Assembly module*



4	2	KST	T60	015	030	A	Zadelring	Buis 60, 15x30
3	1	KST	PNR	032	POM	A	Koppeling	Speelbuis
2	2	BSR	030	010	002		SLUITRING	M10
1	2	BSR	023	010	030		BOLKOP SCHROEF	ISO 7380 - M10 x 30
POS	N	TYPE	PROJ.	NR.	BEH.	R	BENAMING	OPMERKING



Benaming
Title Koppelstuk

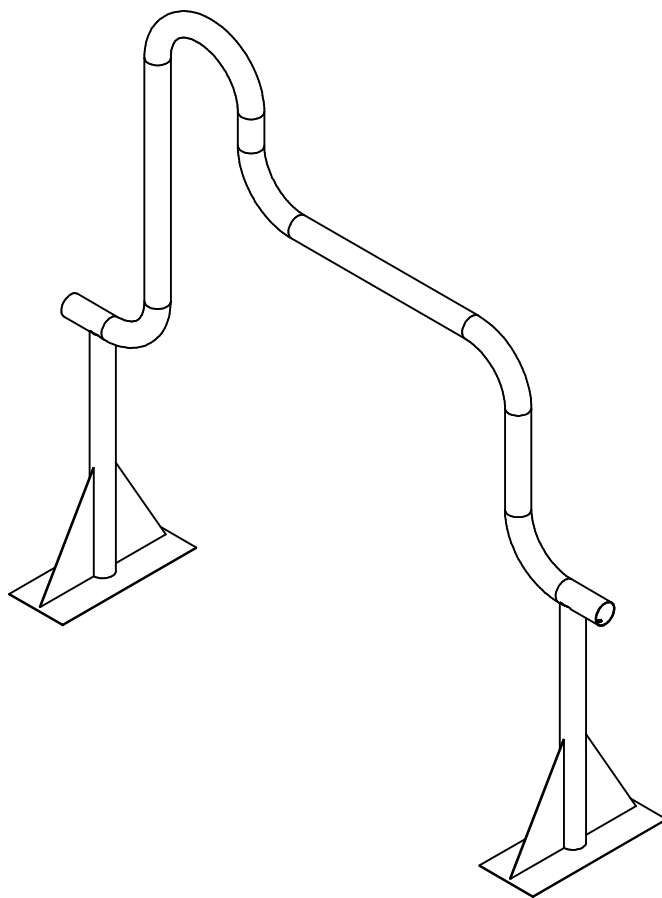
Opmerking
Comment Speelbuis

Datum
Date 20-8-2010

Tekening
Drawing

MOD PNR 530 000

Samenstelling module Assembly module



1	1	SME	PNR	351	320	A	basisstuk	Speelbuis
POS	N	TYPE	PROJ.	NR.	BEH.	R	BENAMING	OPMERKING



Benaming
Title Basisstuk

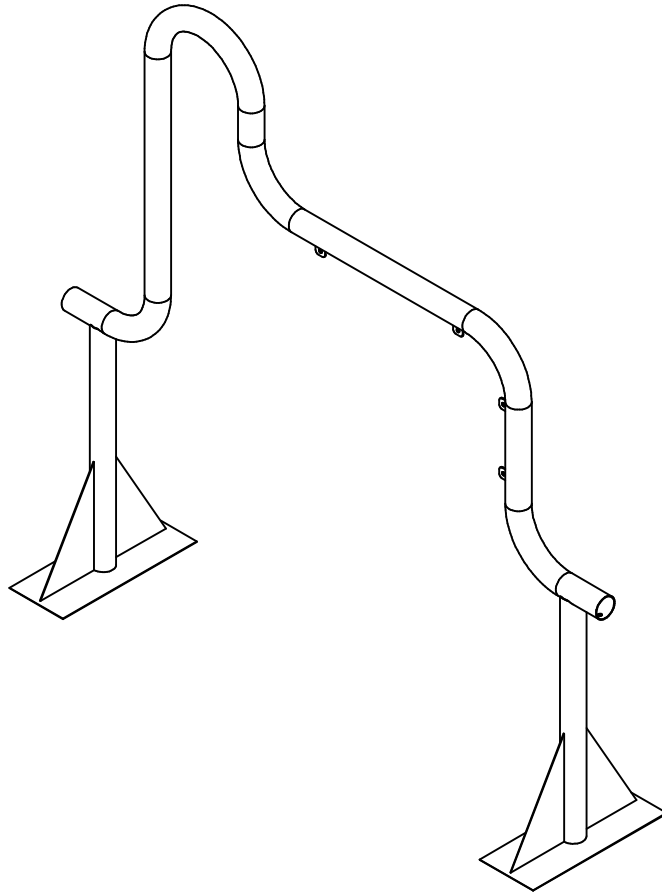
Opmerking
Comment Speelbuis

Datum
Date 22-9-2011

Tekening
Drawing

MOD PNR 531 000

Samenstelling module *Assembly module*



1	1	SME	PNR	352	320	A	Basisstuk + lippen	Speelbuis
POS	N	TYPE	PROJ.	NR.	BEH.	R	BENAMING	OPMERKING



Benaming
Title Basisstuk + lippen

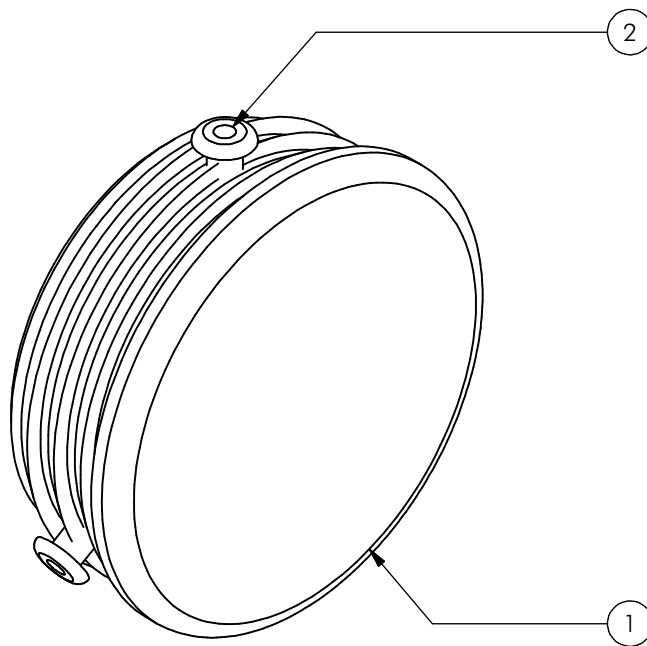
Opmerking
Comment Speelbuis

Datum
Date 22-9-2011

Tekening
Drawing

MOD PNR 532 000

Samenstelling module Assembly module



POS	N	TYPE	PROJ.	NR.	BEH.	R	BENAMING	OPMERKING
1	1	KST	LAM	070	005		Lamellenstop	buis 70 x 2-4.5
2	3	BSR	014	005	050		Klinknagel bolkop	4,8 x 12 - RVS A2-70



Benaming
Title Eindhop

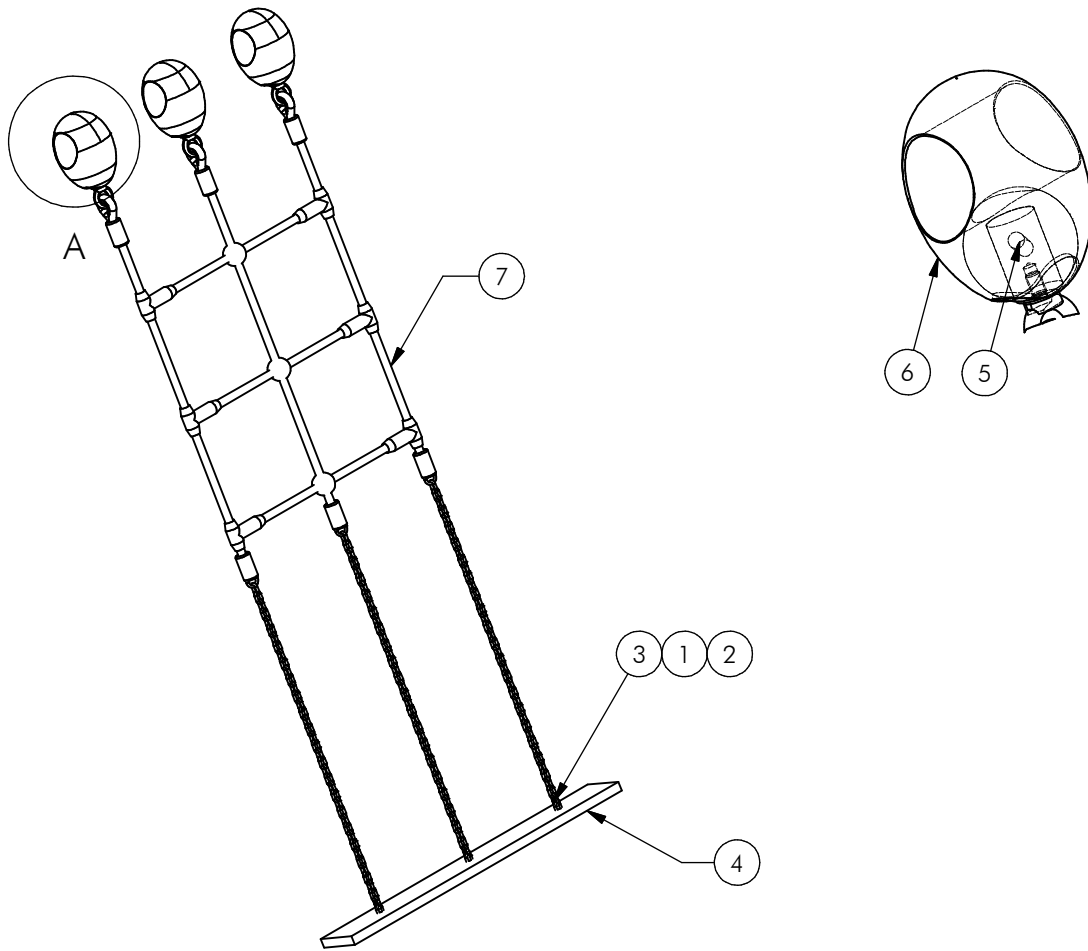
Opmerking
Comment buis 70

Datum
Date 11-12-2013

Tekening
Drawing

MOD PNR 537 000 A
Samenstelling module Assembly module

A (1:5)



Nr	#	Type	Progr.	Volgnr	Bew.	Rev.	Benaming	Opmerking
1	3	BSV	017	006	005		Zeskantmoer	M6 - VZ 8.8
2	3	BSV	021	006	050		Zeskantbout ISO 4014	M6 x 50 - VZ 8.8
3	6	BSV	030	006	002		Sluistring	M6 - VZ 8.8
4	1	KST	APL	075			Ankerplaat	750x100x19
5	3	OME	PNR	394	304		Insteek Draadbus	tbv "EI 05"
6	3	SMD	PNR	005	000		Submodule	EI 05
7	1	SNT	PNR	030	016	A	Oploopnet 930	Pionier



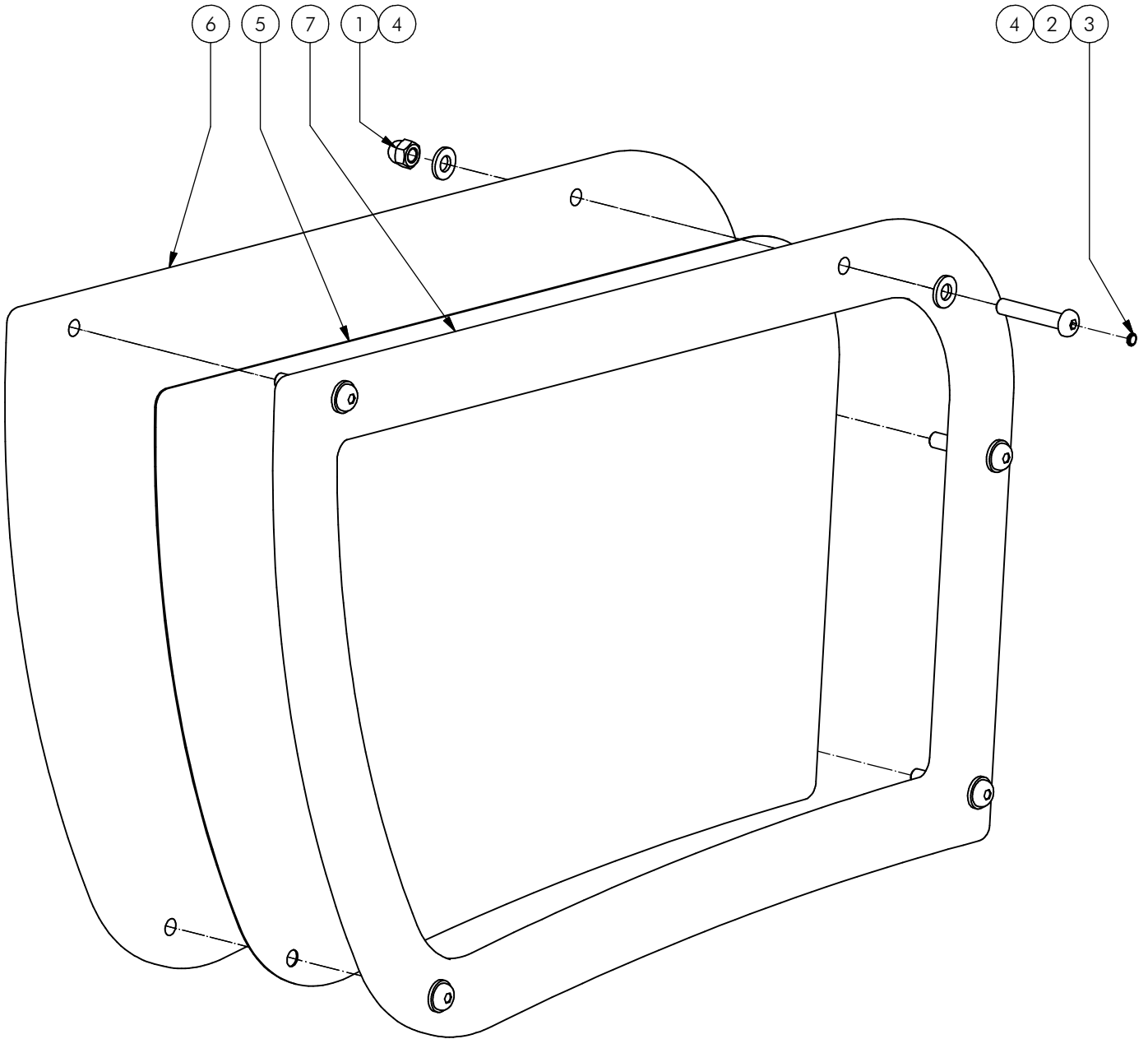
Benaming
Title Oploopnet

Opmerking
Comment Speelbuis

Datum
Date 13-8-2010

Tekening
Drawing

MOD PNR 541 000 A
 Samenstelling module *Assembly module*



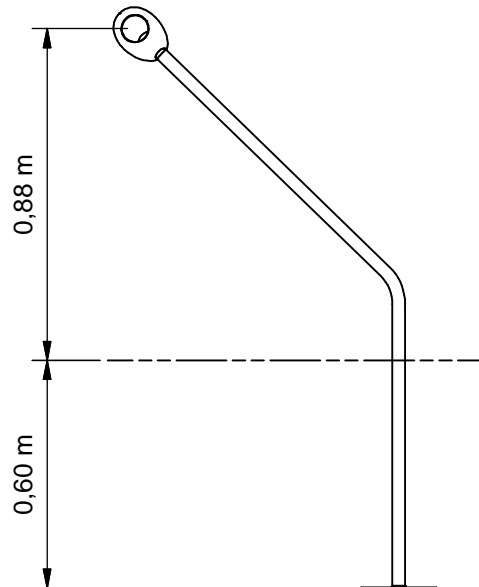
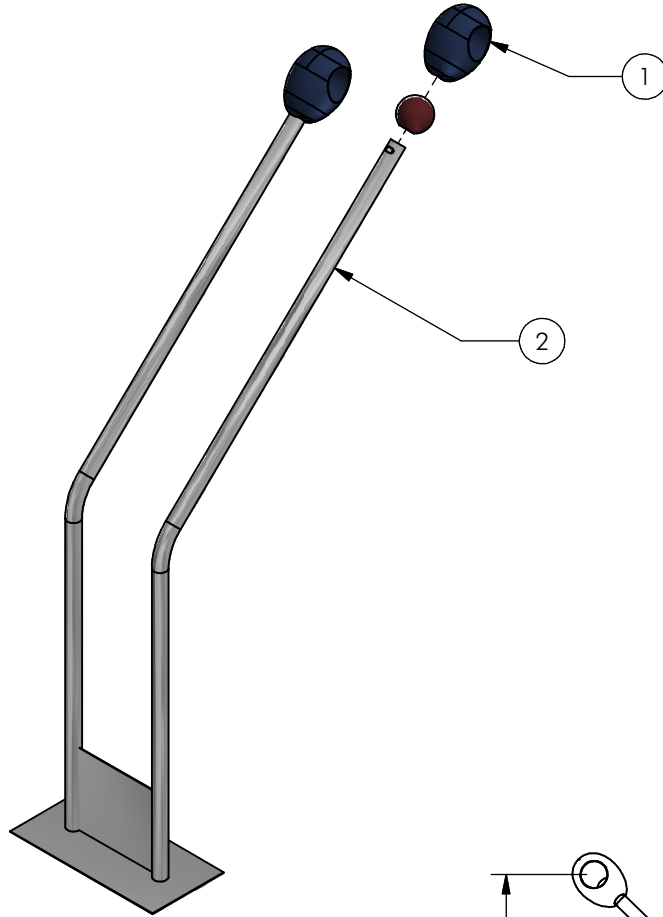
Nr	#	Type	Progr.	Volgnr	Bew.	Rev.	Benaming	Opmerking
1	5	BSR	011	010	020		Borgdopmoer	M10 - RVS A2-70
2	5	BSR	023	010	055		Bolkopbout ISO 7380	M10 x 55 - RVS A2-70
3	5	KST	DOP	006	030		OPVULDOPJE	6 MM ROOD
4	10	KST	ROR	010	000		RING NYLON	M10 x 2.5 MM
5	1	OME	PNR	422	320		Spiegelplaat voor PE rand	Speelbuis
6	1	OPE	PNR	035			Achterkant schoolbord	Speelbuis
7	1	OPE	PNR	036			Rand schoolbord	Speelbuis



Benaming | Spiegel
 Title
 Opmerking | Speelbuis
 Comment
 Datum | 22-9-2011
 Date

Tekening
 Drawing

MOD PNR 549 000 A
 Samenstelling module Assembly module



Nr	#	Type	Progr.	Volgnr	Bew.	Rev.	Benaming	Opmerking
1	2	SMD	PNR	005	000		Submodule	EI 05
2	1	SME	PNR	361	320	B	Glijstangen	Speelbuis

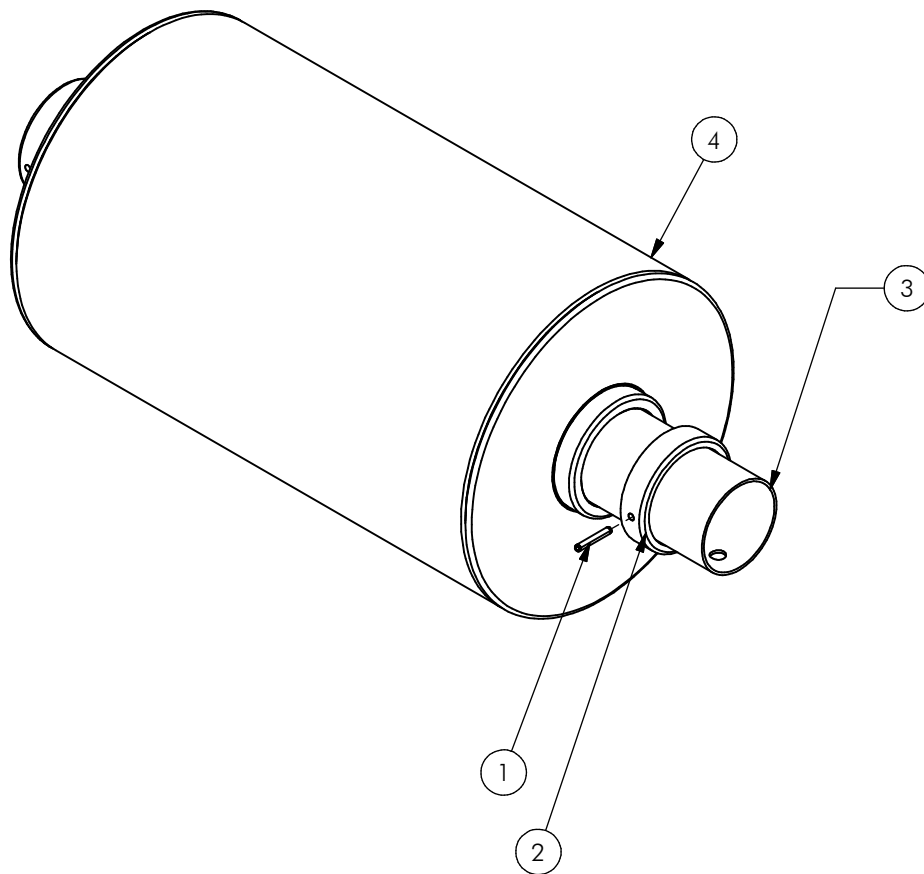


Benaming Title: Glijstangen
 Opmerking Comment: Speelbuis
 Datum Date: 28-11-2011

Tekening Drawing

MOD PNR 552 000

Samenstelling module Assembly module



4	1	SMD	PNR	033	000		Draaiton	Playchain
3	1	OME	PNR	378	320		draaitonbuis	Speelbuis
2	2	KST	PNR	031	POM	A	Borgring	Speelbuis
1	4	BSR	047	005	030		SPIRAALBUS	5 x 30
POS	N	TYPE	PROJ.	NR.	BEH.	R	BENAMING	OPMERKING



Benaming
Title Loopton

Opmerking
Comment Speelbuis

Datum
Date 20-8-2010

Tekening
Drawing

MOD PNR 554 000

Samenstelling module Assembly module