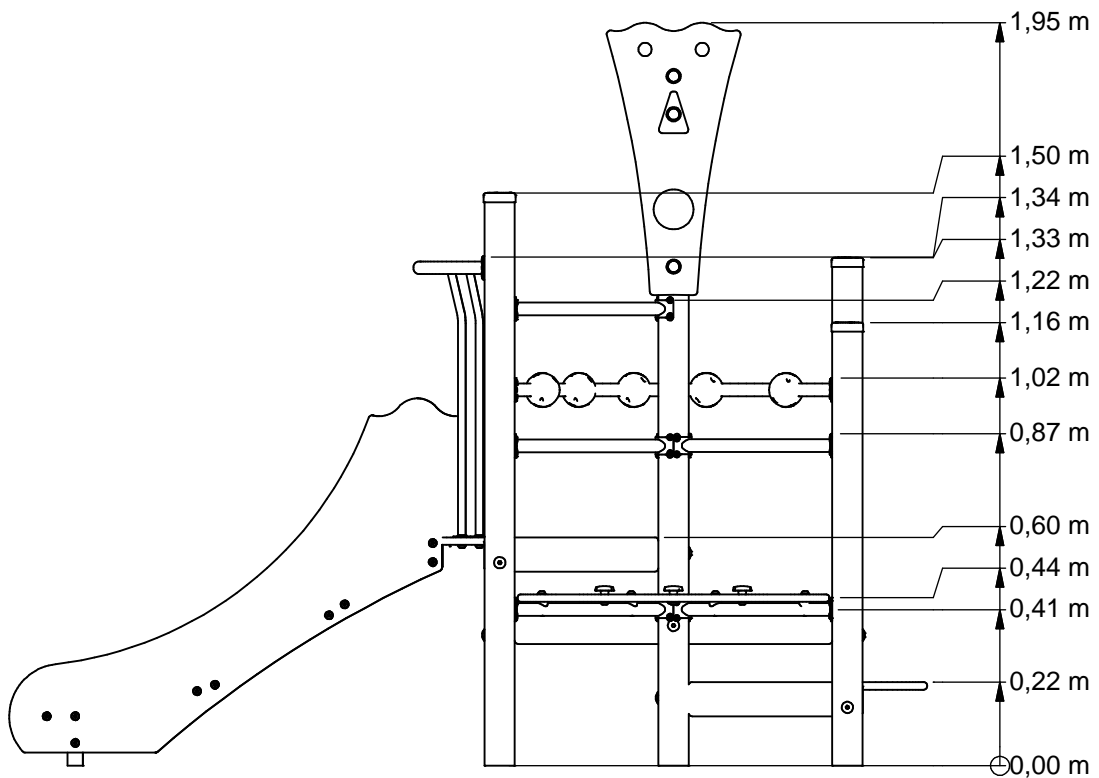
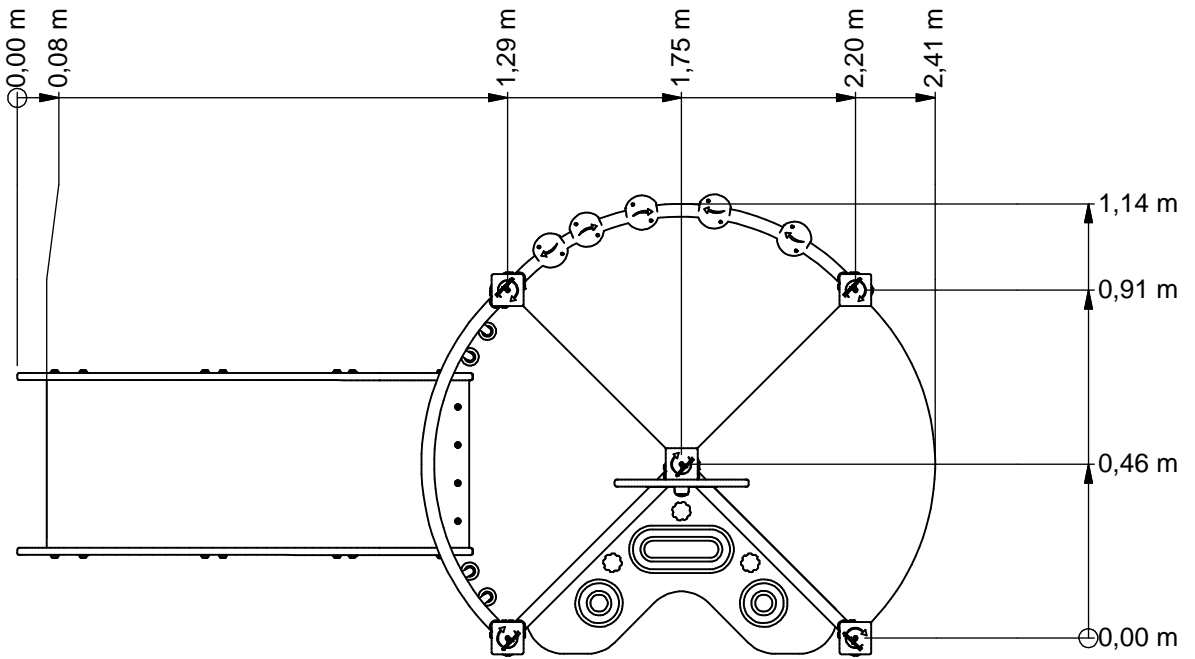




Combination equipment



UKPE034.09H



Benaming
Title Ukkepek

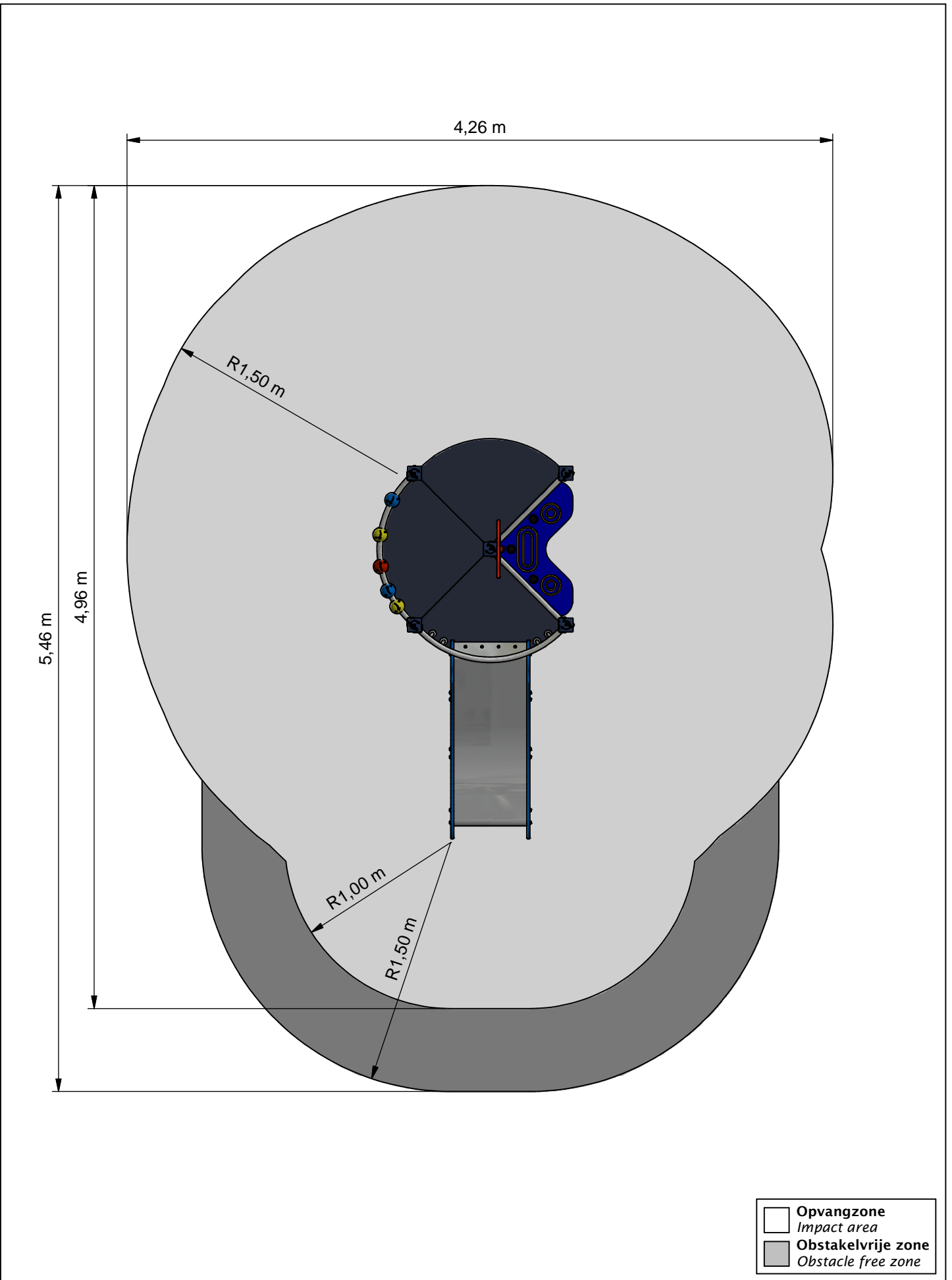
Opmerking
Comment Hardhout

Datum
Date 31-3-2014

Tekening
Drawing

TOE UKP 034 09H A

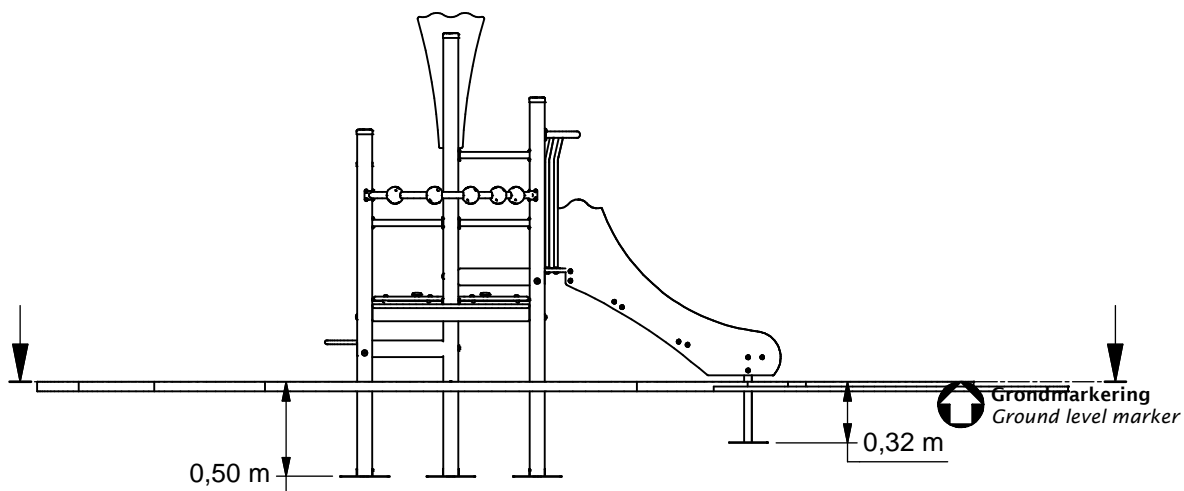
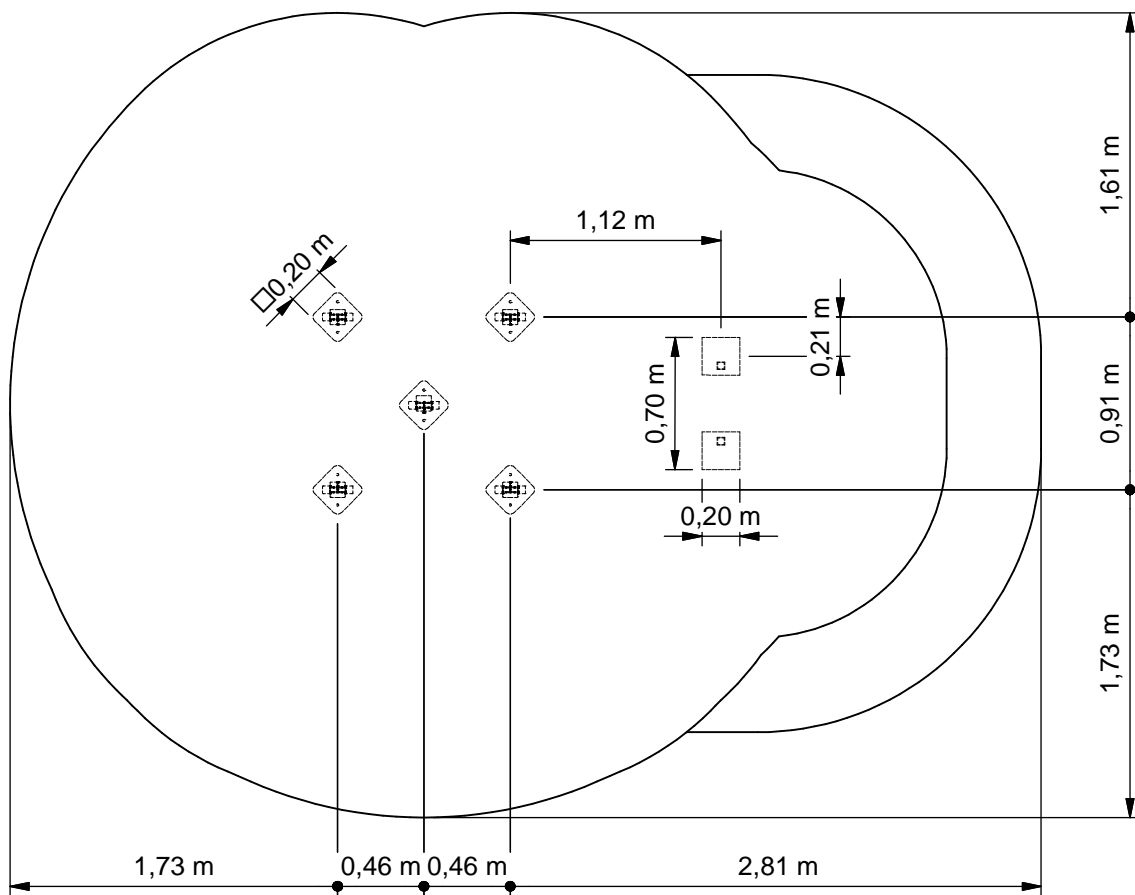
Afmetingen Dimensions



Benaming / Title: Ukkepek
 Opmerking / Comment: Hardhout
 Datum / Date: 31-3-2014

Tekening / Drawing

TOE UKP 034 09H A
 Obstakelvrije zone / Obstacle free zone

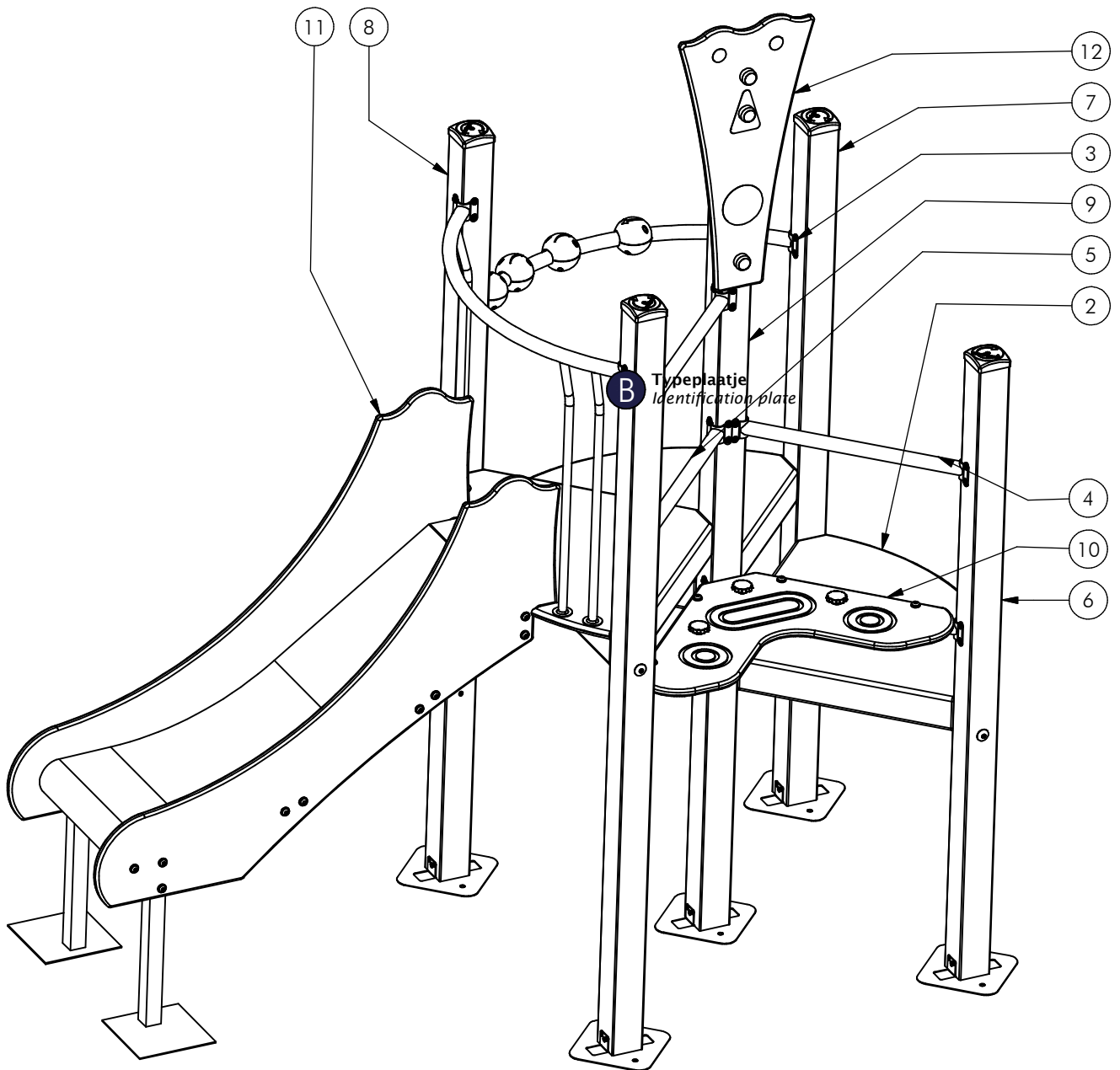


Benaming / Title: Ukkepek
 Opmerking / Comment: Hardhout
 Datum / Date: 31-3-2014

Tekening / Drawing

TOE UKP 034 09H A

Bodemplan Groundplan



Nr	#	Type	Progr.	Volgnr	Bew.	Rev.	Benaming	Opmerking
2	3	MOD	UKP	HHT	102		VLOER KWARTTROND	UKKEPUK
3	1	MOD	UKP	HHT	129		Telbollenbuis kwartrond	UKKEPUK
4	1	MOD	UKP	HHT	130		SYSTEEMBUIS	UKKEPUK
5	1	MOD	UKP	HHT	131		SYSTEEMBUIS DUBBEL	UKKEPUK
6	1	MOD	UKP	HHT	141		STAANDER VLOER 220MM	UKKEPUK
7	1	MOD	UKP	HHT	142		STAANDER VLOER 410MM	UKKEPUK
8	2	MOD	UKP	HHT	143		STAANDER VLOER 600MM	UKKEPUK
9	1	MOD	UKP	HHT	145		STAANDER VLOER 930MM	UKKEPUK
10	1	MOD	UKP	HHT	158	B	Fornuis	Ukkepek
11	1	MOD	UKP	HHT	175	A	Diagonaalgljbaan	Ukkepek
12	1	MOD	UKP	HHT	224		Plaat kop	Ukkepek



Benaming Title Ukkepek
 Opmerking Comment Hardhout
 Datum Date 31-3-2014

Tekening Drawing

TOE UKP 034 09H A

Modules Modules

UKPE034.09H

Combination equipment

LOGBOOK

(Onderstaand logboek kan gebruikt worden om te voldoen aan de eisen, gesteld in artikel 14 van het Warenwetbesluit Attractie- en Speeltoestellen)

Type indication	Toddler Play
Product code	UKPE034.09H
Name of equipment	Ukkepuk Klimklautertoestel
Maximum height of fall	0,6 m
Year of construction	2017
Certificate	09200116218
inspection authority	Liftinstituut B.V. Buikslotermeerplein 381, A'dam - 1025 XE Amsterdam
Name manufacturer	BOERplay Hyacintstraat 2 - 4255 HX Nieuwendijk Phone: +31 (0)183 40 23 66 Fax: +31 (0)183 40 35 64
name installer	_____ _____
Description of equipment	Combination equipment
Location of equipment	_____
Data about the owner of the play equipment	
Name:	_____
Address:	_____
Postcode and town:	_____
Contact person:	_____
Telephone number:	_____
Data about the administrator of the play equipment	
Name:	_____
Address:	_____
Postcode and town:	_____
Contact person:	_____
Telephone number:	_____

LOGBOOK

Inspection and maintenance intervals



Nr.	Inspection	Maintenance	months between inspections
1	Verify equipment's stability, junctions and missing parts. Inspect bolts, screws and nuts for absence, jams, corrosion and wear.	Add missing parts, secure joints, apply missing fixing agent and replace corroded parts.	1
2	Check suspension for wear.	Replace worn parts and/or remove non-functioning parts.	1
3	Inspect rotating parts such as hinges, rolling-element bearings, etc. for wear and acceptability.	Replace worn parts and/or remove non-functioning parts.	1
4	Check wood for splinters, unacceptable damage and signs of rot. Especially at ground level.	Repair damage. Replace affected wood. Smoothen splintered wood and sharp edges.	1
5	Inspect foundation for stability, tearing and coverage.	Restore foundation and covering material.	3
6	Examine rubber and synthetic parts for wear, damage and break.	Replace original parts.	3
7	Inspect metal for corrosion and damage in the coating.	Restore any damaged coating (after removing rust and applying primer).	6
8	Check ropes, cables, chains and nets for wear and damage. Steel cables and nets which are tensioned must be checked for tension.	Replace parts where necessary. Steel cables and nets must be tensioned.	3
9	Inspect equipment for unsafe changes and additions.	Remove unsafe additions and correct unsafe changes.	1
10	Inspect safety surfaces.	Restore and repair where necessary.	1

Remarks

1. If used intensively, all points require extra attention.
2. Extreme weather conditions and locations may require a higher inspection frequency. Discuss this with the supplier.
3. Vandalism-sensitive locations require stricter inspections, possibly daily.
4. Check the terrain regularly for items that do not belong there, are unsafe or may be used wrongly. Examples are poisonous plants, glass shards, etc. Frequency depends on strain.
5. Remember that bad maintenance leads to unsafe conditions and notably faster impoverishment of the playground area.
6. Replacement parts can be ordered at the manufacturer with the part numbers on the module drawing. Drawings can be found in de user guide.
7. The impact area shall be provided with impact attenuating surface according to the specified falling height.
8. This list is conform the CEN-standard "playground equipment and surfacing NEN-EN 1176-7".

TYPE-EXAMINATION CERTIFICATE

Acting under the " Warenwetbesluit Attractie- en Speeltoestellen" issued by Liftinstituut B.V.
commissioned by departmental order, no. VGP/PSL 2857566 from 27 Juni 2008.

Certificate nr. : NL 09-2001-162-18 Revision nr.: 200116218

Description of the product : Playground equipment, Ukkepek

Trademark, type : Speelwijzer, UKP.....

Name and address of the manufacturer : Speelwijzer
Nijverheidsstraat 8
5317 NL Nederhemert Noord

Name and address of the certificate holder : Speelwijzer
Nijverheidsstraat 8
5317 NL Nederhemert Noord

Certificate issued on the basis of the following requirements : Warenwetbesluit Attractie- en Speeltoestellen

Test laboratory : None

Date and number of the laboratory report : None

Date of type-examination : 01-09-2001 t/m 03-09-2001, 21-02-2009

Annexes with this certificate : Report belonging to the type-examination certificate nr.: NL 09-2001-162-18

Additional remarks : This certificate supersedes type certificate dated April 27th 2005, with certificate number NL 09-2001-162-18

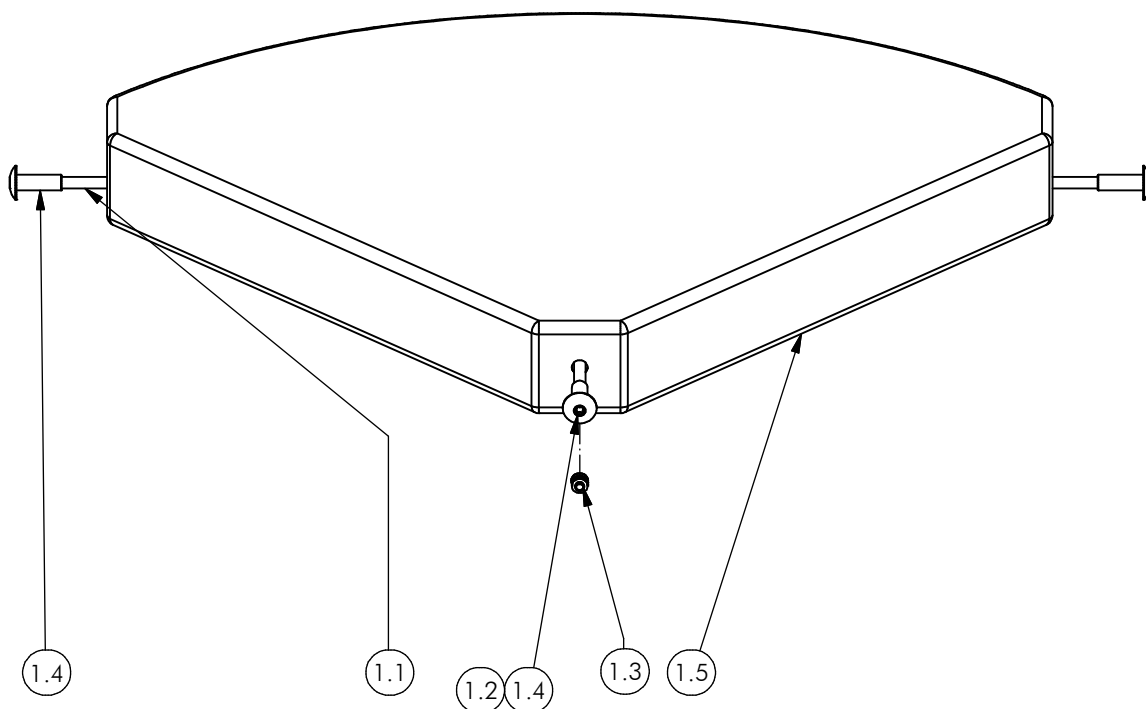
Conclusion : The playground equipment meets the requirements of the above specified European standard(s) and "Warenwetbesluit Attractie- en Speeltoestellen" taking into account any additional remarks mentioned above.

Issued in Amsterdam

Date of issue : April 7th, 2009



Ir. V.M.A. Barendregt
Senior Officer Certification &
Technology
Liftinstituut B.V.



1.5	1	SHO	UKP	102	COA	B	Vloer kwartrond	Ukkepek
1.4	3	RNT	BUS	M10	040		DRAADBUS	M10 x 40
1.3	3	KST	LAM	015	005		LAMELLENSTOP	ROND 15
1.2	3	BSR	030	010	002		SLUITRING	M10
1.1	3	BSR	021	010	090		ZESKANTBOUT	M10 x 90
1	1	SMD	UKP	HHT	102		VLOER KWARTTROND	UKKEPUK
POS	N	TYPE	PROJ.	NR.	BEH.	R	BENAMING	OPMERKING



Benaming
Title VLOER KWARTTROND

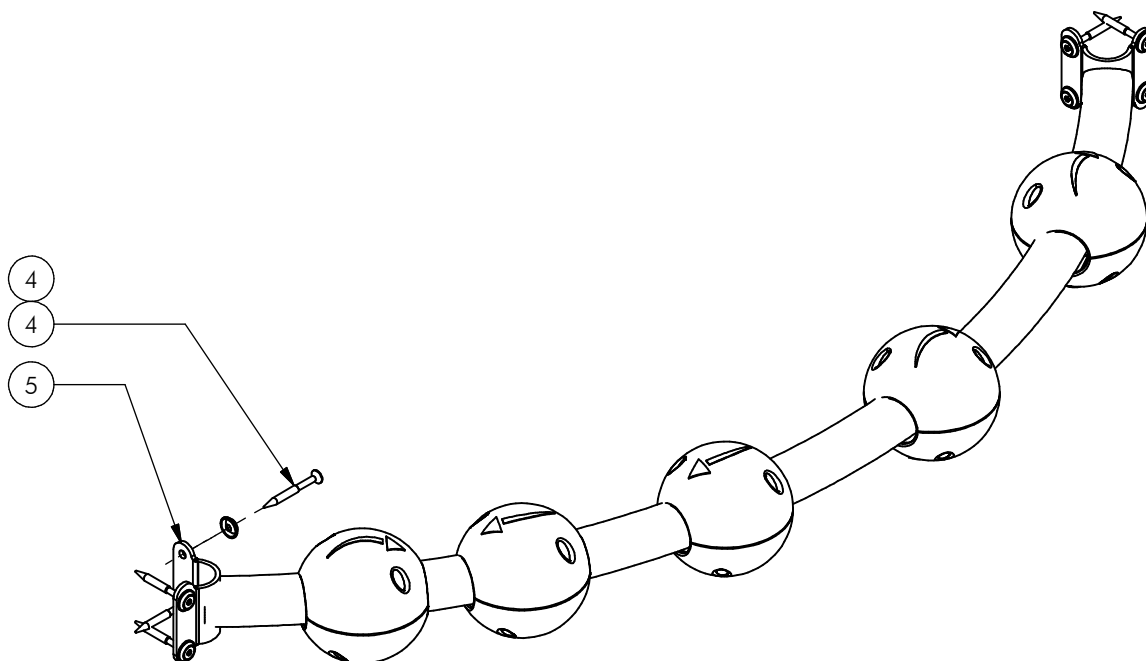
Opmerking
Comment UKKEPUK

Datum
Date 15-5-2007

Tekening
Drawing

MOD UKP HHT 102

Samenstelling module Assembly module



9	20	BSR	005	004	019	Zelfborende PIAS schoef	3,5 x 19	
8	4	KST	BOL	036	050	Telbol helft	Blauw	
7	4	KST	BOL	036	010	Telbol helft	Geel	
6	2	KST	BOL	036	030	Telbol helft	Rood	
5	1	SME	UKP	538	320	BUIS KWARTTROND	UKKEPUK	
4	2	SMD	UKP	HHT	105	BEVESTIGING VLINDER	UKKEPUK HHT	
POS	N	TYPE	PROJ.	NR.	BEH.	R	BENAMING	OPMERKING



Benaming
Title: Telbollenbuis kwartrond

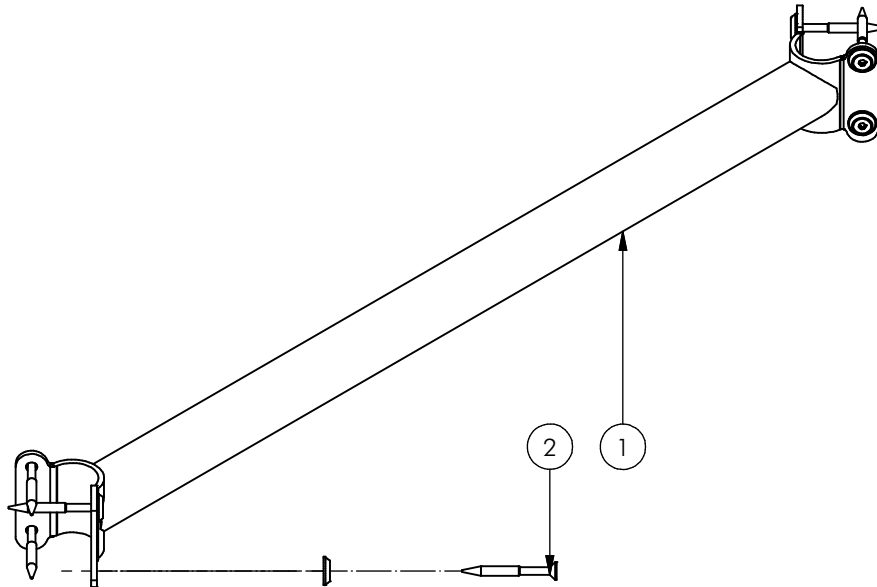
Opmerking
Comment: UKKEPUK

Datum
Date: 20-7-2007

Tekening
Drawing

MOD UKP HHT 129

Samenstelling module *Assembly module*



2	2	SMD	UKP	HHT	105		BEVESTIGING VLINDER	UKKEPUK HHT
1	1	SME	UKP	500	320	A	SYSTEEMBUIS	UKKEPUK
POS	N	TYPE	PROJ.	NR.	BEH.	R	BENAMING	OPMERKING



Benaming
Title SYSTEEMBUIS

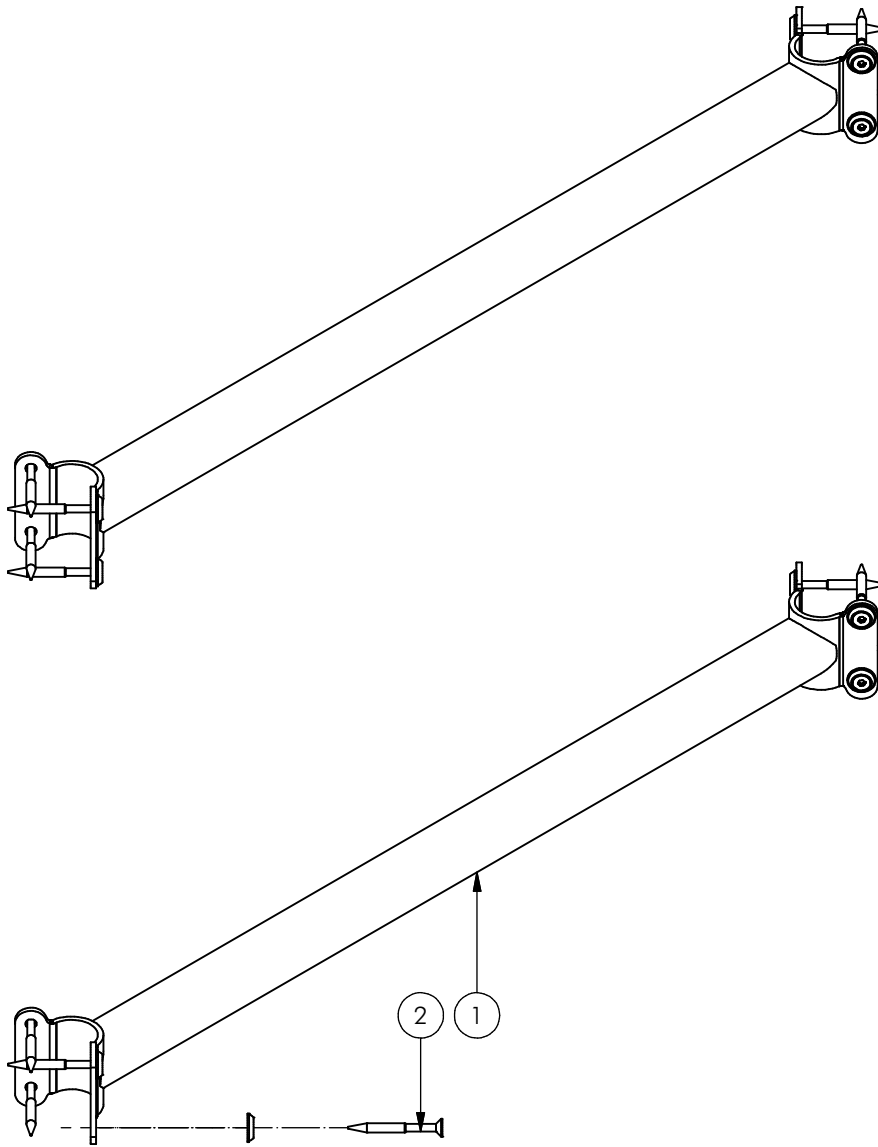
Opmerking
Comment UKKEPUK

Datum
Date 19-1-2007

Tekening
Drawing

MOD UKP HHT 130

Samenstelling module *Assembly module*



2	4	SMD	UKP	HHT	105		BEVESTIGING VLINDER	UKKEPUK HHT
1	2	SME	UKP	500	320	A	SYSTEEMBUIS	UKKEPUK
POS	N	TYPE	PROJ.	NR.	BEH.	R	BENAMING	OPMERKING



Benaming
Title SYSTEEMBUIS DUBBEL

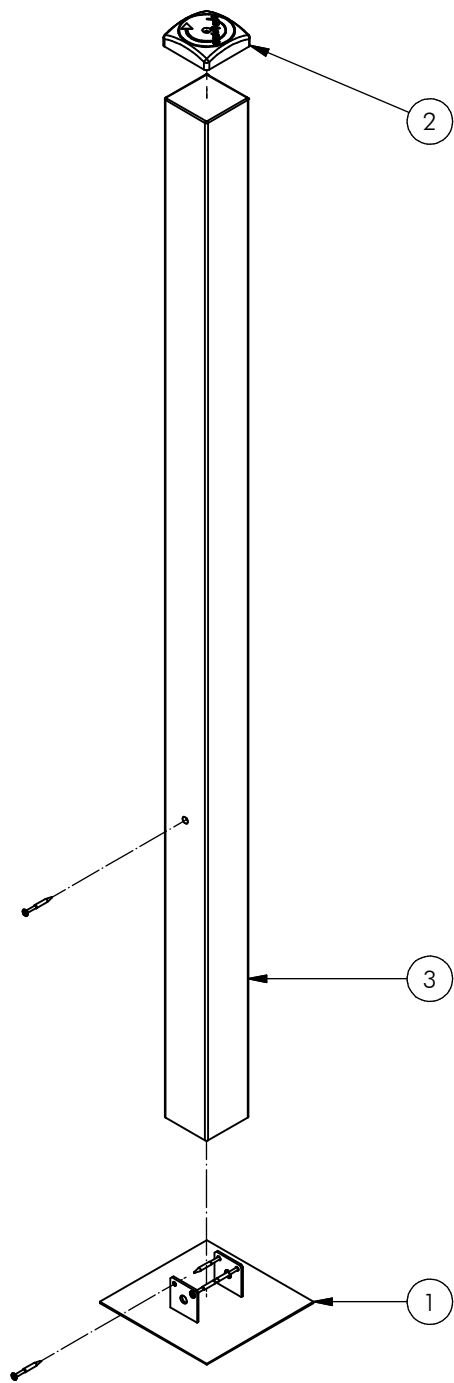
Opmerking
Comment UKKEPUK

Datum
Date 19-1-2007

Tekening
Drawing

MOD UKP HHT 131

Samenstelling module *Assembly module*



3	1	OHO	080	010	HHT		Stander hardhout	80x80, lengte=1650
2	1	SMD	UKP	HHT	104		PAALKAP	UKKEPUK
1	1	SMD	UKP	HHT	103		ANKER PLAAT	UKKEPUK
POS	N	TYPE	PROJ.	NR.	BEH.	R	BENAMING	OPMERKING



Benaming
Title | STAANDER VLOER 220MM

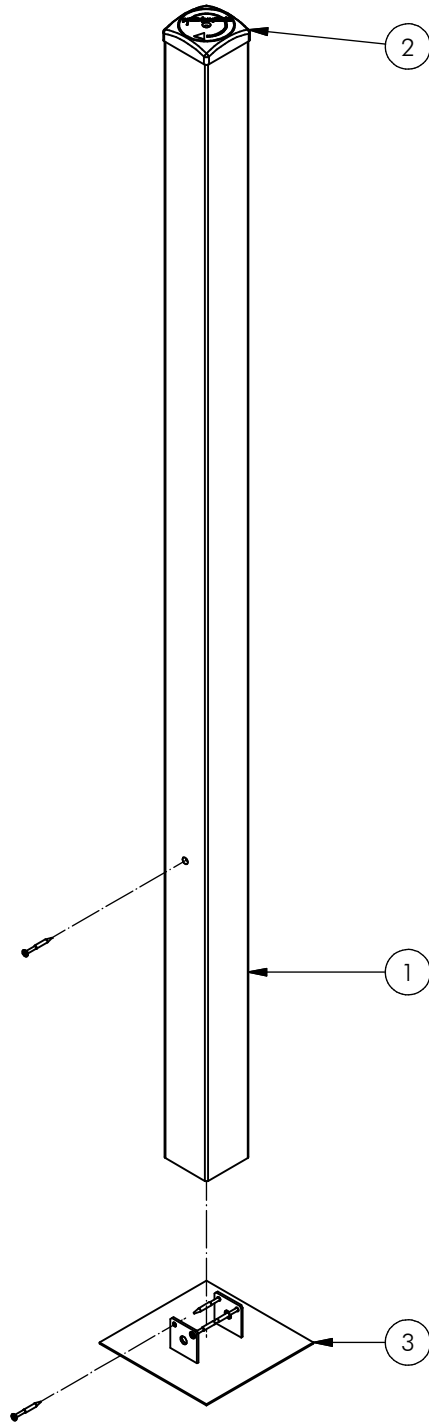
Opmerking
Comment | UKKEPUK

Datum
Date | 22-1-2007

Tekening
Drawing

MOD UKP HHT 141

Samenstelling module *Assembly module*



POS	N	TYPE	PROJ.	NR.	BEH.	R	BENAMING	OPMERKING
1	1	OHO	080	011	HHT		Staander HHT	80x80, lengte=1820
2	1	SMD	UKP	HHT	104		PAALKAP	UKKEPUK
3	1	SMD	UKP	HHT	103		ANKER PLAAT	UKKEPUK



Benaming
Title STAANDER VLOER 410MM

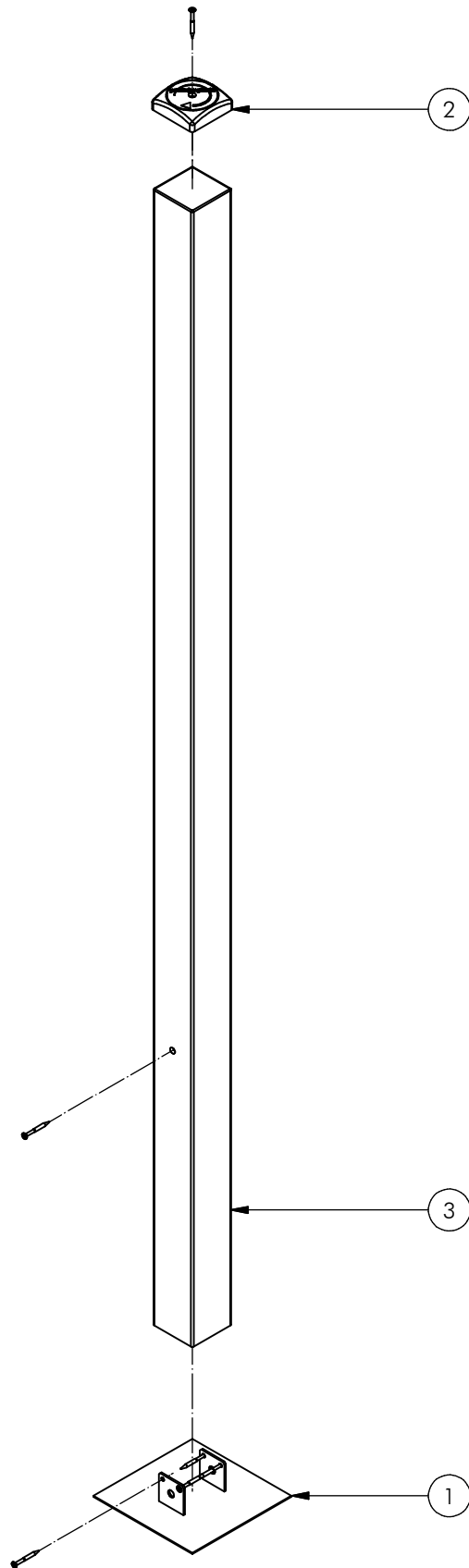
Opmerking
Comment UKKEPUK

Datum
Date 22-1-2007

Tekening
Drawing

MOD UKP HHT 142

Samenstelling module *Assembly module*



3	1	OHO	080	012	HHT		Staander HHT	80x80, lengte=1990
2	1	SMD	UKP	HHT	104		PAALKAP	UKKEPUK
1	1	SMD	UKP	HHT	103		ANKER PLAAT	UKKEPUK
POS	N	TYPE	PROJ.	NR.	BEH.	R	BENAMING	OPMERKING



Benaming
Title STAANDER VLOER 600MM

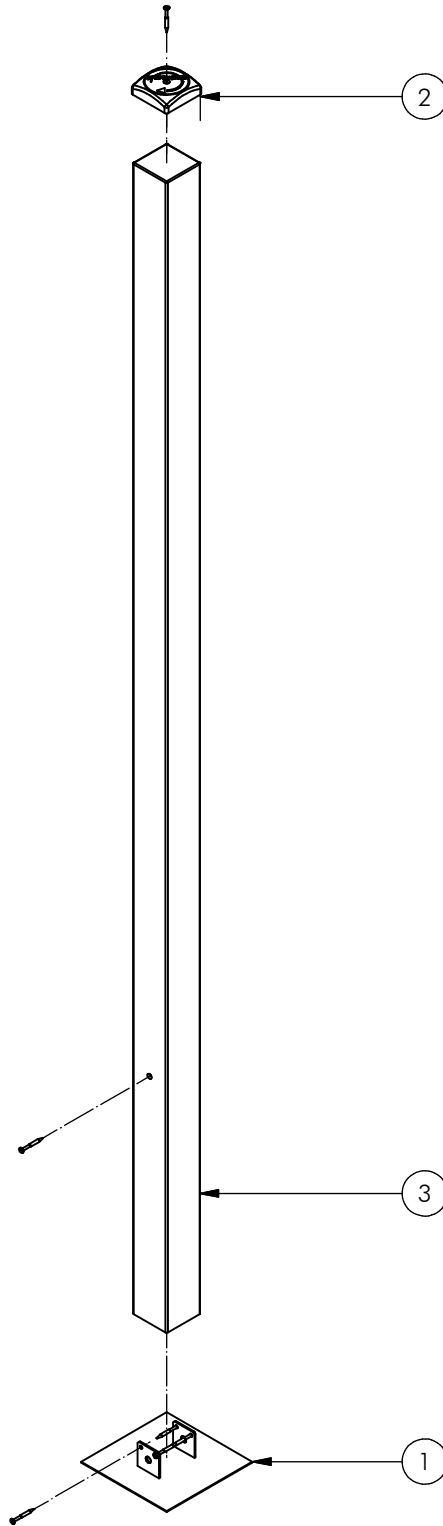
Opmerking
Comment UKKEPUK

Datum
Date 22-1-2007

Tekening
Drawing

MOD UKP HHT 143

Samenstelling module *Assembly module*



3	1	OHO	080	014	HHT		Staander HHT	80x80, lengte=2330
2	1	SMD	UKP	HHT	104		PAALKAP	UKKEPUK
1	1	SMD	UKP	HHT	103		ANKER PLAAT	UKKEPUK
POS	N	TYPE	PROJ.	NR.	BEH.	R	BENAMING	OPMERKING



Benaming
Title

Opmerking
Comment

Datum
Date

STAANDER VLOER 930MM

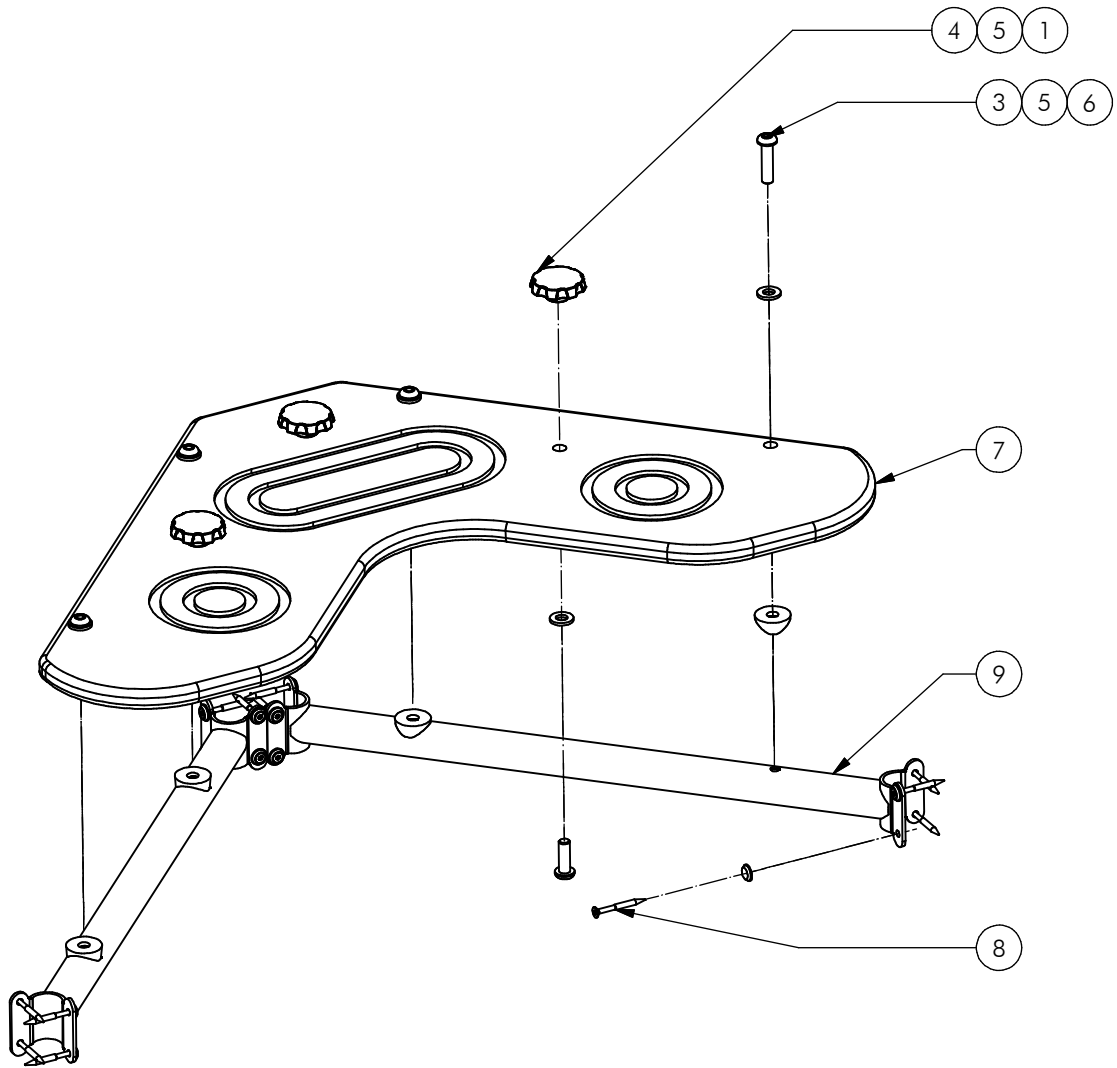
UKKEPUK

22-1-2007

Tekening
Drawing

MOD UKP HHT 145

Samenstelling module Assembly module



Nr	#	Type	Progr.	Volgnr	Bew.	Rev.	Benaming	Opmerking
1	3	BSR	023	010	030		Bolkopbout ISO 7380	M10 x 30 - RVS A2-70
2	4	BSR	023	010	040		Bolkopbout ISO 7380	M10 x 40 - RVS A2-70
3	7	KST	DOP	006	030		OPVULDOPJE	6 MM ROOD
4	3	KST	KNP	020	ZWT		Sterknop	Kunststof
5	7	KST	ROR	010	000		RING NYLON	M10 x 2.5 MM
6	4	KST	T33	010	000		ZADELRING	BUIS 33.7
7	1	OPE	UKP	031	051	C	Fornuis	Ukkepek
8	4	SMD	UKP	HHT	105		BEVESTIGING VLINDER	UKKEPUK HHT
9	2	SME	UKP	504	320	A	SYSTEEMBUIS	UKKEPUK



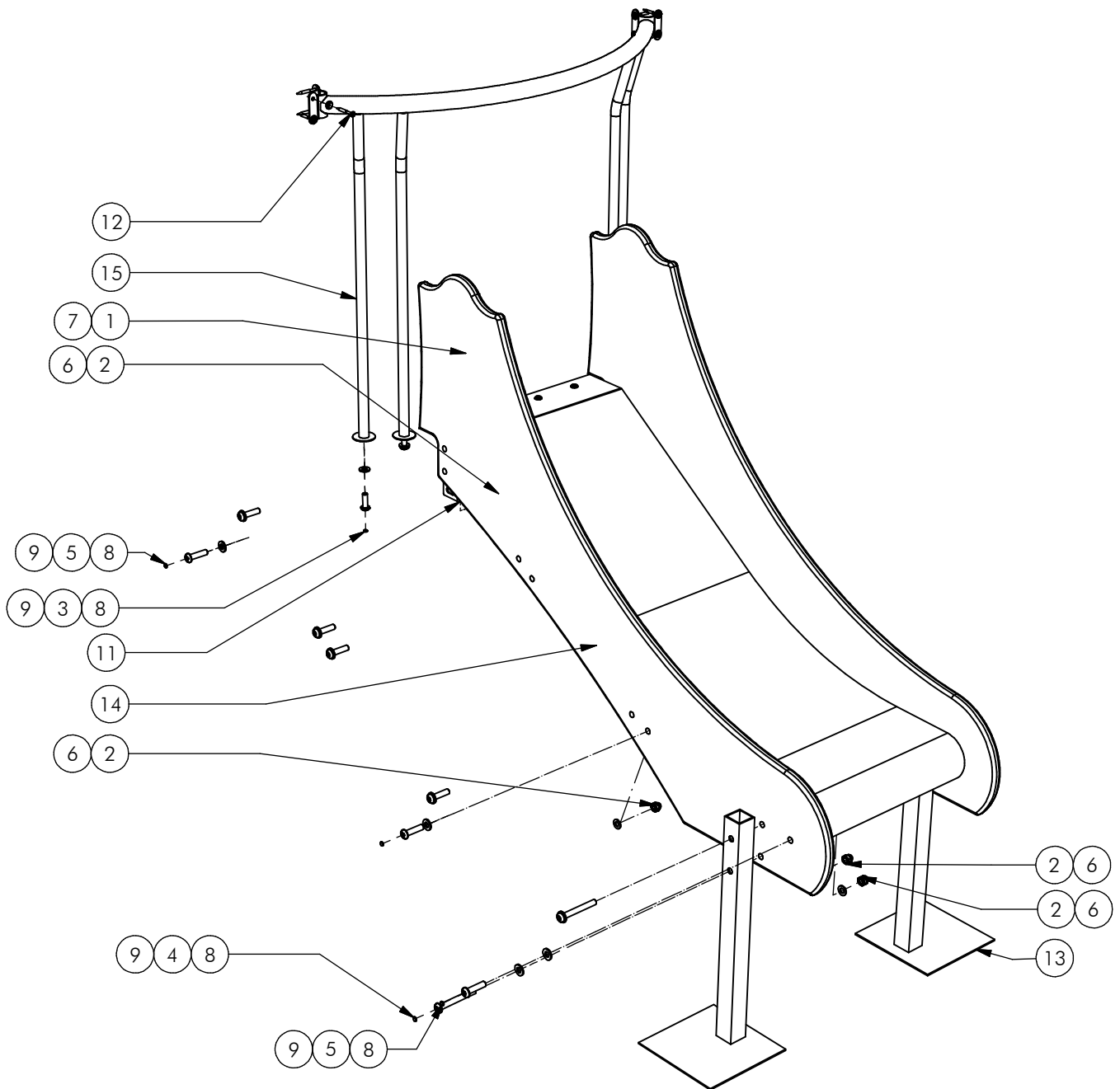
Benaming
Title: Fornuis

Opmerking
Comment: Ukkepek

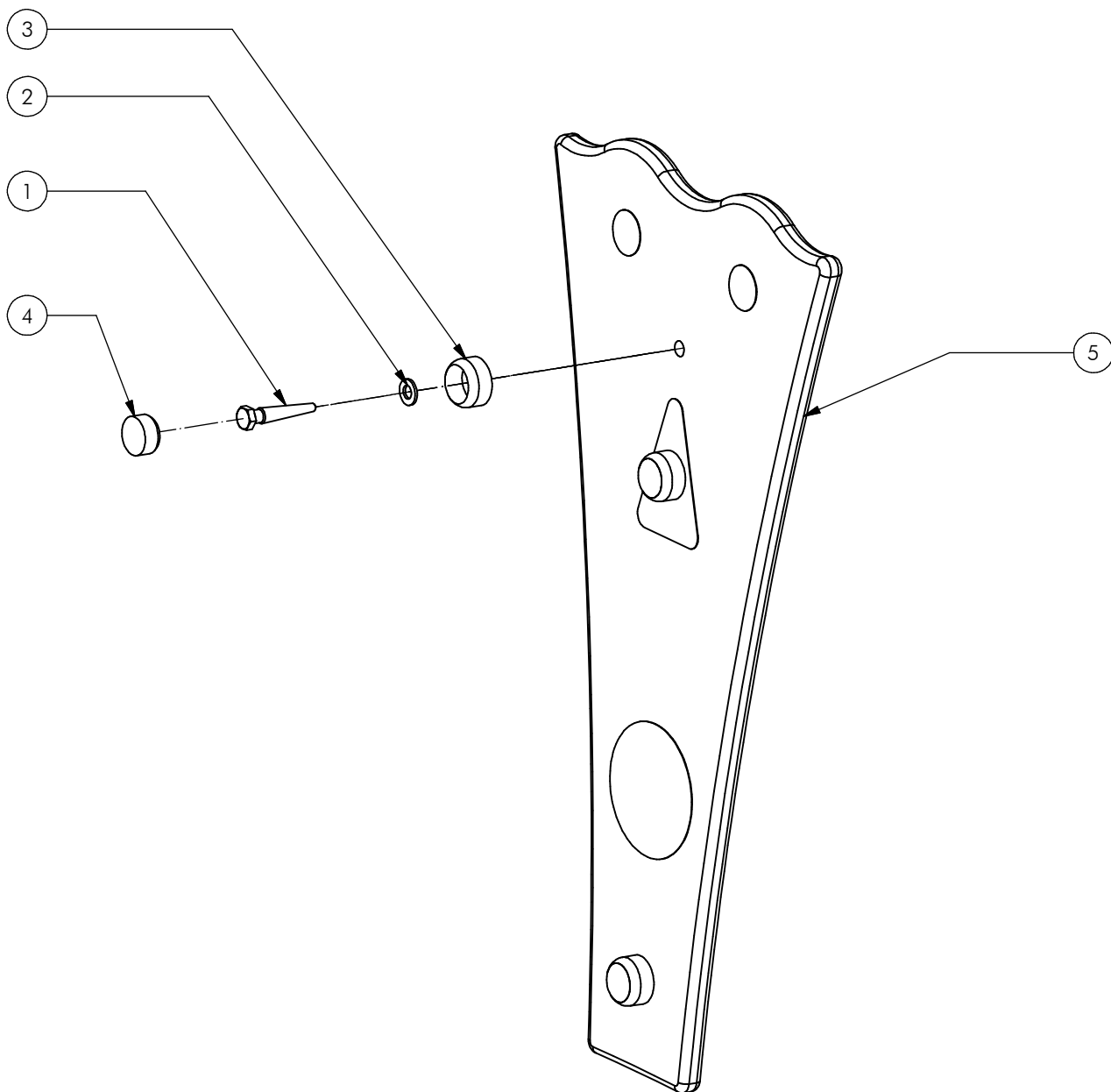
Datum
Date: 20-10-2015

Tekening
Drawing

MOD UKP HHT 158 B
 Samenstelling module *Assembly module*



15	1	SME	UKP	594	320		Valbeveiliging	Glijbaan 65 cm
14	1	SME	UKP	550	320	B	Glijbaan	Ukkepuk
13	2	SME	UKP	024	372	A	Steunpoot Glijbaan	Ukkepuk
12	2	SMD	UKP	HHT	105		BEVESTIGING VLINDER	UKKEPUK HHT
11	1	OME	UKP	591	304		Verstijving	Diagonaalglijbaan
10	2	OPE	UKP	030	050	B	Zijkant Glijbaan	Ukkepuk
9	22	KST	ROR	010	000		RING NYLON	M10 x 2.5 MM
8	22	KST	DOP	006	030		OPVULDOEPE	6 MM ROOD
7	4	BSR	036	005	015		Facet ring	M5 - RVS A2-70
6	18	BSR	030	010	002		SLUITRING	M10
5	14	BSR	023	010	040		Bolkopbout ISO 7380	M10 x 40 - RVS A2-70
4	4	BSR	023	010	080		Bolkopbout ISO 7380	M10 x 80 - RVS A2-70
3	4	BSR	023	010	030		Bolkopbout ISO 7380	M10 x 30 - RVS A2-70
2	18	BSR	011	010	020		DOPMOER	BORG RVS M10
1	4	BSR	002	005	030		Schroef Assy	5 x 30 - RVS A2-70
POS	N	TYPE	PROJ.	NR.	BEH.	R	BENAMING	OPMERKING



Nr.	#	Type	Progr.	Volgnr.	Bew.	Rev.	Benaming	Opmerking
1	3	BSR	022	010	060		Houtdraadbout	ø10 X 60 - RVS A2-70
2	3	BSR	030	010	002		SLUITRING	M10
3	3	KST	DON	010	030		Beschermkop M10-M12	Donut Rood
4	3	KST	DOP	010	030		Beschermkop M10-M12	Dop rood
5	1	OPE	UKP	032	030	B	Schommelkop Oh	Ukkepuk



Benaming
Title: Plaat kop

Opmerking
Comment: Ukkepuk

Datum
Date: 31-8-2017

Tekening
Drawing

MOD UKP HHT 224

Samenstelling module *Assembly module*