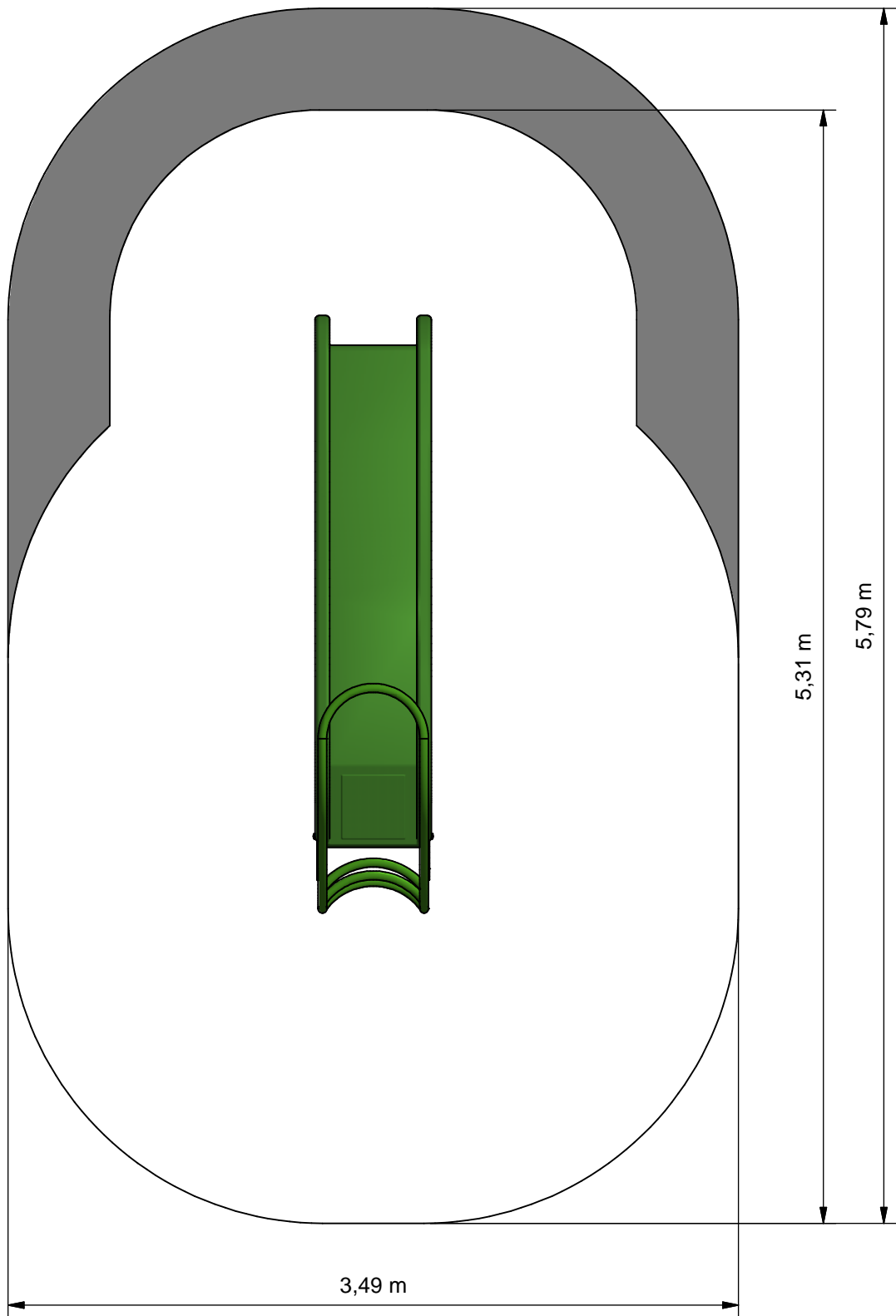


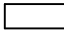



Slide



FRPE511.001



	Valruimte
	Obstakelvrije ruimte

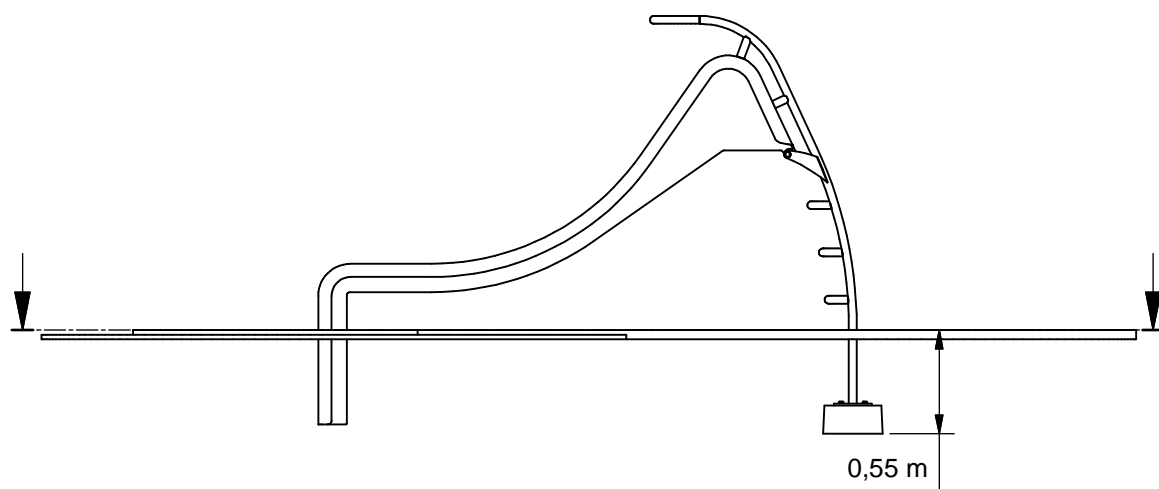
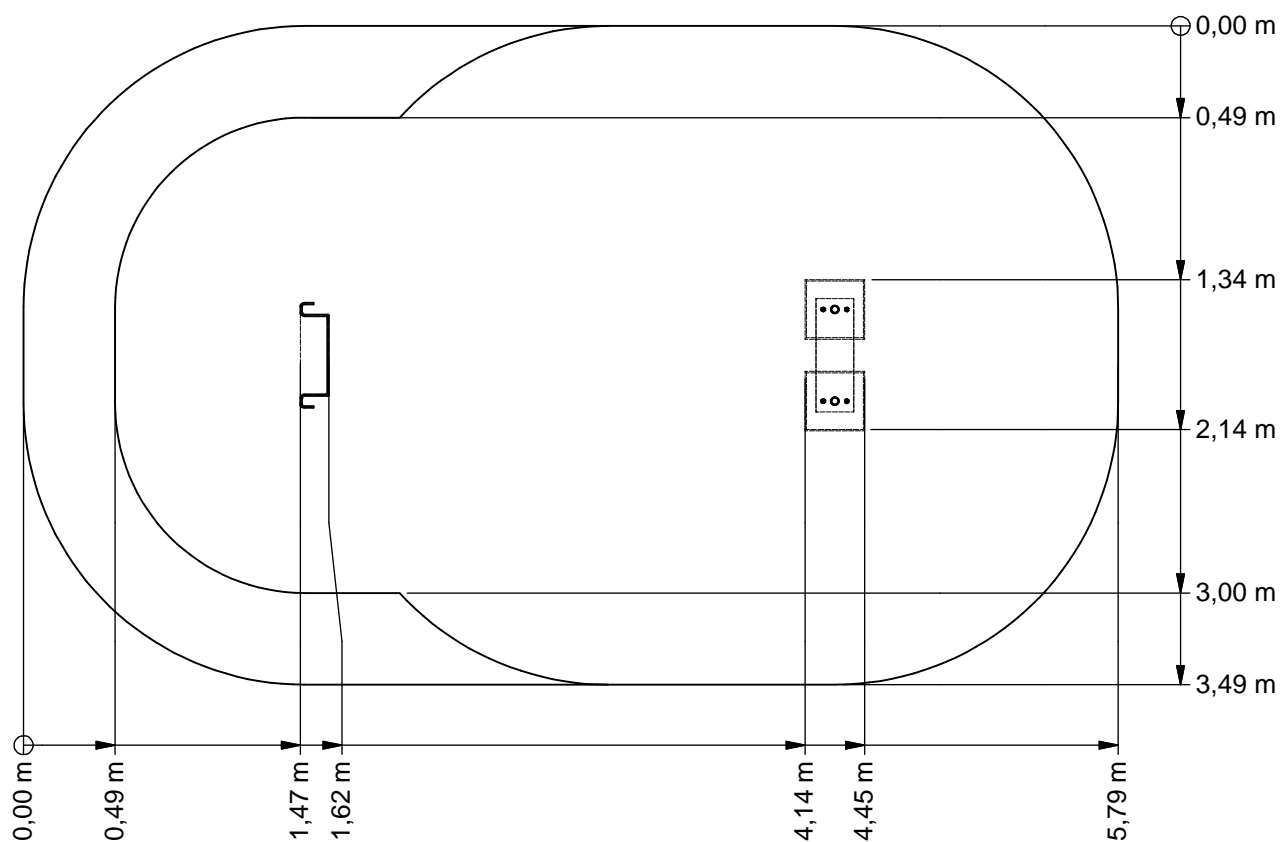


Benaming Title	Free Play
Opmerking Comment	Glijbaan
Datum Date	18-8-2011

Tekening
Drawing

TOE FRP 511 001

Obstakelvrije Ruimte *Obstacle free zone*



Benaming
Title Free Play

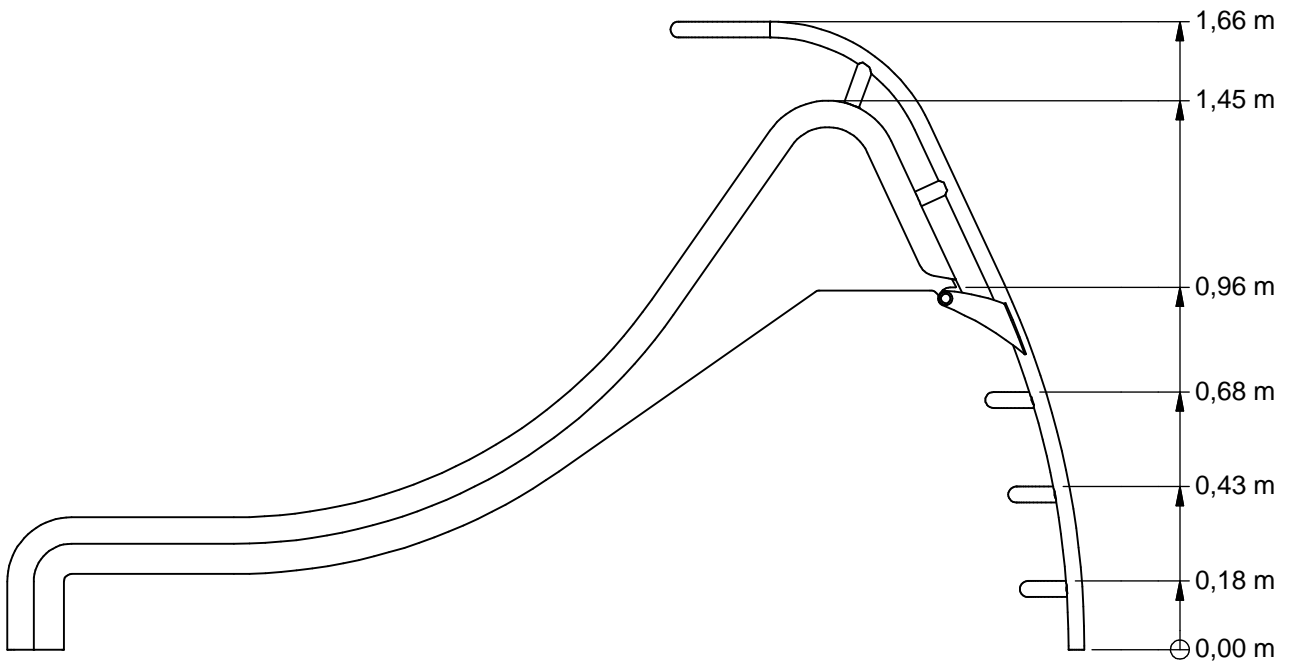
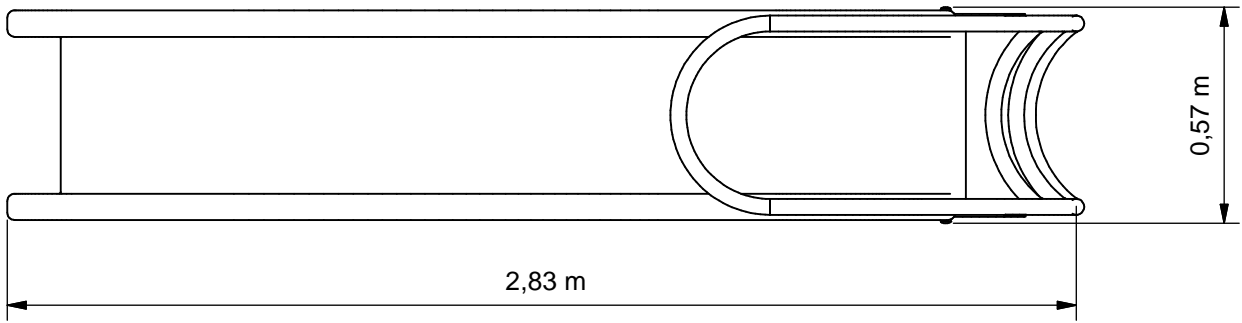
Opmerking
Comment Glijbaan

Datum
Date 18-8-2011

Tekening
Drawing

TOE FRP 511 001

Bodemplan *Groundplan*



Benaming
Title Free Play

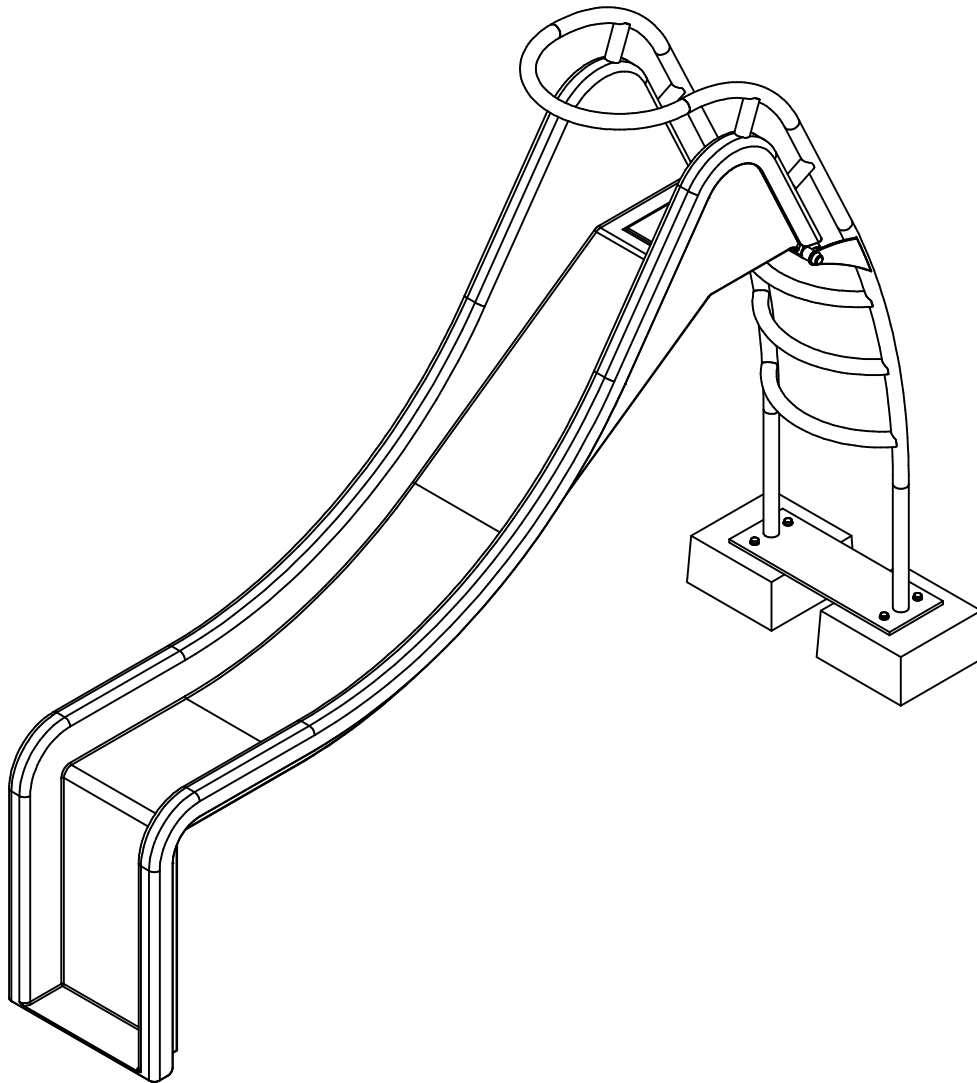
Opmerking
Comment Glijbaan

Datum
Date 18-8-2011

Tekening
Drawing

TOE FRP 511 001

Afmetingen Dimensions



1	1	MOD	FRP	371	019		Glijbaan	Compleet
POS	N	TYPE	PROJ	NR.	BEH.	R	BENAMING	OPMERKING



Benaming
Title | Free Play

Opmerking
Comment | Glijbaan

Datum
Date | 18-8-2011

Tekening
Drawing

TOE FRP 511 001

Modules Modules

FRPE511.001

Slide

LOGBOOK

(Onderstaand logboek kan gebruikt worden om te voldoen aan de eisen, gesteld in artikel 14 van het Warenwetbesluit Attractie- en Speeltoestellen)

Type indication	Free Play
Product code	FRPE511.001
Name of equipment	Glijbaan
Maximum height of fall	1,0 m
Year of construction	2017
Certificate	136915
inspection authority	Keurmerkinstituut Groeneweg 2e, Zoetermeer - 2718AA Zoetermeer
Name manufacturer	BOERplay Hyacintstraat 2 - 4255 HX Nieuwendijk Phone: +31 (0)183 40 23 66 Fax: +31 (0)183 40 35 64
name installer	_____ _____
Description of equipment	Slide
Location of equipment	_____
Data about the owner of the play equipment	
Name:	_____
Address:	_____
Postcode and town:	_____
Contact person:	_____
Telephone number:	_____
Data about the administrator of the play equipment	
Name:	_____
Address:	_____
Postcode and town:	_____
Contact person:	_____
Telephone number:	_____

LOGBOOK

Inspection and maintenance intervals



Nr.	Inspection	Maintenance	months between inspections
1	Verify equipment's stability, junctions and missing parts. Inspect bolts, screws and nuts for absence, jams, corrosion and wear.	Add missing parts, secure joints, apply missing fixing agent and replace corroded parts.	1
2	Check suspension for wear.	Replace worn parts and/or remove non-functioning parts.	1
3	Inspect rotating parts such as hinges, rolling-element bearings, etc. for wear and acceptability.	Replace worn parts and/or remove non-functioning parts.	1
4	Check wood for splinters, unacceptable damage and signs of rot. Especially at ground level.	Repair damage. Replace affected wood. Smoothen splintered wood and sharp edges.	1
5	Inspect foundation for stability, tearing and coverage.	Restore foundation and covering material.	3
6	Examine rubber and synthetic parts for wear, damage and break.	Replace original parts.	3
7	Inspect metal for corrosion and damage in the coating.	Restore any damaged coating (after removing rust and applying primer).	6
8	Check ropes, cables, chains and nets for wear and damage. Steel cables and nets which are tensioned must be checked for tension.	Replace parts where necessary. Steel cables and nets must be tensioned.	3
9	Inspect equipment for unsafe changes and additions.	Remove unsafe additions and correct unsafe changes.	1
10	Inspect safety surfaces.	Restore and repair where necessary.	1

Remarks

1. If used intensively, all points require extra attention.
2. Extreme weather conditions and locations may require a higher inspection frequency. Discuss this with the supplier.
3. Vandalism-sensitive locations require stricter inspections, possibly daily.
4. Check the terrain regularly for items that do not belong there, are unsafe or may be used wrongly. Examples are poisonous plants, glass shards, etc. Frequency depends on strain.
5. Remember that bad maintenance leads to unsafe conditions and notably faster impoverishment of the playground area.
6. Replacement parts can be ordered at the manufacturer with the part numbers on the module drawing. Drawings can be found in de user guide.
7. The impact area shall be provided with impact attenuating surface according to the specified falling height.
8. This list is conform the CEN-standard "playground equipment and surfacing NEN-EN 1176-7".

Certificaat

KEURMERKINSTITUUT

Warenwetbesluit attractie- en speeltoestellen

Certificaat van goedkeuring afgegeven door Keurmerkinstituut (aangewezen bij ministeriële beschikking van 8 juni 2004, VGB/P&L 2478562).

Certificaat nr.: 131388

Dossier nr.: 8202 Serie / Enkel: S

Betreft: FRP.511.001

Aanduidingen: 37.1.511XXXXX

Eigenaar/houder: Boer speeltoestellen b.v.
Postbus 10
4255 ZG Nieuwendijk

Soort toestel: Vrijstaande glijbaan type 2 met een valhoogte van < 1000 mm

Fabrikant: Boer speeltoestellen b.v., Nieuwendijk

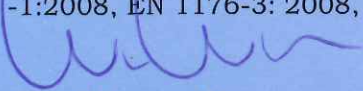
Jaar van fabricage: 2012

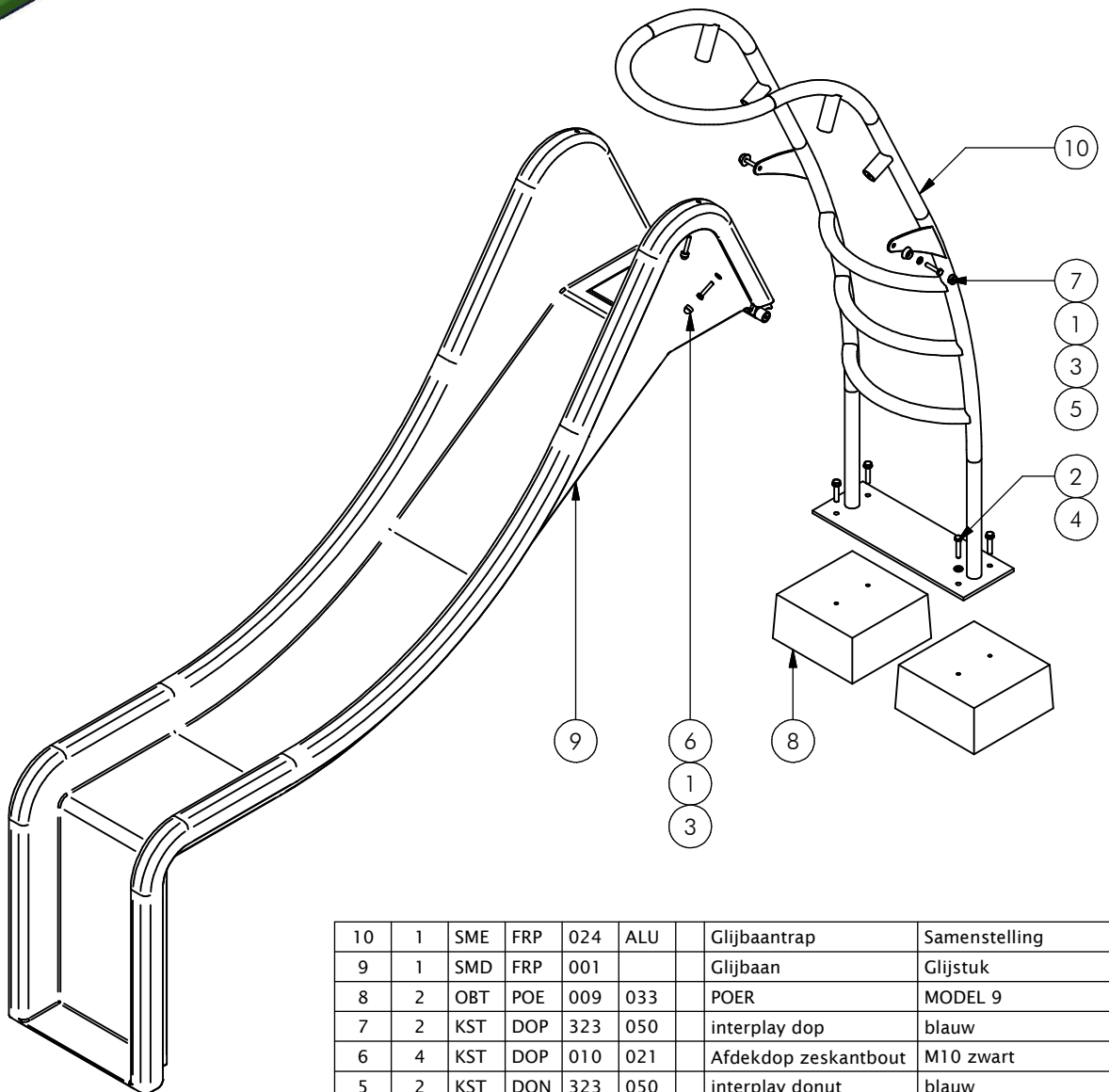
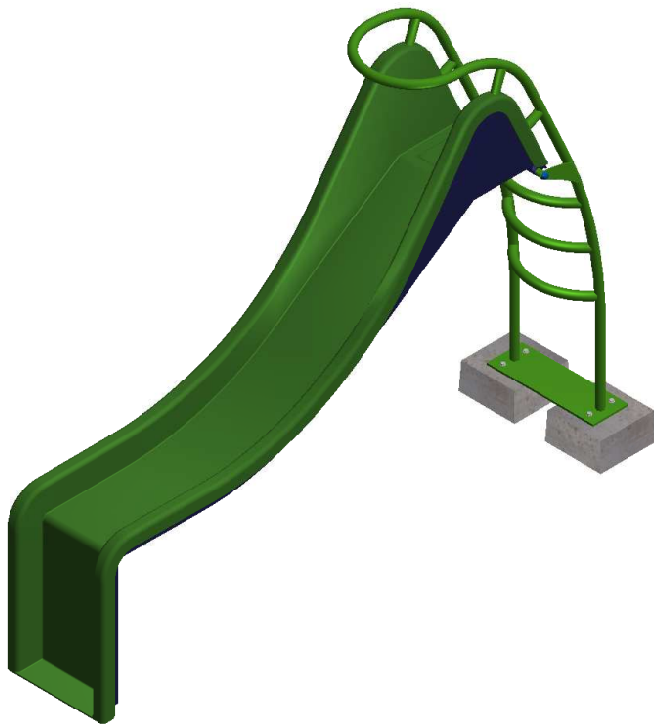
Leverancier: Boer speeltoestellen b.v., Nieuwendijk

Jaar van leverantie: 2012

Datum keuring: 7 mei 2012

Keurmerkinstituut, Groeneweg 2 te Zoetermeer, verklaart dat het bovenvermelde toestel voldoet aan de vervaardigingsvoorschriften genoemd in het Warenwetbesluit attractie- en speeltoestellen (Staatsblad 474, 27 september 1996). Beoordelingscriteria EN 1176 -1:2008, EN 1176-3: 2008, EN 1177:2008.


drs. W. van Weperen
directeur



10	1	SME	FRP	024	ALU		Glijbaantrap	Samenstelling
9	1	SMD	FRP	001			Glijbaan	Glijstuk
8	2	OBT	POE	009	033		POER	MODEL 9
7	2	KST	DOP	323	050		interplay dop	blauw
6	4	KST	DOP	010	021		Afdekdop zeskantbout	M10 zwart
5	2	KST	DON	323	050		interplay donut	blauw
4	4	BSV	030	012	003		SLUITRING	M12
3	6	BSV	030	010	002		SLUITRING	M10 VZ
2	4	BSV	021	012	60		Zeskantbout ISO 4014	M12 x 60
1	6	BSV	021	010	050		Zeskantbout	M10 x 50
POS	N	TYPE	PROJ	NR.	BEH.	R	BENAMING	OPMERKING



Benaming
Title | Glijbaan

Opmerking
Comment | Compleet

Datum
Date | 17-8-2011

Tekening
Drawing

MOD FRP 371 019

Samenstelling module Assembly module