



# Adventure Play

## PSTE115.004

Combination Equipment



# PSTE115.004

Combination Equipment



1+



4 - 12



8.5 x 5.8 x 3.6 m



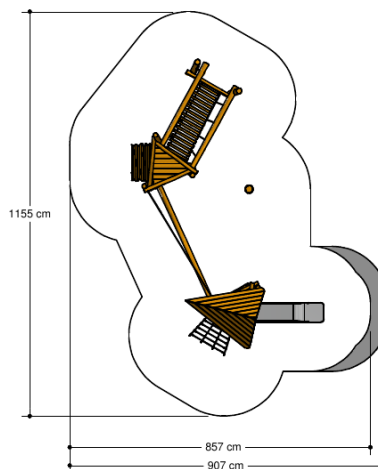
11.6 x 8.6 m



11.6 x 9.1 m



1.5 m



## Playfunctions

Balancing, sliding, climbing

## Material

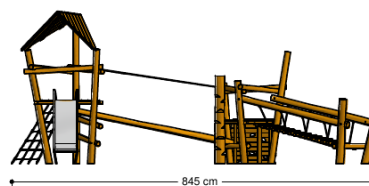
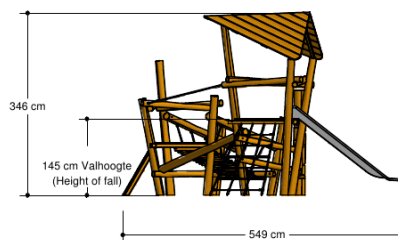
Made of irregularly shaped Acacia Robinia FSC certified wood. This European hardwood had a sustainability of class I according to EN 350 and is free of sapwood. The timber units are finished with stainless steel components 340 / K320-ground quality. Matching slides are stainless steel 304 quality polished stainless steel and all fastenings of a A2 quality. The rope constructions are made of vandal resistant 16 mm Hercules rope in the colour black

## Anchorage

Galvanized steel base plates

## Comments

The impact area must have impact absorbing properties belonging to the specified free height of fall. The obstacle-free zone shall be completely free of obstacles.



**Opvangzone**  
Impact area

WAS, Dutch law

EN1176

**Obstakelvrije zone**  
Obstacle free zone

WAS, Dutch law

EN1176

