



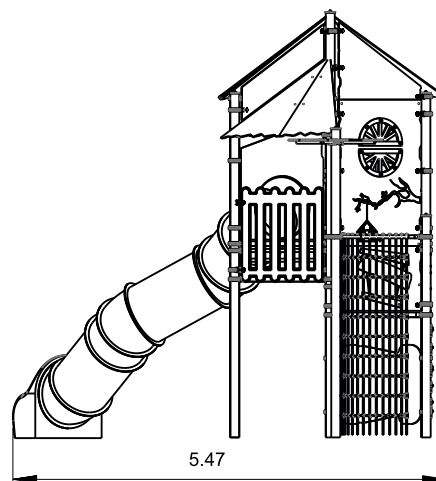
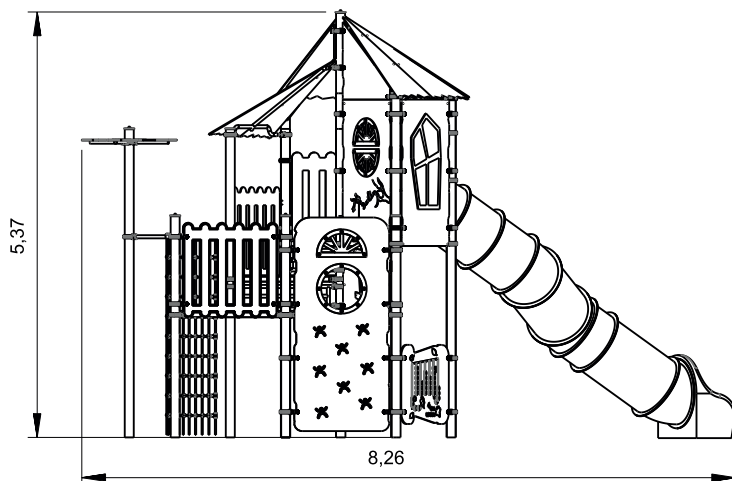
# SANDVIK PLAY

## ABUDA 7

14-ELFLOR012



91m <sup>2</sup>	2,55m	4-14	14


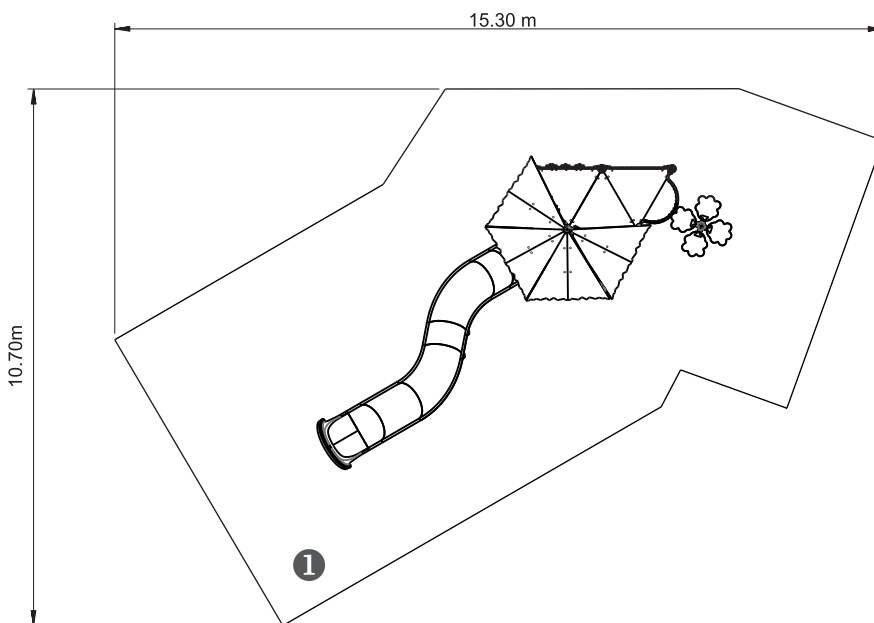



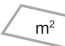
Utilização do equipamento sujeito a condições vigiadas; Zona de segurança: Área mínima requerida pela norma EN 1176-1,6  
Utilización del equipo sujeto a condiciones vigiladas; Zona de seguridad: Área mínima requerida por la norma EN 1176-1,6  
Use of equipment subject to supervised conditions; Safety zone: Minimum area required by EN 1176-1,6  
Utilisation d'équipement soumis à des conditions supervisées; Zone de sécurité: Surface minimale requise par l'EN 1176-1,6



— Zona de impacto  
 - - Espaço livre

EN 1176-1,3

.....	①
	2.55
	91
m <sup>2</sup>	91

1.05m<sup>3</sup>



12h




2x



KG

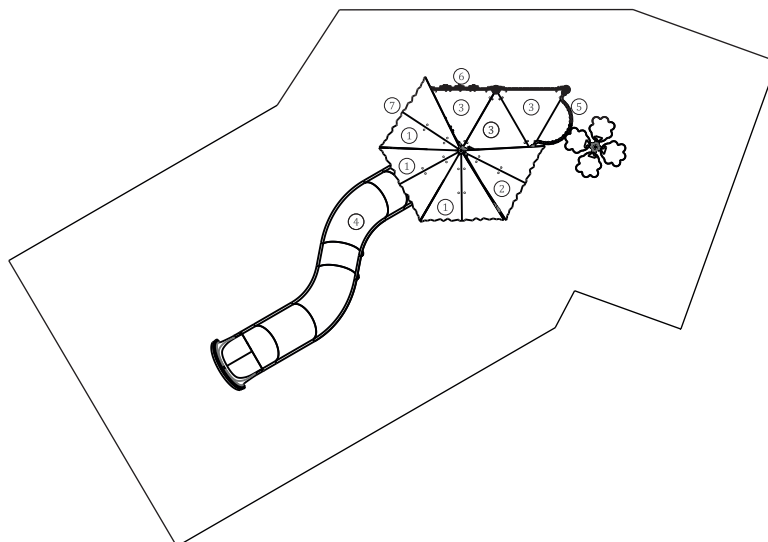


KG



INFORMAÇÃO TÉCNICA / INFORMACIÓN TÉCNICA / TECHNICAL INFORMATION / INFORMATIONS TECHNIQUES

- 1 - Torre Telhado  2.50
- 2 - Torre Telhado  2.05m
- 3 - Torre Simples  1.60m
- 4 - Escorrega  2.50m
- 5 - Escalada Rede  2.55m
- 6 - Escalada  1.60m
- 7 - Jogo 4 em Linha





Panels

HDPE: High density polyethylene mono or two color. Being a polymer is characterized by its resistance to chemicals and corrosion. Due to its elasticity and lightness, it offers high impact resistance and is very difficult to break. The non-slip surface provides safety for children and its synthetic base prevents the growth of bacteria and fungi. It does not require any maintenance;

Acrylic: composed of 70% conifer fibers and 30% thermosetting resin, resistant to the elements (sun, rain, humidity, etc.);

Slide Tunnel: PRFV – Composite material, of polymer matrix and coated with glass fiber;

Netting: reinforced Ø16mm ropes made of polypropylene fiber-coated steel, HDPE plastic fastening and attachment accessories with U.V. protection, hot-dip galvanized steel fastening elements;

Marine plywood: non-slip, bonded with weather resistant phenol resins and UV rays. in accordance with standards EL 314-2 / class 3 (DIN 68 TS TCIL3: BFU 100, BS 6566 PART 8: WBP);

Metal pieces

Tubes:

Stainless Steel: AISI 304 Ø40mm and Ø114mm;

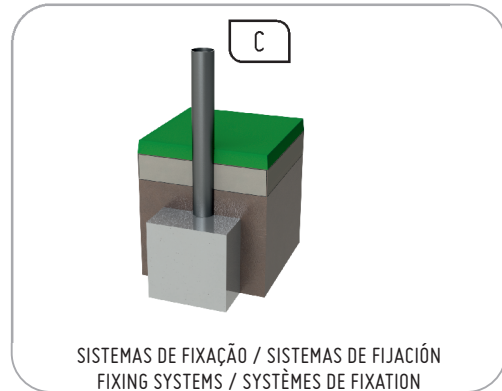
Fixation System:

Type C – Standard fixing system composed of plumbing applied directly to the ground and cast with concrete;

Screws and accessories

Screws: Zinc-plated steel or optionally AISI 304 stainless steel;

Capsules: PP polypropylene plastic;



FUNÇÕES LÚDICAS/ FUNCIONES LÚDICAS / RECREATIONAL FUNCTIONS / FONCTIONS RÉCRÉATIVES



**Have fun:** While having fun, children acquire immense physical abilities to social interactions.



**Socializing:** Socialization and imagination are necessary throughout the game. All this creates a relationship between children and awakens the sense of coexistence and solidarity.



**Play:** Develops patience, sharing and sporting spirit.



**Climb:** It develops children's motor skills, body control, balance and coordination, stimulating motor ability and strength in movements.



**Sliding:** The sloping surface allows the child to slide at high speed. The sensation of speed makes you feel alive and learn to control your movements by exercising reflexes and motor skills.